

# *Alias*



## **eleven high back - 863**

Two-seater sofa with die-cast aluminium legs and steel frame. Seat cushion, back and arms in polyurethane covered with fabric. Panels covered with fabric.



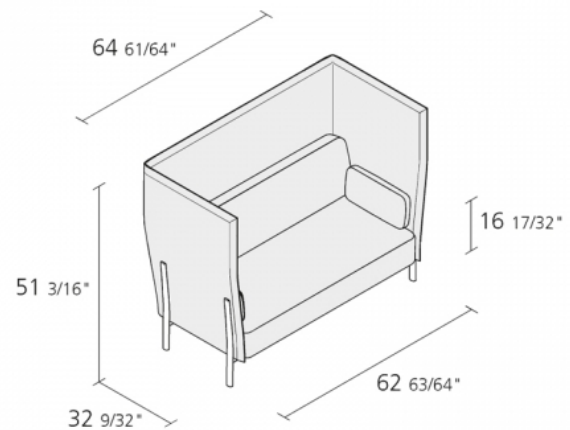
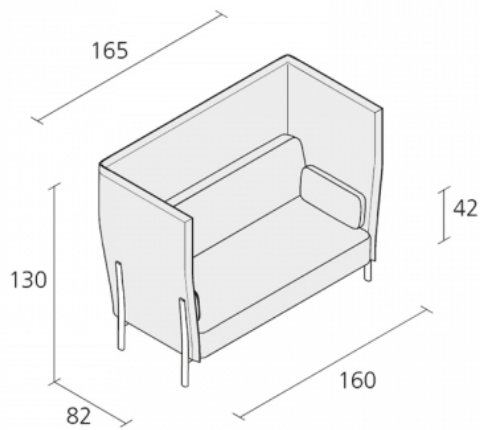


design  
PearsonLloyd

Compact volumes. Essential clean-cut lines. One distinctive central feature: aluminium leg to which back and armrests cushions are anchored. Upholstered products enter the Alias world with a technological spirit in keeping with the personality of the brand. A system of one, two and three-seater sofa elements designed by PearsonLloyd, the angular elegance of eleven provides the ideal solution for both domestic interiors and communal spaces.

The slender legs, produced in cast aluminium and enamelled in various colours, are the unmistakable feature of each seating element in the eleven collection. The steel frame is strung with elastic webbing to guarantee maximum comfort and supports the seat, back and armrests cushions, which are formed in varying densities of polyurethane. Upholstery is available in fabric or leather with a wide variety of colours and materials to choose from. Alias suggests a selection of possible frame finish and upholstery combinations, providing contemporary inspirations to enhance this design project.

## Dimension




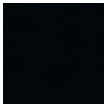

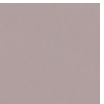


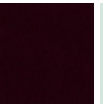

Year warranty: 0 years  
Production time: 0 weeks



## Gallery



## Finiture

<b>aluminium</b>	
<b>stove enamelled aluminium</b>	      
<b>fabrics Kvadrat® H</b>	Hot Pause
<b>fabrics Kvadrat® S</b>	Steelcut Steelcut Trio
<b>fabrics Camira® C</b>	Urban Plus Xtreme Plus