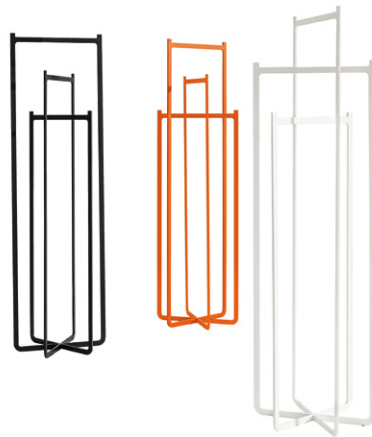


## CLIP COAT HANGER

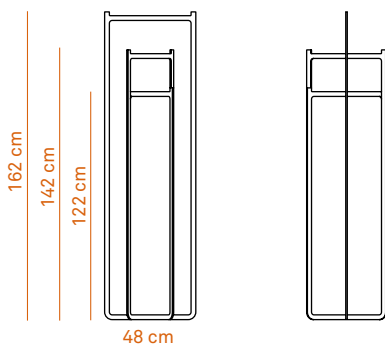
Designer Nendo



Appendiabiti in lamiera di metallo tagliata a laser,  
saldata e verniciata, varie finiture.

Coat hanger in laser-cut, welded and varnished metal.  
Various finishes.

### DIMENSIONI / DIMENSIONS



### FINITURE STRUTTURA / STRUCTURE FINISHES

Metallo  
Metal



GB



GN



GT



G06