
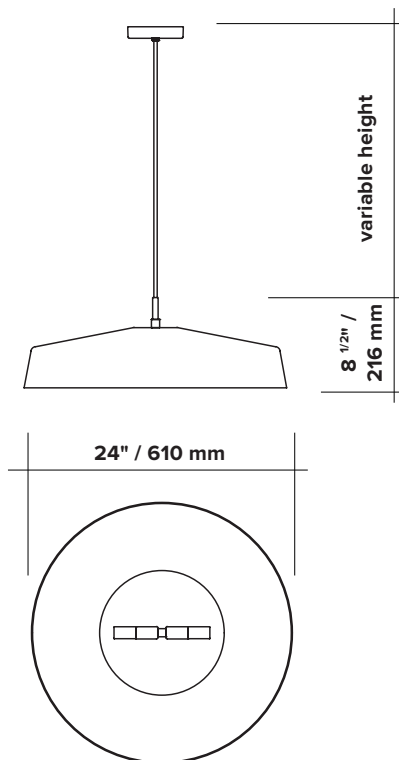


CLIFF DOME



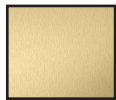
type	suspension
materials	shade : powder coated aluminium hardware : brass disc : brass lamp tube : frosted glass (x2) wire: nylon canopy : powder coated steel
wire length	120" / 3048 mm
weight	13 lb / 5.8 kg
light bulb	LED (included), 2x 4.5W
sockets	G9
voltage	120V / 240V
dimmer	refer to our recommended list of dimmer models
certifications	
notes	<ul style="list-style-type: none"> - must be installed by an electrician; - additional charges for modifications or for special orders; - lead time between 8-9 weeks; - dimensions are approximate and may vary slightly.



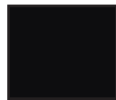
ORDER GUIDE: SKU

<u>COLLECTION</u>	<u>MODEL</u>	<u>FINISH (shade + hardware)</u>
CLI cliff	05	BLBR black shade , brass hardware BLGR black shade , graphite hardware
CLI	05	BLBR = CLI05BLBR <i>example</i>

FINISH



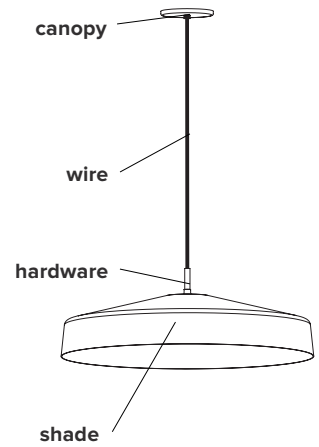
brass



flat black

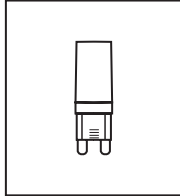


graphite



LIGHT BULB & DIMMER SPECIFICATIONS

G9 SOCKETS



Frosted
4.5W
100V-120V / 240V
450 Lumens
2700 K
25 000 H
CRI ≥80
2 years warranty

SPHERES



tube \varnothing 1" / 27 mm
length \pm 2" / 60 mm



DIMMER LIST COMPATIBILITY FOR G9 LED BULBS – 120V

The dimming technology offering the best results is ELV (electronic low voltage) dimmers with reverse phase or trailing edge control.

<u>DIMMER BRAND</u>	<u>MODEL NUMBER</u>	<u>MAX LEVEL</u>	<u>MIN LEVEL</u>	<u>FLICKERING</u>	<u>OVERALL QUOTE</u>
LUTRON - MAESTRO	MAELV-600	100%	0%	0%-10%	good
LUTRON - SKYLARK	SELV-300P	100%	0%	no	very good
LUTRON - SKYLARK	SELV-303P	100%	0%	no	very good
LUTRON - SKYLARK	CTELV-303P	100%	0%	no	very good
LUTRON - DIVA	DVELV-300P	100%	0%	no	very good
LEGRAND - ADORNE	TRUE UNIVERSAL	100%	30%	no	good

DIMMER LIST COMPATIBILITY FOR G9 LED BULBS – 230V

<u>DIMMER BRAND</u>	<u>MODEL NUMBER</u>	<u>MAX LEVEL</u>	<u>MIN LEVEL</u>	<u>FLICKERING</u>	<u>OVERALL QUOTE</u>
VARILIGHT	V-PRO	100%	2%	no	very good
LEGRAND - NILOÉ	3 996 35	87%	15%	no	good
NIKO	310-0280X	94%	5%	no	very good
NIKO	310-0190X	100%	1%	no	very good

*Other dimmers can yield good results and we recommend conducting your own test before final installation.