



**IN BETWEEN TABLE SK3**

BY SAMI KALLIO  
2014



# IN BETWEEN TABLE SK3

BY SAMI KALLIO  
2014

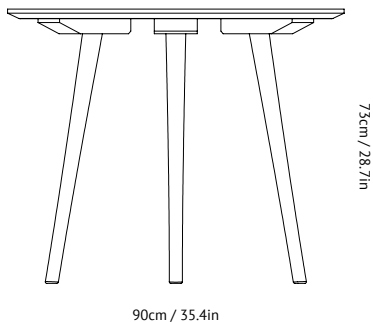
The In Between chair was the first chair to be added to the &tradition stable of furniture and Kallio has reinterpreted certain aspects of the chair in the creation of the table. The curvature of the circular table is for example reminiscent of the negative space in the form of the chair's back rest. Similarly the angles of the legs of the table reflect the angles of the chair legs.

The table legs were created using woodturning, a traditional technique that uses a lathe to shape wood. For &tradition a connection to the past is an essential component for any item in the collection. "Wood turning is a result of my love for Scandinavian heritage and traditional wood crafting," says Kallio, "there is a satisfaction that comes from using old techniques."

The materials used for the table further solidify a link to the past. The solid oak used is a sturdy, reliable wood that is steeped in Scandinavian heritage. "Oak is a good long-lasting material that people can easily relate to," says Kallio.

Although some of the manufacturing processes are traditional, the table still comes disassembled as a flatpack, addressing ease of transport in a modern world.

Furthermore, the shape of the table has been chosen to address issues within modern interiors. Its round shape means it must be brought away from walls, therefore taking an active role in any room. The circular form of the table also means that interaction when sat at the table is a more intimate and egalitarian affair.



<b>Product type</b>	Dinning table.
<b>Production Process</b>	The In Between table is built from solid oak and treated with either lacquer or oil.
<b>Environment</b>	Indoor.
<b>Dimensions ( cm / in )</b>	Ø: 90cm/35.4in, H: 73cm/28.7in. (The table also comes in Ø: 120cm)
<b>Weight ( kg )</b>	20kg.
<b>Materials</b>	Solid oak.
<b>Colours</b>	White oiled oak. Smoked oiled oak. Black stained oak (RAL 9005).
<b>Cleaning Instructions</b>	Please download our Material Care & Cleaning Instructions through <a href="http://www.andtradition.com">www.andtradition.com</a>
<b>Package Dimensions (cm / in)</b>	H: 8.0cm/3.1in x W: 95.0cm/37.4in x D: 95.0cm/37.4in.



**IN BETWEEN TABLE SK4**

**BY SAMI KALLIO  
2014**



# IN BETWEEN TABLE SK4

BY SAMI KALLIO  
2014

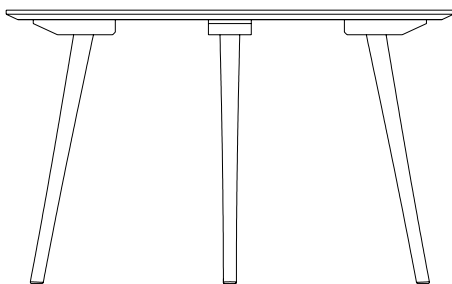
The In Between chair was the first chair to be added to the &tradition stable of furniture and Kallio has reinterpreted certain aspects of the chair in the creation of the table. The curvature of the circular table is for example reminiscent of the negative space in the form of the chair's back rest. Similarly the angles of the legs of the table reflect the angles of the chair legs.

The table legs were created using woodturning, a traditional technique that uses a lathe to shape wood. For &tradition a connection to the past is an essential component for any item in the collection. "Wood turning is a result of my love for Scandinavian heritage and traditional wood crafting," says Kallio, "there is a satisfaction that comes from using old techniques."

The materials used for the table further solidify a link to the past. The solid oak used is a sturdy, reliable wood that is steeped in Scandinavian heritage. "Oak is a good long-lasting material that people can easily relate to," says Kallio.

Although some of the manufacturing processes are traditional, the table still comes disassembled as a flatpack, addressing ease of transport in a modern world.

Furthermore, the shape of the table has been chosen to address issues within modern interiors. Its round shape means it must be brought away from walls, therefore taking an active role in any room. The circular form of the table also means that interaction when sat at the table is a more intimate and egalitarian affair.



H: 73cm / 28.7in

Ø: 120cm / 47.2in

<b>Product type</b>	Dinning table.
<b>Production Process</b>	The In Between table is built from solid oak and treated with either lacquer or oil.
<b>Environment</b>	Indoor.
<b>Dimensions ( cm / in )</b>	Ø: 120cm/47.2in, H: 73cm/28.7in. (The table also comes in Ø: 90cm)
<b>Weight ( kg )</b>	32kg.
<b>Materials</b>	Solid oak.
<b>Colours</b>	White oiled oak. Smoked oiled oak. Black stained oak (RAL 9005).
<b>Strength, Durability and Safety Testing</b>	The In Between table SK4 is tested for strength, durability and safety according to EN 15373 Level 2 - General contract use.
<b>Cleaning Instructions</b>	Please download our Material Care & Cleaning Instructions through <a href="http://www.andtradition.com">www.andtradition.com</a>
<b>Package Dimensions (cm / in)</b>	H: 8.0cm/3.1in x W: 125.0cm/49.2in x D: 125.0cm/49.2in.