

CRADLE

DESIGN Neri & Hu
YEAR 2017

arflex

STRUCTURE : Metal.

FRAME UPHOLSTERY : Moulded polyurethane foam / polyester slip cover.

SEAT CUSHION UPHOLSTERY : Shaped polyurethane with differentiated density / polyester slip cover.

BACKREST AND ARMREST CUSHIONS UPHOLSTERY : Polyester fiber, cover in polyester fiber and cotton.

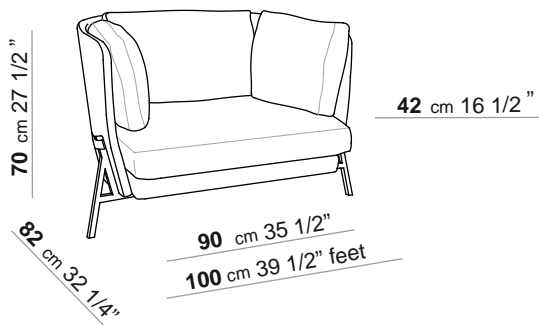
FEET : Black lacquered metal and protective nylon glides.

BELT : Black, natural or testa di moro cow-hide.

COVER : Fabric. Not removable cover.



MEASURES



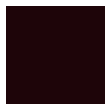
Weight : 34,0 kg (approximate weight)

FINISHING

BELT



black

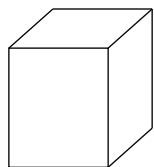


testa di moro



natural

PACKING



Measures : L 114 x D. 92 x H. 80

Weight : 37,0 kg (approximate weight)

Volume : 0,84 m³

CONTACT US

arflex.com
arflex.com/products/armchairs/cradle
info@arflex.it
Tel +39 0362 853043
fax +39 0362 354010