

Designed by GamFratesi

PRODUCT



COLORS

SAMPLE PICTURES

// Black



// Brass



// Black Chrome



Fully upholstered



Unupholstered



Seat upholstered



Front upholstered



DESCRIPTION

The BEETLE Chair Collection is a chair series in laminated moulded veneer with seat and back in 2 separate parts. The 2 parts are joined together with a steel fitting milled into the 2 shells. The shells are 10 mm thick. The chair is always fully upholstered in fabric or leather. Or unupholstered // seat/front upholstered PP-plastic seat

VERSION - FULLY UPHOLSTERED

RAL codes are indicative.

- Fully upholstered in fabric/leather / Black painted base // - / RAL 9005, gloss level 3-5
- Fully upholstered in fabric/leather / Black chrome base
- Fully upholstered in fabric/leather / Brass base

VERSION - PLASTIC SHELL + FRONT/SEAT UPHOLSTERY

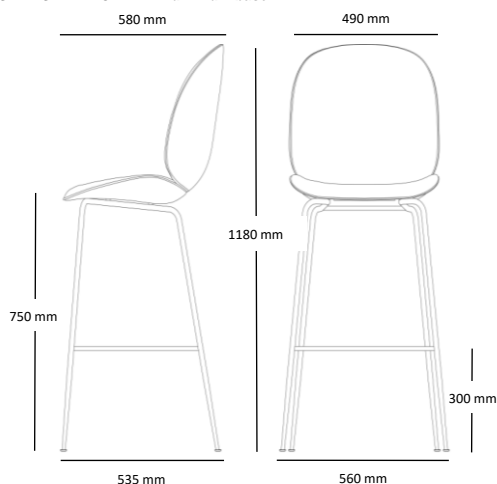
RAL codes are indicative.

- Plastic shell in Dark pink - unupholstered or seat/front upholstered in fabric/leather // RAL 020 20 20
- Plastic shell in Green - unupholstered or seat/front upholstered in fabric/leather // RAL 180 20 15
- Plastic shell in Black - unupholstered or seat/front upholstered in fabric/leather // RAL 9005
- Plastic shell in Blue grey - unupholstered or seat/front upholstered in fabric/leather // PAN 7545C
- Plastic shell in New beige - unupholstered or seat/front upholstered in fabric/leather // RAL 075 60 30 D2.15.55
- Plastic shell in White - unupholstered or seat/front upholstered in fabric/leather // RAL 9010
- Base in Black painted / Black Chrome / Brass // RAL 9005 gloss level 3-5 / - / -

CHAIR VERSION

Order item - look for part number in the pricelist.
The series consists of the following:

- BEETLE CHAIR - Steel base with conical legs
- BEETLE CASTER CHAIR - Steel base with castors
- BEETLE BAR CHAIR 75CM - Steel base with conical legs
- BEETLE COUNTER CHAIR 65CM - Steel base with conical legs
- BEETLE OTTOMAN - Steel base with conical legs
- BEETLE BAR STOOL 75 CM - Steel base with conical legs
- BEETLE COUNTER STOOL 65 CM - Steel base with conical legs
- BEETLE DINING STOOL 45 CM - Steel base with conical legs
- BEETLE SOFA - Steel base with conical legs
- BEETLE CASTED SWIVEL CHAIR - Aluminium base



FACTS

MEASUREMENT - L x W x H mm

Sitting height: 750 mm
Seat width: 490 mm
Seat depth: 405 mm
Seat height: 800 mm
Back height: 430 mm
Chair width: 560 mm
Chair depth: 580 mm
Chair height: 1180 mm
Shell thickness: 10 mm
Frame thickness: Ø16 - Ø10 mm
Front upholstered: 20 mm

WEIGHT ITEM

Fully Upholstered: 11,1 kg
Unupholstered: 8,3 kg
Seat upholstered: 9,4 kg
Front upholstered: 10,6 kg

PACKAGING TYPE

Cardboard box, foam, plastic bag

PACKAGING MEASUREMENT - L x W x H CM

L:54 x W:55 x H:120 cm

WEIGHT PACKAGING - MATERIAL TYPE

- Delivery note: 5 g
- Cardboard box, FEFCO quality EB85BB: 3800 g
- Polybag PE: 200 g
- LD-EPE foam protector: 100 g
- Strapping: 10 g

WEIGHT TOTAL: Upholstered // Un-upholstered // Seat upholstered // Front upholstered
15,3 kg // 12,5 kg // 13,6 kg // 14,8 kg

NUMBER OF PARCELS

1 pcs.

UPHOLSTERING - W X L

- Chair and piping same fabric: 140 cm x 1,54 m
- Chair fabric: 140 cm x 1,33 m
- Fabric piping: 140 cm x 0,21 m
- Chair leather: 2,88 m²
- Leather piping: 0,26 m²
- HR5050, 190 N, 50 kg/m³, 20 mm
- HR3010, 45 N, 30 kg/m³, 15 mm
- HR3737, 140 N, 36 kg/m³, 5 mm
- Seat (1pcs): 140 cm x 0,64 m
- Seat (2+pcs): 140 cm x 0,36 m
- Seat leather: 0,67 m²
- Front (1pcs): 140 cm x 0,71 m
- Front (2+pcs): 140 cm x 0,62 m
- Front leather: 1,39 m²

Designed by GamFratesi

ACCESSORIES

- PLASTIC GLIDES ARE STANDARD.
- FELT GLIDES ON REQUEST.

CLEANING AND MAINTENANCE

For cleaning the upholstered surface, first try to brush off the dirt gently. If this is not enough then vacuum the surface.

If further cleaning of the upholstery is needed, a stain remover is recommended. The cleaning has to be gentle and must always be tested on the most invisible area of the surface before the actual cleaning. Avoid blotches by gentle, circular rubbing towards the stain.

To avoid stains, quickly remove the dirt with a piece of absorbing household wipe and clean with water and colourless washing-up liquid.

Do not use the following products for the padding:

- Undiluted cleaning liquids.
- Bleach.
- Ammoniac.
- Soap for hard surfaces.

For dusting and light cleaning of the frame use a soft, dry cloth.

For further cleaning of the frame, use a soft cloth that is firmly wrung in clean water for gently wiping the surface, and then immediately use a dry cloth to wipe the surface again.

If more thorough cleaning is necessary, use a mild detergent or washing-up liquid dissolved in water on a firmly wrung cloth to wipe the seat. Afterwards, repeat the process with clean water as described above.

Polish with a soft cloth after wiping.

Do not use materials for maintenance that:

- Contain abrasive agents.
- Are basic, acidiferous or organic.

For the best maintenance of the product, protect it against sunlight and heat, and try to keep it away from moisture, grease and other dirt.

Furthermore, protect the surfaces against sharp objects and other that might scratch.

ENVIRONMENT

Parts can be separated and sorted for recycling.

Disposal of plastic type PP may be done with incineration of waste.

TESTS

Foam is fire retardant according to California Technical Bulletin 117.

Foam according to BS 5852, Crip 5, is available on request

CERTIFICATION AND LABELS

-

BEETLE COUNTER CHAIR 65CM FULLY UPHOLSTERED // STEEL BASE, 4 LEGS CONICAL GAMFRATESI COLLECTION

Designed by GamFratesi

PRODUCT



COLORS

SAMPLE PICTURES

// Black



// Brass



// Black Chrome



Fully upholstered



Front upholstered



Seat upholstered



Unupholstered



DESCRIPTION

The BEETLE Chair Collection is a chair series in laminated moulded veneer with seat and back in 2 separate parts. The 2 parts are joined together with a steel fitting milled into the 2 shells. The shells are 10 mm thick. The chair is always fully upholstered in fabric or leather.
Or unupholstered // seat/front upholstered PP-plastic seat

VERSION - FULLY UPHOLSTERED

RAL codes are indicative.

- Fully upholstered in fabric/leather / Black painted base // - / RAL 9005, gloss level 3-5
- Fully upholstered in fabric/leather / Black chrome base
- Fully upholstered in fabric/leather / Brass base

VERSION - PLASTIC SHELL + FRONT/SEAT UPHOLSTERY

RAL codes are indicative.

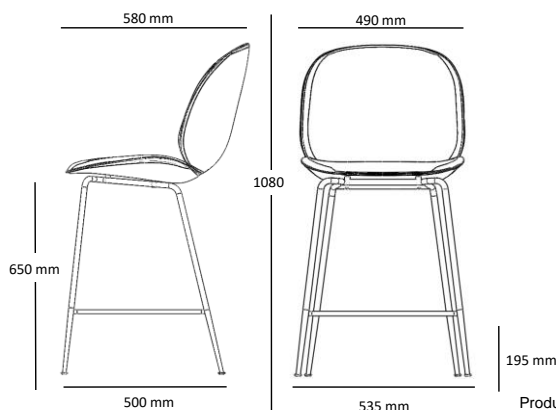
- Plastic shell in Dark pink - unupholstered or seat/front upholstered in fabric/leather // RAL 020 20 20
- Plastic shell in Green - unupholstered or seat/front upholstered in fabric/leather // RAL 180 20 15
- Plastic shell in Black - unupholstered or seat/front upholstered in fabric/leather // RAL 9005
- Plastic shell in Blue grey - unupholstered or seat/front upholstered in fabric/leather // PAN 7545C
- Plastic shell in New beige - unupholstered or seat/front upholstered in fabric/leather // RAL 075 60 30 D2.15.55
- Plastic shell in White - unupholstered or seat/front upholstered in fabric/leather // RAL 9010
- Base in Black painted / Black Chrome / Brass // RAL 9005 gloss level 3-5 / - / -

CHAIR VERSION

Order item - look for part number in the pricelist.

The series consists of the following:

- BEETLE CHAIR - Steel base with conical legs
- BEETLE CASTER CHAIR - Steel base with castors
- BEETLE BAR CHAIR 75CM - Steel base with conical legs
- BEETLE COUNTER CHAIR 65CM - Steel base with conical legs
- BEETLE OTTOMAN - Steel base with conical legs
- BEETLE BAR STOOL 75 CM - Steel base with conical legs
- BEETLE COUNTER STOOL 65 CM - Steel base with conical legs
- BEETLE DINING STOOL 45 CM - Steel base with conical legs
- BEETLE SOFA - Steel base with conical legs
- BEETLE CASTED SWIVEL CHAIR - Aluminium base



FACTS

MEASUREMENT - L x W x H mm

- Sitting height: 650 mm
- Seat width: 490 mm
- Seat depth: 405 mm
- Seat height: 700 mm
- Back height: 490 mm
- Chair width: 540 mm
- Chair depth: 580 mm
- Chair height: 1080 mm
- Shell thickness: 10 mm
- Frame thickness: Ø16 - Ø10 mm
- Front upholstered: 20 mm

WEIGHT ITEM

- Fully Upholstered: 10,5 kg
- Unupholstered: 7,7 kg
- Seat upholstered: 8,8 kg
- Front upholstered: 10 kg

PACKAGING TYPE

Cardboard box

PACKAGING MEASUREMENT - L x W x H CM

L:54 x W:55 x H:110 cm

WEIGHT PACKAGING - MATERIAL TYPE

- Delivery note: 5 g
- Cardboard box, FEFCO quality EB85BB: 3700 g
- Polybag PE: 200 g
- LD-EPE foam protector: 100 g
- Strapping: 10 g

WEIGHT TOTAL: Upholstered // Un-upholstered // Seat upholstered // Front upholstered
14,6 kg // 11,8 kg // 12,9 kg // 14,1 kg

NUMBER OF PARCELS

1 pcs.

UPHOLSTERING - W X L

- Chair and piping same fabric: 140 cm x 1,54 m
- Chair fabric: 140 cm x 1,33 m
- Fabric piping: 140 cm x 0,21 m
- Chair leather: 2,88 m²
- Leather piping: 0,26 m²
- HR5050, 190 N, 50 kg/m³, 20 mm
- HR3010, 45 N, 30 kg/m³, 15 mm
- HR3737, 140 N, 36 kg/m³, 5 mm
- Seat (1pcs): 140 cm x 0,64 m
- Seat (2+pcs): 140 cm x 0,36 m
- Seat leather: 0,67 m²
- Front (1pcs): 140 cm x 0,71 m
- Front (2+pcs): 140 cm x 0,62 m
- Front leather: 1,39 m²

BEETLE COUNTER CHAIR 65CM FULLY UPHOLSTERED // STEEL BASE, 4 LEGS CONICAL GAMFRATESI COLLECTIONDesigned by GamFratesi

ACCESSORIES

- PLASTIC GLIDES ARE STANDARD.
- FELT GLIDES ON REQUEST.

CLEANING AND MAINTENANCE

For cleaning the upholstered surface, first try to brush off the dirt gently. If this is not enough then vacuum the surface.

If further cleaning of the upholstery is needed, a stain remover is recommended. The cleaning has to be gentle and must always be tested on the most invisible area of the surface before the actual cleaning.

Avoid blotches by gentle, circular rubbing towards the stain.

To avoid stains, quickly remove the dirt with a piece of absorbing household wipe and clean with water and colourless washing-up liquid.

Do not use the following products for the padding:

- Undiluted cleaning liquids.
- Bleach.
- Ammoniac.
- Soap for hard surfaces.

For dusting and light cleaning of the frame use a soft, dry cloth.

For further cleaning of the frame, use a soft cloth that is firmly wrung in clean water for gently wiping the surface, and then immediately use a dry cloth to wipe the surface again.

If more thorough cleaning is necessary, use a mild detergent or washing-up liquid dissolved in water on a firmly wrung cloth to wipe the seat. Afterwards, repeat the process with clean water as described above.

Polish with a soft cloth after wiping.

Do not use materials for maintenance that:

- Contain abrasive agents.
- Are basic, acidiferous or organic.

For the best maintenance of the product, protect it against sunlight and heat, and try to keep it away from moisture, grease and other dirt.

Furthermore, protect the surfaces against sharp objects and other that might scratch.

ENVIRONMENT

Parts can be separated and sorted for recycling.

Disposal of plastic type PP may be done with incineration of waste.

TESTS

Foam is fire retardant according to California Technical Bulletin 117.

Foam according to BS 5852, Crip 5, is available on request

CERTIFICATION AND LABELS

-