

Designed by GamFratesi

PRODUCT



COLORS

SAMPLE PICTURES

// Black



// Brass



// Black Chrome



DESCRIPTION

The BEETLE Chair Collection is a chair series in laminated moulded veneer with seat and back in 2 separate parts. The 2 parts are joined together with a steel fitting milled into the 2 shells. The shells are 10 mm thick. The chair is always fully upholstered in fabric or leather.

VERSION - FULLPHOLSTERED

RAL codes are indicative.

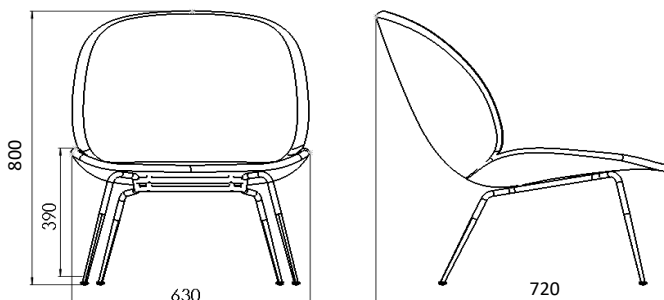
- Fully upholstered in fabric/leather / Black painted base // - / RAL 9005, gloss level 3-5
- Fully upholstered in fabric/leather / Black chrome base
- Fully upholstered in fabric/leather / Brass base

CHAIR VERSION

Order item - look for part number in the pricelist.

The series consists of the following:

- BEETLE CHAIR - Steel base with conical legs
- BEETLE CASTER CHAIR - Steel base with castors
- BEETLE BAR CHAIR 75CM - Steel base with conical legs
- BEETLE COUNTER CHAIR 65CM - Steel base with conical legs
- BEETLE OTTOMAN - Steel base with conical legs
- BEETLE BAR STOOL 75 CM - Steel base with conical legs
- BEETLE COUNTER STOOL 65 CM - Steel base with conical legs
- BEETLE DINING STOOL 45 CM - Steel base with conical legs
- BEETLE SOFA - Steel base with conical legs
- BEETLE CASTED SWIVEL CHAIR - Aluminium base



FACTS

MEASUREMENT - L x W x H mm

- Sitting height: 360 mm
- Seat width: 630 mm
- Seat depth: 510 mm
- Seat height: 400 mm
- Back height: 520 mm
- Chair width: 630 mm
- Chair depth: 720 mm
- Chair height: 800 mm
- Shell thickness: 10 mm
- Frame thickness: Ø16 - Ø10 mm
- Front upholstered: 40 mm

WEIGHT ITEM

12 kg

PACKAGING TYPE

Cardboard box

PACKAGING MEASUREMENT - L x W x H CM

L:64 x W:79 x H:84 cm

WEIGHT PACKAGING - MATERIAL TYPE

- Delivery note: 5 g
- Cardboard box, FEFCO quality EB85BB: 3000 g
- Polybag PE: 200 g
- LD-EPE foam protector: 100 g
- Strapping: 10 g

WEIGHT - TOTAL

15,6 kg

NUMBER OF PARCELS

1 pcs.

UPHOLSTERING - W X L

- Chair and piping same fabric: 140 cm x 3,17 m
- Chair fabric: 140 cm x 2,50 m
- Fabric piping: 140cm x 1,79m
- Chair leather: 4,94 m²
- Leather piping: 0,46 m²
- HR5050, 190 N, 50 kg/m³, 30 mm
- HR3010, 45 N, 30 kg/m³, 25 mm
- HR3737, 140 N, 36 kg/m³, 5 mm

Designed by GamFratesi

PRODUCT



COLORS



Pictures coming soon

Blackstained Beech

Smoked Oak finish

Pictures coming soon

Pictures coming soon

Oak

Walnut



Fully upholstered

DESCRIPTION

Continuing the success of the Beetle Collection, GUBI is adding a wood base to the Beetle Lounge Chair in oak, smoked oak finish and black stained beech.

The Beetle Lounge Chair carries strong references to GamFratesi's inspirational source; the four-legged insect, the beetle. The design of the Beetle Lounge Chair reinterprets the characteristic elements of the beetles' sections: shape, shells, sutures, rigid outside and soft inside.

Adding a wooden base in oak, smoked oak finish and black stained beech gives the Beetle Lounge Chair an authentic look that adds warmth to any interior. With an eye for details, GamFratesi has found the perfect shape where every line and curve have been designed to give the perfect balance to the chair. The new base enables the Beetle Lounge Chair to be featured in new, elegant settings where wood will work as the preferred material.

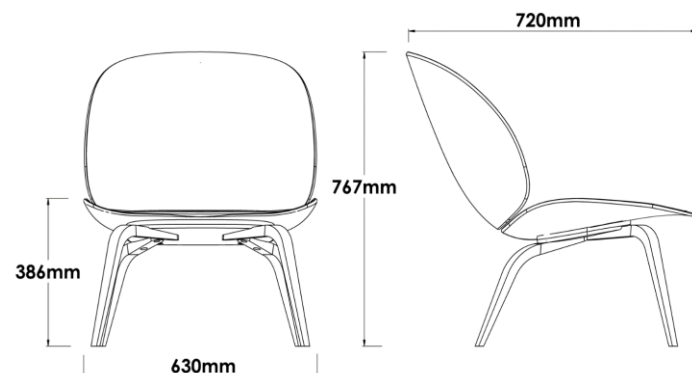
insect, the beetle. The design of the Beetle Lounge Chair reinterprets the characteristic elements of the an authentic look that adds warmth to any interior. With an eye for details, GamFratesi has found the

- Fully upholstered in fabric/leather

- Fully upholstered in fabric/leather

Base: Blackstained beech / Oak / Smoked Oak // gloss level 20 / gloss level 20 / gloss level 5

Order item - look for part number in the pricelist.



FACTS

MEASUREMENT - L x W x H mm

Sitting height: 360 mm

Seat width: 630 mm

Seat depth: 510 mm

Seat height: 400 mm

Back height: 520 mm

Chair width: 630 mm

Chair depth: 720 mm

Chair height: 767 mm

Shell thickness: 10 mm

Front upholstered: 40 mm

WEIGHT ITEM

12 kg

PACKAGING TYPE

Cardboard box

PACKAGING MEASUREMENT - L x W x H CM

L:64 x W:79 x H:84 cm

WEIGHT PACKAGING - MATERIAL TYPE

- Delivery note: 5 g

- Cardboard box, FEFCO quality EB85BB: 3000 g

- Polybag PE: 200 g

- LD-EPE foam protector: 100 g

- Strapping: 10 g

WEIGHT - TOTAL

15,6 kg

NUMBER OF PARCELS

1 pcs.

UPHOLSTERING - W X L

- Chair and piping same fabric: 140 cm x 3,17 m

- Chair fabric: 140 cm x 2,50 m

- Fabric piping: 140cm x 1,79m

- Chair leather: 4,94 m²

- Leather piping: 0,46 m²

HR5050, 190 N, 50 kg/m³, 30 mm

HR3010, 45 N, 30 kg/m³, 25 mm

HR3737, 140 N, 36 kg/m³, 5 mm

PRODUCT



COLORS

SAMPLE PICTURES

// Black



// Polished Aluminium



DESCRIPTION

The BEETLE Chair Collection is a chair series in laminated moulded veneer with seat and back in 2 separate parts. The 2 parts are joined together with a steel fitting milled into the 2 shells. The shells are 10 mm thick. The chair is always fully upholstered in fabric or leather.

VERSION - FULLPHOLSTERED

RAL codes are indicative.

- Fully upholstered in fabric/leather / Black painted base // - / RAL 9005, gloss level 3-5
- Fully upholstered in fabric/leather / Black chrome base
- Fully upholstered in fabric/leather / Brass base

CHAIR VERSION

Order item - look for part number in the pricelist.

The series consists of the following:

- BEETLE CHAIR - Steel base with conical legs
- BEETLE CASTER CHAIR - Steel base with castors
- BEETLE BAR CHAIR 75CM - Steel base with conical legs
- BEETLE COUNTER CHAIR 65CM - Steel base with conical legs
- BEETLE OTTOMAN - Steel base with conical legs
- BEETLE BAR STOOL 75 CM - Steel base with conical legs
- BEETLE COUNTER STOOL 65 CM - Steel base with conical legs
- BEETLE DINING STOOL 45 CM - Steel base with conical legs
- BEETLE SOFA - Steel base with conical legs
- BEETLE CASTED SWIVEL CHAIR - Aluminium base

FACTS

MEASUREMENT - L x W x H mm

- Sitting height: 360 mm
- Seat width: 630 mm
- Seat depth: 510 mm
- Seat height: 400 mm
- Back height: 520 mm
- Chair width: 630 mm
- Chair depth: 720 mm
- Chair height: 800 mm
- Shell thickness: 10 mm
- Frame thickness: Casted Ø15-50
- Front upholstered: 40 mm

WEIGHT ITEM

14,5 kg

PACKAGING TYPE

Cardboard box

PACKAGING MEASUREMENT - L x W x H CM

L:64 x W:79 x H:84 cm

WEIGHT PACKAGING - MATERIAL TYPE

- Delivery note: 5 g
- Cardboard box, FEFCO quality EB85BB: 3000 g
- Polybag PE: 200 g
- LD-EPE foam protector: 100 g
- Strapping: 10 g

WEIGHT - TOTAL

18,5 kg

NUMBER OF PARCELS

1 pcs.

UPHOLSTERING - W X L

- Chair and piping same fabric: 140 cm x 3,17 m
- Chair fabric: 140 cm x 2,50 m
- Fabric piping: 140cm x 1,79m
- Chair leather: 4,94 m²
- Leather piping: 0,46 m²
- HR5050, 190 N, 50 kg/m³, 30 mm
- HR3010, 45 N, 30 kg/m³, 25 mm
- HR3737, 40 N, 36 kg/m³, 5 mm

