

Designed by GamFratesi

PRODUCT



COLORS

SAMPLE PICTURES



DESCRIPTION

The BEETLE Chair Collection is a chair series in laminated moulded veneer with seat and back in 2 separate parts. The 2 parts are joined together with a steel fitting milled into the 2 shells. The shells are 10 mm thick. The chair is always fully upholstered in fabric or leather.

FACTS

VERSION - FULLY UPHOLSTERED

RAL codes are indicative.

- Fully upholstered in fabric/leather / Black painted base // - / RAL 9005, gloss level 3-5

MEASUREMENT - L x W x H mm

Sitting height: 445 mm
 Seat width: 490 mm
 Seat depth: 405 mm
 Seat height: 460 mm
 Back height: 430 mm
 Chair width: 600 mm
 Chair depth: 580 mm
 Chair height: 870 mm
 Shell thickness: 10 mm
 Frame thickness: Ø18 mm
 Front upholstered: 20 mm

CHAIR VERSION

Order item - look for part number in the pricelist.

The series consists of the following:

- BEETLE CHAIR - Steel base with conical legs
- BEETLE CASTER CHAIR - Steel base with castors
- BEETLE BAR CHAIR 75CM - Steel base with conical legs
- BEETLE COUNTER CHAIR 65CM - Steel base with conical legs
- BEETLE OTTOMAN - Steel base with conical legs
- BEETLE BAR STOOL 75 CM - Steel base with conical legs
- BEETLE COUNTER STOOL 65 CM - Steel base with conical legs
- BEETLE DINING STOOL 45 CM - Steel base with conical legs
- BEETLE SOFA - Steel base with conical legs

WEIGHT ITEM

8,60 kg

PACKAGING TYPE

Cardboard box

PACKAGING MEASUREMENT - L x W x H CM

L:55 x W:57 x H:100 cm

WEIGHT PACKAGING - MATERIAL TYPE

- Delivery note: 5 g
- Cardboard box, FEFCO quality EB85BB: 2192 g
- Polybag PE: 200 g
- LD-EPE foam protector: 100 g
- Strapping: 10 g

WEIGHT - TOTAL

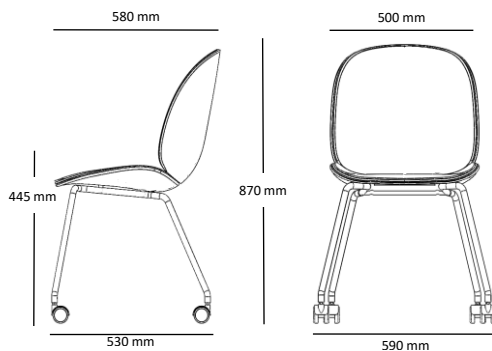
11,1 kg

NUMBER OF PARCELS

1 pcs.

UPHOLSTERING - W X L

- Chair and piping same fabric: 140 cm x 1,54 m
- Chair fabric: 140 cm x 1,33 m
- Fabric piping: 0,21 m²
- Chair leather: 2,88 m²
- Leather piping: 0,26 m²
- HR5050, 190 N, 50 kg/m³, 20 mm
- HR3010, 45 N, 30 kg/m³, 15 mm
- HR3737, 140 N, 36 kg/m³, 5 mm



PRODUCT



COLORS FRAME

// Polished Aluminium



// Black



// White



Fully upholstered



Unupholstered



Seat upholstered



Front upholstered



DESCRIPTION

The BEETLE Chair Collection is a chair series fully upholstered in laminated moulded veneer with seat and back in 2 separate parts. The 2 parts are joined together with a steel fitting milled into the 2 shells. The shells are 10 mm thick. The chair is fully upholstered in fabric or leather. Or unupholstered // seat/front upholstered PP-plastic seat

VERSION - FULLY UPHOLSTERED

RAL codes are indicative.

- Fully upholstered in fabric/leather / Black painted base // - / RAL 9005, gloss level 3-5
- Fully upholstered in fabric/leather / White painted base // - / RAL 9010, gloss level 30
- Fully upholstered in fabric/leather / Polished aluminium base with black painted column

VERSION - PLASTIC SHELL + FRONT/SEAT UPHOLSTERY

RAL codes are indicative.

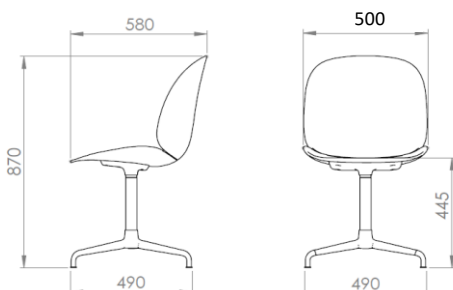
- Plastic shell in Dark pink - unupholstered or seat/front upholstered in fabric/leather // RAL 020 20 20
- Plastic shell in Green - unupholstered or seat/front upholstered in fabric/leather // RAL 180 20 15
- Plastic shell in Black - unupholstered or seat/front upholstered in fabric/leather // RAL 9005
- Plastic shell in Blue grey - unupholstered or seat/front upholstered in fabric/leather // PAN 7545C
- Plastic shell in New beige - unupholstered or seat/front upholstered in fabric/leather // RAL 075 60 30 D2.15.55
- Plastic shell in White - unupholstered or seat/front upholstered in fabric/leather // RAL 9010
- Base in Black / White / Polished aluminium // RAL 9005 gloss lvl. 3-5 / RAL 9010 gloss lvl. 30 / -

CHAIR VERSION

Order item - look for part number in the pricelist.

The series consists of the following:

- BEETLE CHAIR - Steel base with conical legs
- BEETLE CASTER CHAIR - Steel base with castors
- BEETLE BAR CHAIR 75CM - Steel base with conical legs
- BEETLE COUNTER CHAIR 65CM - Steel base with conical legs
- BEETLE OTTOMAN - Steel base with conical legs
- BEETLE BAR STOOL 75 CM - Steel base with conical legs
- BEETLE COUNTER STOOL 65 CM - Steel base with conical legs
- BEETLE DINING STOOL 45 CM - Steel base with conical legs
- BEETLE SOFA - Steel base with conical legs



FACTS

MEASUREMENT - L x W x H mm

- Sitting height: 445 mm
- Seat width: 490 mm
- Seat depth: 405 mm
- Seat height: 460 mm
- Back height: 430 mm
- Chair width: 500 mm
- Chair depth: 580 mm (550mm for plastic seat)
- Chair height: 870 mm
- Shell thickness: 10 mm
- Frame thickness: Casted Ø15-50
- Front upholstered: 20 mm

WEIGHT ITEM

- Fully Upholstered: 10,20 kg
- Unupholstered: 7,40 kg
- Seat upholstered: 8,50 kg
- Front upholstered: 9,70 kg

PACKAGING TYPE

Cardboard box

PACKAGING MEASUREMENT - L x W x H CM

L:59 x W:63 x H:92 cm

WEIGHT PACKAGING - MATERIAL TYPE

- Delivery note: 5 g
- Cardboard box, FEFCO quality EB85BB: 3600 g
- Polybag PE: 200 g
- LD-EPE foam protector: 100 g
- Strapping: 10 g

WEIGHT TOTAL: Upholstered // Un-upholstered // Seat upholstered // Front upholstered
14,1 kg // 11,3 kg // 12,4 kg // 13,6 kg

NUMBER OF PARCELS

1 pcs.

UPHOLSTERING - W X L

- Chair and piping same fabric: 140 cm x 1,54 m
- Chair fabric: 140 cm x 1,33 m
- Fabric piping: 140 cm x 0,21 m
- Chair leather: 2,88 m²
- Leather piping: 0,26 m²
- Seat (1pcs): 140 cm x 0,64 m
- Seat (2+pcs): 140 cm x 0,36 m
- Seat leather: 0,67 m²
- Front (1pcs): 140 cm x 0,71 m
- Front (2+pcs): 140 cm x 0,62 m
- Front leather: 1,39 m²

- HR5050, 190 N, 50 kg/m³, 20 mm
- HR3010, 45 N, 30 kg/m³, 15 mm
- HR3737, 140 N, 36 kg/m³, 5 mm

PRODUCT



COLORS FRAME

// Polished Aluminium



// Black

// White



Fully upholstered

Unupholstered



Seat upholstered

Front upholstered



DESCRIPTION

The BEETLE Chair Collection is a chair series fully upholstered in laminated moulded veneer with seat and back in 2 separate parts. The 2 parts are joined together with a steel fitting milled into the 2 shells. The shells are 10 mm thick. The chair is fully upholstered in fabric or leather. Or unupholstered // seat/front upholstered PP-plastic seat

VERSION - FULLY UPHOLSTERED

RAL codes are indicative.

- Fully upholstered in fabric/leather / Black painted base // - / RAL 9005, gloss level 3-5
- Fully upholstered in fabric/leather / White painted base // - / RAL 9010, gloss level 30
- Fully upholstered in fabric/leather / Polished aluminium base with black painted column

VERSION - PLASTIC SHELL + FRONT/SEAT UPHOLSTERY

RAL codes are indicative.

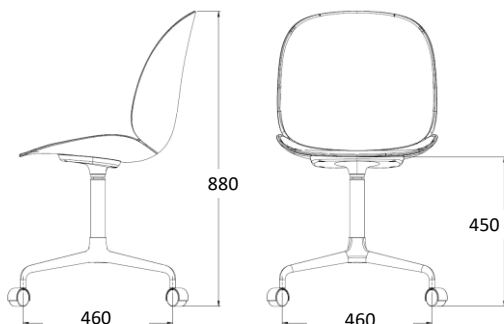
- Plastic shell in Dark pink - unupholstered or seat/front upholstered in fabric/leather // RAL 020 20 20
- Plastic shell in Green - unupholstered or seat/front upholstered in fabric/leather // RAL 180 20 15
- Plastic shell in Black - unupholstered or seat/front upholstered in fabric/leather // RAL 9005
- Plastic shell in Blue grey - unupholstered or seat/front upholstered in fabric/leather // PAN 7545C
- Plastic shell in New beige - unupholstered or seat/front upholstered in fabric/leather // RAL 075 60 30 D2.15.55
- Plastic shell in White - unupholstered or seat/front upholstered in fabric/leather // RAL 9010
 - Base in Black / White / Polished aluminium // RAL 9005 gloss lvl. 3-5 / RAL 9010 gloss lvl. 30 / -

CHAIR VERSION

Order item - look for part number in the pricelist.

The series consists of the following:

- BEETLE CHAIR - Steel base with conical legs**
- BEETLE CASTER CHAIR - Steel base with castors**
- BEETLE BAR CHAIR 75CM - Steel base with conical legs**
- BEETLE COUNTER CHAIR 65CM - Steel base with conical legs**
- BEETLE OTTOMAN - Steel base with conical legs**
- BEETLE BAR STOOL 75 CM - Steel base with conical legs**
- BEETLE COUNTER STOOL 65 CM - Steel base with conical legs**
- BEETLE DINING STOOL 45 CM - Steel base with conical legs**
- BEETLE SOFA - Steel base with conical legs**



FACTS

MEASUREMENT - L x W x H mm

- Sitting height: 450 mm
- Seat width: 490 mm
- Seat depth: 405 mm
- Seat height: 460 mm
- Back height: 430 mm
- Chair width: 500 mm
- Chair depth: 580 mm (550mm for plastic seat)
- Chair height: 880 mm
- Shell thickness: 10 mm
- Frame thickness: Casted Ø15-50
- Front upholstered: 20 mm

WEIGHT ITEM

- Fully Upholstered: 10,35 kg
- Unupholstered: 7,55 kg
- Seat upholstered: 8,65 kg
- Front upholstered: 9,85 kg

PACKAGING TYPE

Cardboard box

PACKAGING MEASUREMENT - L x W x H CM

L:59 x W:63 x H:92 cm

WEIGHT PACKAGING - MATERIAL TYPE

- Delivery note: 5 g
- Cardboard box, FEFCO quality EB85BB: 3600 g
- Polybag PE: 200 g
- LD-EPE foam protector: 100 g
- Strapping: 10 g

WEIGHT TOTAL: Upholstered // Un-upholstered // Seat upholstered // Front upholstered
14,25 kg // 11,45 kg // 12,55 kg // 13,75 kg

NUMBER OF PARCELS

1 pcs.

UPHOLSTERING - W X L

- Chair and piping same fabric: 140 cm x 1,54 m
 - Chair fabric: 140 cm x 1,33 m
 - Fabric piping: 140 cm x 0,21 m
 - Chair leather: 2,88 m²
 - Leather piping: 0,26 m²
 - Seat (1pcs): 140 cm x 0,64 m
 - Seat (2+pcs): 140 cm x 0,36 m
 - Seat leather: 0,67 m²
 - Front (1pcs): 140 cm x 0,71 m
 - Front (2+pcs): 140 cm x 0,62 m
 - Front leather: 1,39 m²
- HR5050, 190 N, 50 kg/m³, 20 mm
HR3010, 45 N, 30 kg/m³, 15 mm
HR3737, 140 N, 36 kg/m³, 5 mm