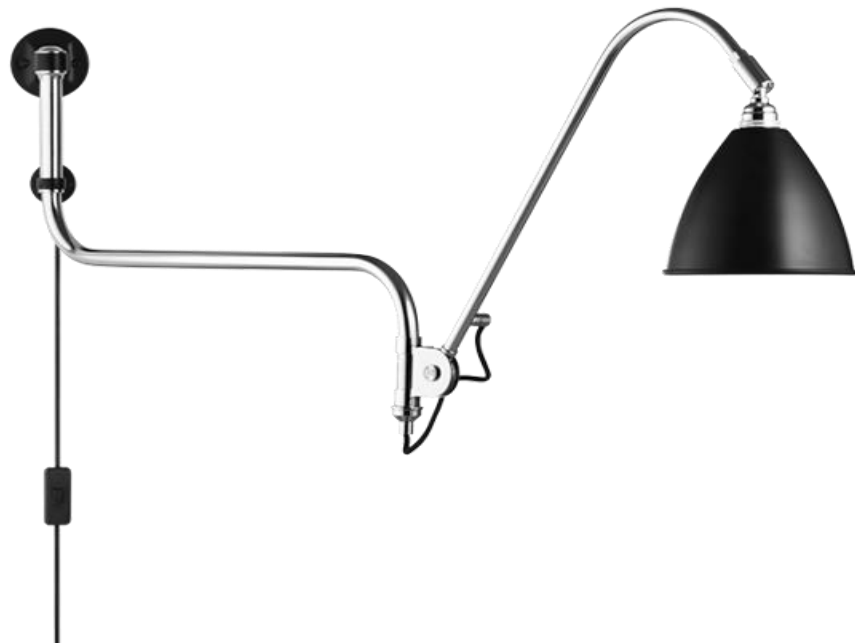


Designed by Robert Dudley Best

PRODUCT



COLOURS



// Black / Chrome



// Off-White / Chrome



// White / Chrome

DESCRIPTION

Bestlite has been in continuous production since 1930. Robert Dudley Best created Bestlite design. He was highly influenced by the Bauhaus. In the past 80 years, people Appreciated the lamps and it decorates many homes, hotels and restaurants worldwide. Loved by architects, designers and design aficionados throughout its 80-year history, today, Bestlite enjoys global iconic status.

VERSION - BESTLITE WALL LAMP BL10

Shade, base and cord: Black, White or Off-White
Tube and arm: Chrome

Colour codes are indicative.

- Fabric wire, switch and plug - Black:
- Black / White inside // RAL 9005 / RAL 9003 // Gloss level 15 / Gloss level 20
- Fabric wire, switch and plug - Off-White
- Off-White / White inside // RAL 1015 / RAL 9003 // Gloss level 20 / Gloss level 20
- Fabric wire, switch and plug - White:
- White / White inside // RAL 9003 / RAL 9003 // Gloss level 15 / Gloss level 20

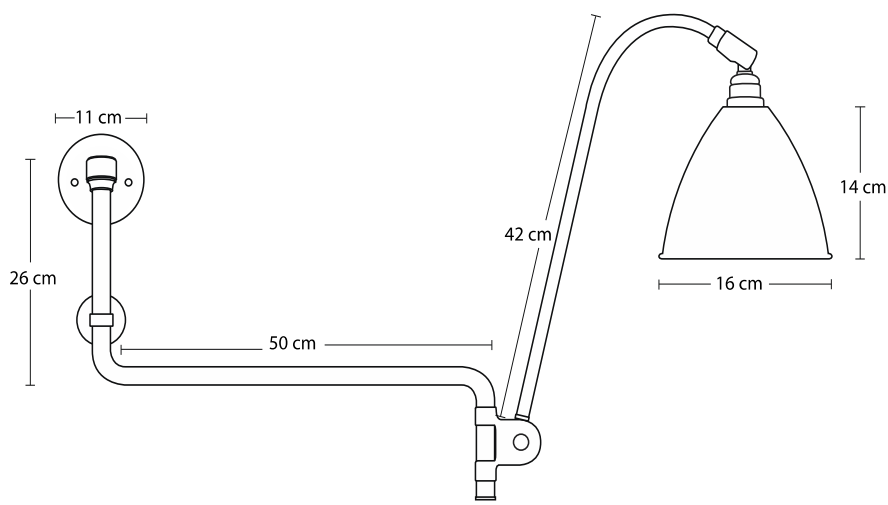
Please contact us for other colours or finishes.

VERSION

Order item - look for part number in the pricelist.

Series contains the following:

BL5, BL6, BL7, BL10



FACTS

MEASUREMENT - L X W X H inches

Lamp height: 45.7 inches

Tube length: 24.4 inches

Shade height: 5.5 inches

Shade diameter: 6.3 inches

Cord: App. 78.7 inches

WEIGHT ITEM - LAMP INCL. WIRE

4.2 lbs

PACKAGING TYPE

Cardboard box

PACKAGING MEASUREMENT - L X W X H inches

L: 15.7 x W: 28.9 x H: 8.7 inches

WEIGHT PACKAGING - MATERIAL TYPE

- Paper Egg crate: 2.2 lbs

- Screws: 0.2 oz

- PE polybag: 0.1 oz

- Bestlite key: 0.6 oz

- PE polybag: 0.04 oz

- PE polybag: 2.1 oz

- Cardboard outside: 1.8 lbs

- Cardboard top: 3.7 oz

WEIGHT PACKAGING - TOTAL

8.7 lbs

NUMBER OF PARCELS

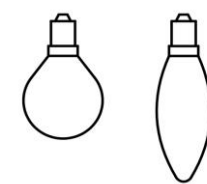
1 pcs.

LIGHT SOURCE:

- Socket: E12 base

- Bulb types recommended:

- Recommended light sources:



Halogen light bulb

- Recommended wattage: 30 W

- Max wattage: 30 W

All fluorescens light bulbs

- Recommended wattage: 9 W

- Max wattage: 13 W

- Max. light out put for above lamps:

450 Lumens ≈ (40 WATT incandescent bulbs)

- All lamps can be fitted with a dimmer -

Please contact your local electrician.

- Lightbulb not included

BESTLITE BL10 // WALL LAMP, CORD WITH SWITCH, US MODEL

BESTLITE COLLECTION

Designed by Robert Dudley Best

CLEANING AND MAINTENANCE

Use a soft damp cloth when cleaning your Bestlite lamp. Do not use household cleaners.

ACCESSORIES

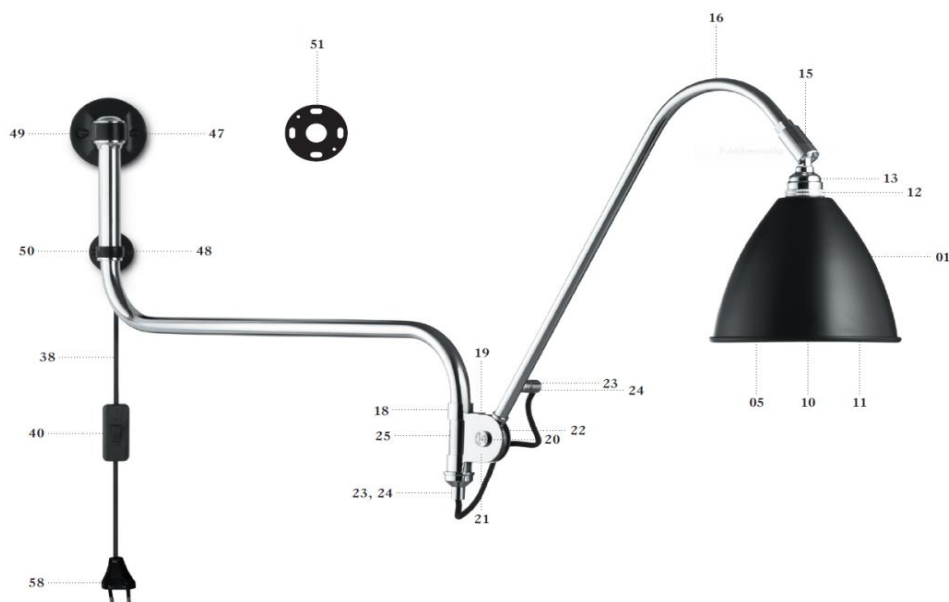
ENVIRONMENT

-

TESTS

-

CERTIFICATION AND LABELS



INSTALLATION INSTRUCTIONS

The Bestlite key:

It's a practical tool that enables you to fasten the lamp arm. Simply use it like a screwdriver in the slot in the Bestlite nut.

Instructions document: No. 10-20-008.

ON DEMAND - (ordered at an additional charge)

ORDERING - BL10
Cord with switch. US plug

- US plug: Type A, 2 PIN, 15 amp, (NEMA 1-15)
- US voltage: 120 V
- Frequency: 60 Hz
- Supply voltage: AC power ~
- Normally Closed: IP20



Class II / Double insulated



Luminaires accepted for mounting on a flammable base

KOMPONENTS

- 01 // Shade Ø16 cm.
- 05 // E12 lamp holder
- 10 // Insulating ring
- 11 // Internal shade ring
- 12 // External shade ring
- 13 // Lamp holder cover
- 15 // Universal joint
- 16 // Bestlite arm
- 18 // Bestlite clip
- 19 // Bestlite nut
- 20 // Bestlite bolt
- 21 // Tension spring
- 22 // Fibre washer
- 23 // Cord grip
- 24 // Cord grip cover
- 25 // Acetate
- 38 // Textile covered cord
- 40 // Switch
- 47 // Wall bracket
- 48 // Lower wall bracket.
- 49 // Screw 9x14 mm.
- 50 // Screw 6x36 mm.
- 51 // Mounting back plate Ø7 cm

58 // Plug

MATERIAL

Shade and base: Powder coated aluminium
Tube and arm: Chromed steel
Textile covered cord

