

Designed by Robert Dudley Best

PRODUCT



COLOURS



// Black / Chrome



// Off-White / Chrome



// White / Chrome

Item no.: 001-0630X
+ style code

DESCRIPTION

Bestlite has been in continuous production since 1930. Robert Dudley Best created Bestlite design. He was highly influenced by the Bauhaus. In the past 80 years, people Appreciated the lamps and it decorates many homes, hotels and restaurants worldwide. Loved by architects, designers and design aficionados throughout its 80-year history, today, Bestlite enjoys global iconic status.

VERSION - BESTLITE WALL LAMP BL6

Shade and base: Black, White or Off-White
Tube and arm: Chrome

RAL codes are indicative.

- Fabric wire - Black:
- Black / White inside // RAL 9005 / RAL 9003 // Gloss level 20 / Gloss level 20

- Fabric wire - Off-White:
- Off-White / White inside // RAL 1015 / RAL 9003 // Gloss level 20 / Gloss level 20

- Fabric wire - White:
- White / White inside // RAL 9003 / RAL 9003 // Gloss level 20 / Gloss level 20

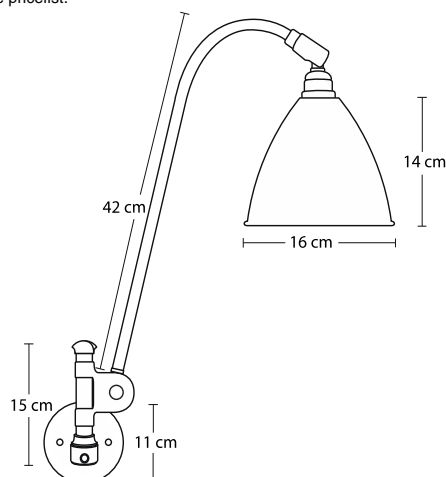
Please contact us for other colours or finishes.

VERSION

Order item - look for part number in the pricelist.

Series contains the following:

BL5, BL6, BL7, BL10



FACTS

MEASUREMENT - L X W X H inches

Lamp height: 5,9+16,5 inches
Tube length: 5,9 inches
Shade height: 5,5 inches
Shade diameter: dia. 6,3 inches

WEIGHT ITEM - LAMP INCL. WIRE

1100 g

PACKAGING TYPE

Cardboard box

PACKAGING MEASUREMENT - L X W X H inches

L:8,7 x W:24 x H:10,2 inches

WEIGHT PACKAGING - MATERIAL TYPE

- Paper Egg crate: 800 g
- Bestlite key: 18 g
- PE polybag: 1 g
- Screws: 5 g
- PE polybag: 60 g
- Cardboard outside: 800 g
- Cardboard top: 84 g

WEIGHT PACKAGING - TOTAL

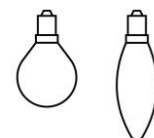
2868 g

NUMBER OF PARCELS

1 pcs.

LIGHT SOURCE:

- Socket: E12 base
- Bulb types recommended:



- Recommended light sources:

- Max. light output for below bulbs:
450 Lumens ≈ (40 WATT incandescent bulbs)

BESTLITE BL6 // WALL LAMP, HARD WIRED (SWITCHED), US MODEL

BESTLITE COLLECTION

Designed by Robert Dudley Best

CLEANING AND MAINTENANCE

Use a soft damp cloth when cleaning your Bestlite lamp. Do not use household cleaners.

ACCESSORIES

ENVIRONMENT

TESTS

CERTIFICATION AND LABELS

CUL-CERTIFIED

Incandescent bulbs
- Recommended wattage: 40 W
- Max wattage: 40 W

LED bulbs
- Recommended wattage: 4 W
- Max wattage: 5 W

All fluorescent light bulbs
- Recommended wattage: 9 W
- Max wattage: 13 W

- All lamps can be fitted with a dimmer.
Please contact your local electrician.

No cord, switch on wallbracket

- Lightbulb not included
- US voltage: 120 V
- Frequency: 60 Hz
- Supply voltage: AC power -
- Normally Closed: IP20



Mark for Canada and the U.S.



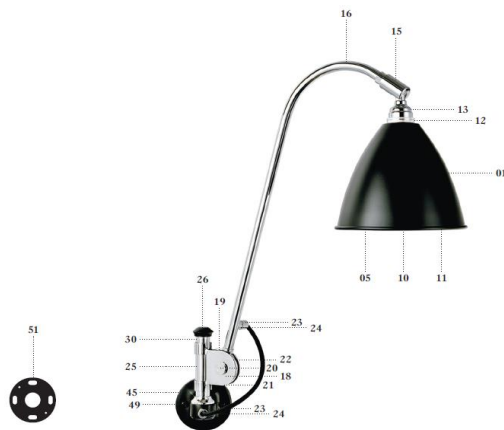
Luminaires accepted for mounting on a flammable base

KOMPONENTS

- 01 // Shade Ø16 cm.
- 05 // E12 lamp holder
- 10 // Insulating ring
- 11 // Internal shade ring
- 12 // External shade ring
- 13 // Lamper holder cover
- 15 // Universal joint
- 16 // Bestlite arm
- 18 // Bestlite clip
- 19 // Bestlite nut
- 20 // Bestlite bolt
- 21 // Tension spring
- 22 // Fibre washer
- 23 // Cord grip
- 24 // Cord grip cover
- 25 // Acetate
- 26 // Top knob
- 30 // Tube
- 38 // Textile covered cord
- 40 // Switch
- 45 // Wall bracket
- 49 // Screw 9x19 mm.
- 51 // Mounting back plate Ø11 cm

MATERIAL

Shade and base: Powder coated aluminium
Tube and arm: Chromed steel
Textile covered cord

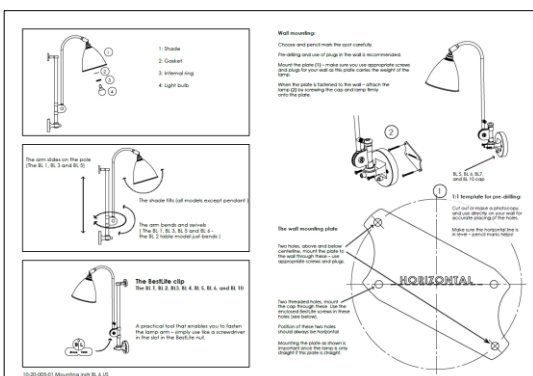
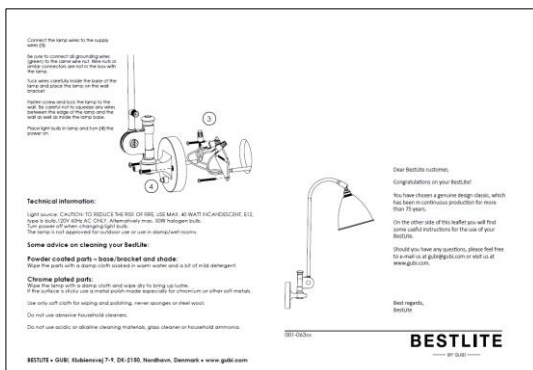


INSTALLATION INSTRUCTIONS

The Bestlite key:

It's a practical tool that enables you to fasten the lamp arm. Simply use it like a screwdriver in the slot in the Bestlite nut.

Instructions document: No. 10-20-005-01.



Designed by Robert Dudley Best

PRODUCT



COLOURS



// Charcoal black / Brass // Grey / Brass



// Matt-White / Brass // All Brass



// Bone China / Brass

Don't polish the brass

DESCRIPTION

Bestlite has been in continuous production since 1930. Robert Dudley Best created Bestlite design. He was highly influenced by the Bauhaus. In the past 80 years, people appreciated the lamps and it decorates many homes, hotels and restaurants worldwide. Loved by architects, designers and design aficionados throughout its 80-year history, today, Bestlite enjoys global iconic status.

VERSION - BESTLITE WALL LAMP BL6

Shade: Charcoal black, Matt-White, Grey, Brass, or Bone China
 Tube, arm, and foot base: Brass with lacquered surface
 Fabric wire - Brass colour

RAL codes are indicative.

- Charcoal black/Brass / White inside // RAL 9011 / RAL 9003 // Gloss level 10 / Gloss level 20
- Grey/Brass / White inside // RAL 2604005 / RAL 9003 // Gloss level 10 / Gloss level 20
- Brass/Brass / White inside // - / RAL 9003 // - / Gloss level 20
- Matt-White/Brass / White inside // RAL 9003 / RAL 9003 // Gloss level 10 / Gloss level 20
- Glossy Bone China/Brass

Please contact us for other colours or finishes.

VERSION

Order item - look for part number in the pricelist.

Series contains the following:

BL5, BL6, BL7, BL10

FACTS

MEASUREMENT - L X W X H inches

Lamp height: 5,9+16,5 inches
 Tube length: 5,9 inches
 Shade height: 5,5 inches
 Shade diameter: dia. 6,3 inches
 Cord - total length w/sw: App. 94,5 inches
 Cord - exposed out of lamp: App. 78,7 inches

WEIGHT ITEM - LAMP INCL. WIRE

1024 g

PACKAGING TYPE

White cardboard box w/ 5ply corrugated

PACKAGING MEASUREMENT - L X W X H inches

L:22 x W:61 x H:10,2 inches

WEIGHT PACKAGING - MATERIAL TYPE

- Paper Egg crate: 834,5 g
- PE polybag: 60 g
- Bestlite key: 18 g
- PE polybag: 1 g
- Cardboard inside: 98,5 g
- Cardboard outside: 768 g

WEIGHT PACKAGING - TOTAL

2802 g

NUMBER OF PARCELS

1 pcs.

LIGHT SOURCE

- Socket: E12 base
- Recommended light source: *All LED and fluorescent light bulbs*
- Recommended wattage: 9 W = (40 WATT incandescent bulbs)
- Max wattage: 13 W

- Recommended light source: *Halogen light bulb*

- Recommended wattage: 28 W = (40 WATT incandescent bulbs)
- Max wattage: 30 W

- *All lamps can be fitted with a dimmer.
 Please contact your local electrician.*

- *Lightbulb not included*

CLEANING AND MAINTENANCE

Use a soft damp cloth when cleaning your Bestlite lamp. Do not use household cleaners.

ACCESSORIES

-

ENVIRONMENT

-

TESTS

-

CERTIFICATION AND LABELS

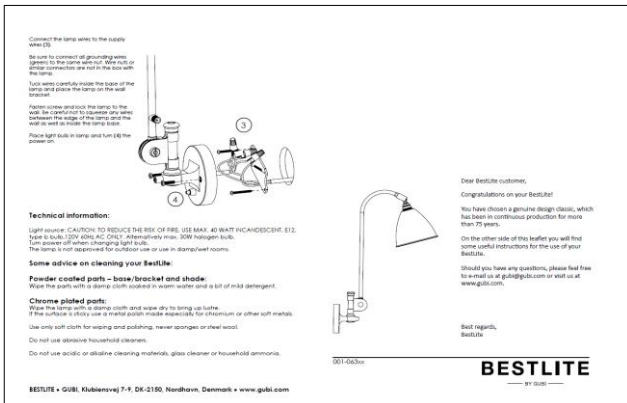


INSTALLATION INSTRUCTIONS

Instructions document: No. 10-20-005-01.

The Bestlite key:

It's a practical tool that enables you to fasten the lamp arm. Simply use it like a screwdriver in the slot in the Bestlite nut.



ON DEMAND - (ordered at an additional charge)

ORDERING - BL5

Cord with switch. US plug

- US plug: Type A, 2 PIN, 15 amp, (NEMA 1-15)

- US voltage: 120 V

- Frequency: 60 Hz

- Supply voltage: AC power ~

- Normally Closed: IP20



Class II / Double insulated

KOMPONENTS

01 // Shade Ø16 cm.

05 // E14 lamp holder

10 // Insulating ring

11 // Internal shade ring

12 // External shade ring

13 // Lamper holder cover

15 // Universal joint

16 // Bestlite arm

18 // Bestlite clip

19 // Bestlite nut

20 // Bestlite bolt

21 // Tension spring

22 // Fibre washer

23 // Cord grip

24 // Cord grip cover

25 // Acetate

26 // Top knob

30 // Tube

38 // Textile covered cord

40 // Switch

45 // Wall bracket

49 // Screw 9x19 mm

51 // Mounting plate Ø7 cm

58 // Plug

MATERIAL

Shade: Charcoalblack, White or Grey

Tube and arm: Brass with lacquered surface

Textile covered cord

Shade and base: Brass with lacquered surface

Tube and arm: Brass with lacquered surface

Textile covered cord

