

Designed by Robert Dudley Best

PRODUCT



COLOURS



// Black / Chrome



// Off-White / Chrome



// White / Chrome

DESCRIPTION

Bestlite has been in continuous production since 1930. Robert Dudley Best created Bestlite design. He was highly influenced by the Bauhaus. In the past 80 years, people Appreciated the lamps and it decorates many homes, hotels and restaurants worldwide. Loved by architects, designers and design aficionados throughout its 80-year history, today, Bestlite enjoys global iconic status.

VERSION - BESTLITE WALL LAMP BL7

Shade and base: Black, White or Off-White
 Tube and arm: Chrome

Colour codes are indicative.

- Fabric wire, switch and plug - Black:
 - Black / White inside // RAL 9005 / RAL 9003 // Gloss level 15 / Gloss level 20
- Fabric wire, switch and plug - Off-White
 - Off-White / White inside // RAL 1015 / RAL 9003 // Gloss level 20 / Gloss level 20
- Fabric wire, switch and plug - White:
 - White / White inside // RAL 9003 / RAL 9003 // Gloss level 15 / Gloss level 20

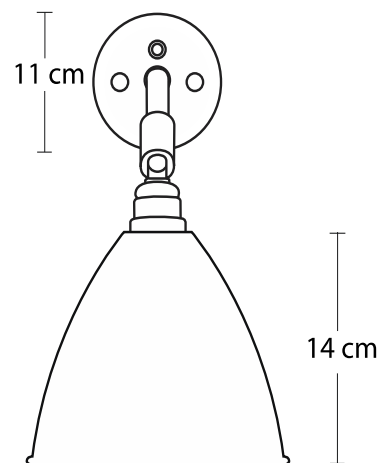
Please contact us for other colours or finishes.

VERSION

Order item - look for part number in the pricelist.

Series contains the following:

BL5, BL6, BL7, BL10



FACTS

MEASUREMENT - L X W X H inches

- Lamp height: 11.4 inches
- Tube length: -
- Shade height: 5.5 inches
- Shade diameter: 6.3 inches
- Cord - distance to switch: App. 14 inches
- Cord - exposed out of lamp: App. 78.7 inches

WEIGHT ITEM - LAMP INCL. WIRE

1.3 lbs

PACKAGING TYPE

Cardboard box

PACKAGING MEASUREMENT - L X W X H inches

L:10.2 x W:11 x H: 7.9 inches

WEIGHT PACKAGING - MATERIAL TYPE

- Paper Egg crate: 10 oz
- PE polybag: 2.1 oz
- Cardboard inside: 0.9 oz
- Cardboard outside: 7.3 oz

WEIGHT PACKAGING - TOTAL

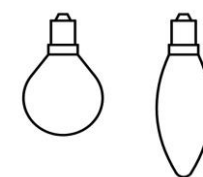
41.4 oz

NUMBER OF PARCELS

1 pcs.

LIGHT SOURCE:

- Socket: E12 base
- Bulb types recommended:



- Recommended light sources:

- Halogen light bulb*
- Recommended wattage: 30 W
- Max wattage: 30 W
- All fluorescens light bulbs*
- Recommended wattage: 9 W
- Max wattage: 13 W

- Max. light out put for above lamps:
 450 Lumens ≈ (40 WATT incandescent bulbs)

BESTLITE BL7 // WALL LAMP, CORD (SWITCHED ON WALLBRACKET), US MODEL

BESTLITE COLLECTION

Designed by Robert Dudley Best

CLEANING AND MAINTENANCE

Use a soft damp cloth when cleaning your Bestlite lamp. Do not use household cleaners.

ACCESSORIES

ENVIRONMENT

-

TESTS

-

CERTIFICATION AND LABELS



ON DEMAND - (ordered at an additional charge)

ORDERING - BL7

Cord, switch on the wallbracket. US plug

- US plug: Type A, 2 PIN, 15 amp, (NEMA 1-15)
- US voltage: 120 V
- Frequency: 60 Hz
- Supply voltage: AC power ~
- Normally Closed: IP20



Class II / Double insulated



Luminaires accepted for mounting on a flammable base

KOMPONENTS

- 01 // Shade Ø16 cm.
- 05 // E12 lamp holder
- 10 // Insulating ring
- 11 // Internal shade ring
- 12 // External shade ring
- 13 // Lamp holder cover
- 15 // Universal joint
- 17 // Bestlite arm

- 41 // Push button switch
- 42 // Cover for push button switch
- 46 // Wall bracket
- 49 // Screw 9x19 mm.
- 51 // Mounting back plate Ø11 cm

MATERIAL

Shade and base: Powder coated aluminium
 Tube and arm: Chromed steel
 Textile covered cord

Shade and base: Powder coated aluminium
 Tube and arm: Brass with lacquered surface
 Textile covered cord

INSTALLATION INSTRUCTIONS

The Bestlite key:

It's a practical tool that enables you to fasten the lamp arm. Simply use it like a screwdriver in the slot in the Bestlite nut.

Instructions document: No. 10-20-006

Technical information:

Light source: CAUTION: TO REDUCE THE RISK OF FIRE, USE MAX. 40 WATT INCANDESCENT, E12, type B bulb, 120V 60Hz AC ONLY. Alternatively max. 30W halogen bulb.
 Turn power off when changing light bulb.
 The lamp is not approved for outdoor use or use in damp/wet rooms.

Some advice on cleaning your Bestlite:

Powder coated parts - base/bracket and shade:
 Wipe the parts with a damp cloth soaked in warm water and a bit of mild detergent.

Chrome plated parts:
 Wipe the lamp with a damp cloth and wipe dry to bring up luster.
 If the surface is sticky use a metal polish made especially for chromium or other soft metals.
 Use only soft cloth for wiping and polishing; never sponges or steel wool.
 Do not use abrasive household cleaners.
 Do not use acidic or alkaline cleaning materials, glass cleaner or household ammonia.

Dear Bestlite customer,
 Congratulations on your Bestlite!
 You have chosen a genuine design classic, which has been in continuous production for more than 75 years.
 On the other side of this leaflet you will find some useful instructions for the use of your Bestlite.
 Should you have any questions, please feel free to e-mail us at gubi@gubi.com or visit us at www.gubi.com.

Best regards,
 Bestlite

001-073xx **BESTLITE**
 — GUBI —

BESTLITE • GUBI, Klubiensvej 7-9, DK-2150, Nordhavn, Denmark • www.gubi.com

1. Shade

2. Gasket

3. Internal ring

4. Light bulb

The shade fits and swivels.

1.1 template for pre-drilling:
 Cut out in metal or plastic, and use directly on your wall for accurate marking of the holes.
 Make sure the horizontal line is in level - pencil marks help!

The wall mounting plate:
 Two holes, oblique and bottom, contain the parts to be mounted on the wall through these - use appropriate screws and plugs.
 Two threaded holes, mount the cap through these. Use the enclosed Bestlite screws in these holes (see below).
 Position of these two holes should always be horizontal.
 Mounting the plate as shown is important since the lamp is only straight if the plate is straight.

Connect the lamp wires to the supply wires (2):
 Be sure to connect all grounding wires (green) to the same wire run. Wire nuts or other correct connection are not in the box with the lamp.
 Tuck wires carefully inside the base of the lamp, and enter the lamp on the wall bracket.
 Fasten screws and lock the lamp to the wall. Be careful not to rotate any wires outside the edge of the lamp and the wall or wall bracket (the lamp is straight).

Place light bulb in lamp and turn (4) the power on.

10-20-004-01 Mounting instr B, 7 US

Designed by Robert Dudley Best

PRODUCT



COLOURS



// Charcoal black / Brass // Grey / Brass



// Matt-White / Brass // All Brass



// Bone China / Brass

Don't polish the brass

DESCRIPTION

Bestlite has been in continuous production since 1930. Robert Dudley Best created Bestlite design. He was highly influenced by the Bauhaus. In the past 80 years, people appreciated the lamps and it decorates many homes, hotels and restaurants worldwide. Loved by architects, designers and design aficionados throughout its 80-year history, today, Bestlite enjoys global iconic status.

VERSION - BESTLITE WALL LAMP BL7

Shade: Charcoal black, Matt-White, Grey, Brass, or Bone China
 Tube, arm, and foot base: Brass with lacquered surface
 Fabric wire - Brass colour

RAL codes are indicative.

- Charcoal black/Brass / White inside // RAL 9011 / RAL 9003 // Gloss level 10 / Gloss level 20
- Grey/Brass / White inside // RAL 2604005 / RAL 9003 // Gloss level 10 / Gloss level 20
- Brass/Brass / White inside // - / RAL 9003 // - / Gloss level 20
- Matt-White/Brass / White inside // RAL 9003 / RAL 9003 // Gloss level 10 / Gloss level 20
- Glossy Bone China/Brass

Please contact us for other colours or finishes.

VERSION

Order item - look for part number in the pricelist.

Series contains the following:

BL5, BL6, BL7, BL10

FACTS

MEASUREMENT - L X W X H inches

- Lamp height: 11,4 inches
- Tube length: -
- Shade height: 5,5 inches
- Shade diameter: Ø6,3 inches
- Cord - total length w/sw: App. 94,5 inches
- Cord - exposed out of lamp: App. 78,7 inches

WEIGHT ITEM - LAMP INCL. WIRE

489 g

PACKAGING TYPE

White cardboard box w/ 5ply corrugated

PACKAGING MEASUREMENT - L X W X H inches

L:10,2 x W:11 x H: 7,87 inches

WEIGHT PACKAGING - MATERIAL TYPE

- Paper Egg crate: 280,5 g
- PE polybag: 60 g
- Cardboard inside: 26 g
- Cardboard outside: 206 g

WEIGHT PACKAGING - TOTAL

1001 g

NUMBER OF PARCELS

1 pcs.

LIGHT SOURCE

- Socket: E12 base
- Recommended light source: *All LED and fluorescent light bulbs*
- Recommended wattage: 9 W = (40 WATT incandescent bulbs)
- Max wattage: 13 W
- Recommended light source: *Halogen light bulb*
- Recommended wattage: 28 W = (40 WATT incandescent bulbs)
- Max wattage: 30 W

- All lamps can be fitted with a dimmer.
 Please contact your local electrician.

- Lightbulb not included

CLEANING AND MAINTENANCE

Use a soft damp cloth when cleaning your Bestlite lamp. Do not use household cleaners.

ACCESSORIES

-

ENVIRONMENT

-

TESTS

-

CERTIFICATION AND LABELS

CUL-APPROVED

STANDARD - (* = Standard for each country/region)

STOCK - BL7* Hard-wired (switched):
No cord, switch on wallbracket

- US voltage: 120 V
- Frequency: 60 Hz
- Supply voltage: AC power ~
- Normally Closed: IP20



UL listed

KOMPONENTS

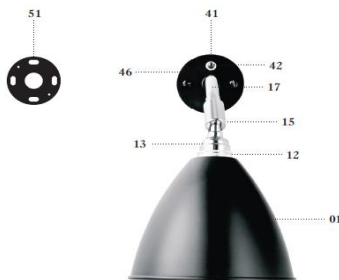
- 01 // Shade Ø16 cm.
- 05 // E14 lamp holder
- 10 // Insulating ring
- 11 // Internal shade ring
- 12 // External shade ring
- 13 // Lamp holder cover
- 15 // Universal joint
- 17 // Bestlite arm

- 41 // Push button switch
- 42 // Cover for push button switch
- 46 // Wall bracket
- 49 // Screw 9x19 mm.
- 51 // Mounting plate Ø7 cm

MATERIAL

Shade: Charcoalblack, White or Grey
Tube and arm: Brass with lacquered surface
Textile covered cord

Shade and base: Brass with lacquered surface
Tube and arm: Brass with lacquered surface
Textile covered cord



INSTALLATION INSTRUCTIONS

Instructions document: No. 10-20-006-01.

The Bestlite key:

It's a practical tool that enables you to fasten the lamp arm. Simply use it like a screwdriver in the slot in the Bestlite nut.

Technical information:

Light source: CAUTION TO REDUCE THE RISK OF FIRE, USE MAX. 40 WATT (INCANDESCENT, E27 type B bulbs, 220V 60Hz AC ONLY). Alternatively max. 30W halogen bulbs. Turn power off when changing light bulb.

The lamp is not approved for outdoor use or use in damp/wet rooms.

Some advice on cleaning your Bestlite:

Powder coated parts - base/bracket and shade:
Wipe the parts with a damp cloth (soaked in warm water) and a bit of mild detergent.

Chrome plated parts:
Wipe the parts with a damp cloth and wipe dry to bring up luster.
If the surface is stuck use a metal polish made especially for chromium or other soft metals.
Use only soft cloth for wiping and polishing, never sponges or steel wool.
Do not use abrasive household cleaners.
Do not use acidic or alkaline cleaning materials, glass cleaner or household ammonia.

Dear Bestlite customer,
Congratulations on your Bestlite!

You have chosen a genuine design classic, which has been in continuous production for more than 75 years.

On the other side of this leaflet you will find some useful instructions for the use of your Bestlite.

Should you have any questions, please feel free to e-mail us at gubi@gubi.com or visit us at www.gubi.com.

Best regards,
Bestlite

001-07300

BESTLITE
— 91 000 —

BESTLITE • GUBI • Kublensvej 7-9, DK-2150, Nordhavn, Denmark • www.gubi.com

1: Shade
2: Coverlet
3: Internal ring
4: Light bulb

The shade fits and swivels.

Wall mounting:
Choose an angled mark the spot carefully.
Pre-drilling and use of plugs in the wall is recommended.
Mount the plate (1) - make sure you use appropriate screws and plugs for most wall in this plate carries the weight of the lamp.
When the plate is fastened to the wall - attach the arm (2) covering the cap and lamp body onto the plate.

The wall mounting plate:
Two holes, above and below, for wall mounting. Use the provided screws (3) or use appropriate screws and plugs.

Two threaded holes, mount the cap through these. Use the provided screws (3) or use appropriate screws.

Position of these two holes should always be horizontal.

Mounting the plate as shown is important since the light is evenly spread if the plate is straight.

Connect the lamp wire to the supply wires (3):
Be sure to connect all grounding wires (green) to the side wire (not steel) and safety connections are not in the box with the lamp.

Lock wire carefully inside the base of the lamp and secure the lamp on the wall bracket!

Repeat these steps with the lamp to the wall. Be careful not to connect any wires and wires to the light of the lamp (4) the red wire is the live (L) and the blue wire is the neutral (N).

Place light bulb in lamp and turn (4) the power on.

1-1 template for pre-drilling
Cut out or make a photocopy, and use directly on your wall for accurate placing of the holes.
Always use the horizontal line as a reference - pencil marks help!

HORIZONTAL

10-20-006-01 Mounting plate BL 7 US