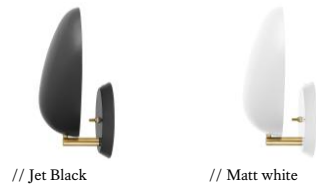


Designed by Greta Grossman

PRODUCT



COLORS



Item no.: 005-0630
 + style code:
 - 1HW: Jet Black
 - 5HW: Matt White

DESCRIPTION

The classic Cobra lamp takes its name from the shape of the oval shade, which is reminiscent of a Cobra's neck (or hood). A solid brass arm joins the wall base and shade. The shade can be tilted 90 degrees from vertical to horizontal and it can be rotated 360 degrees. The base cover and the shade is in powder-coated steel. A bracket for the mounting on the wall is integrated in the base. Switch integrated in the base.

VERSION - COBRA WALL LAMP

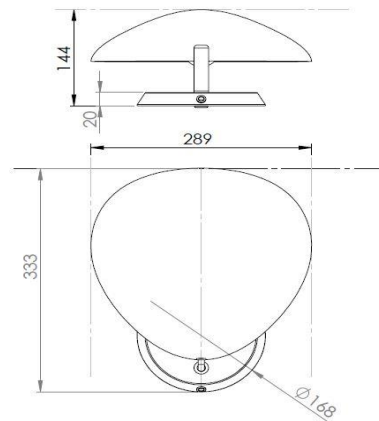
- Jet Black / White inside // RAL 9005 / RAL 9003 // Gloss level 20 / Gloss level 20
- Matt white / White inside // RAL 9003 / RAL 9003 // Gloss level 20 / Gloss level 20

VERSION - COBRA WALL LAMP

Order item - look for part number in the pricelist.

Series contains the following:

- GM1 GRÄSHOPPA
- GM2 COBRA TABLE
- GM3 COBRA FLOOR
- GRÄSHOPPA TASK TABLE LAMP
- GRÄSHOPPA PENDANT
- COBRA WALL LAMP



FACTS

MEASUREMENT - *L x W x H inches*

- Lamp height: 13,1 inches
- Lamp depth: 5,6 inches
- Wall base diameter: dia. 6,6 inches
- Wall base height: 0,8 inches
- Shade height: 3 inches
- Shade depth: 11,4 inches
- Cable length, exposed: Approx. 7,9 inches

WEIGHT ITEM - *LAMP INCL. WIRE*

2,7 lb

PACKAGING TYPE

Cardboard box

PACKAGING MEASUREMENT - *L x W x H inches*

L: 14,9 x W: 13,4 x H: 8,3 inches

WEIGHT PACKAGING - *MATERIAL TYPE (recyclable)*

- LD-EPE foam: 4,7 oz
- EPE bag: 0,4 oz
- PE polybag: 0,2 oz
- Cardboard inside: 7,7 oz
- Cardboard outside, 5ply Corrugated: 1,6 lb

WEIGHT INCL. PACKAGING - *TOTAL*

5,2 lb

NUMBER OF PARCELS

1 pcs.

ACCESSORIES

-

ENVIRONMENT

-

TESTS

-

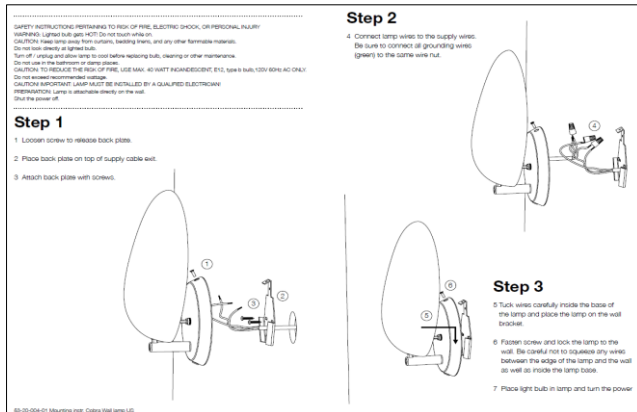
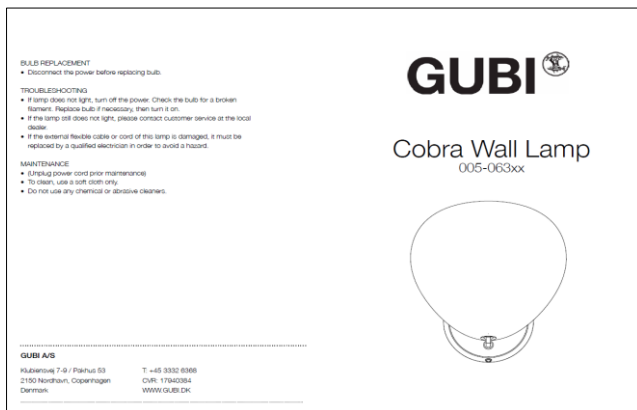
CERTIFICATION AND LABELS

CUL-APPROVED

SAFETY INSTRUCTIONS

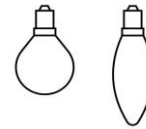
If the cord or plug is damaged, unplug it from the socket with dry hands. Do not use the lamp until it is repaired by a qualified Electrician.

Instructions document: No. 53-20-004-01



LIGHT SOURCE:

- Socket: E12 base
- Bulb types recommended:



- Recommended light sources:
 - Halogen light bulb*
 - Recommended wattage: 46 W
 - Max wattage: 46 W

- All fluorescens light bulbs*
- Recommended wattage: 15 W
- Max wattage: 15 W

- LED retrofit light bulbs*
- Recommended wattage: 7 W
- Max wattage: 9 W

- Max. light out put for above lamps:
- 800 Lumens = (60WATT incandescent bulbs)

- All lamps can be fitted with a dimmer -Please contact your local electrician.

- Lightbulb not included
- US plug: Type A, 2 PIN, 15 amp, (NEMA 1-15)
- US voltage: 120 V
- Frequency: 60 Hz
- Supply voltage: AC power ~
- Normally Closed: IP20



Class II / Double insulated



Mark for Canada and the U.S.



Luminaires accepted for mounting on a flammable base