

PRODUCT



COLORS



// Sand



// Black



// Grey



// Terracotta



// Taube

DESCRIPTION

Collar Lamp is the German designer Sebastian Herkner's first product for GUBI. Collar Lamp is a series of pendent lights that combines mouth blown glass and an aluminum "collar", used as a reflector, which gives it an iconic strong character. The lamp looks great as an individual lamp but by mixing colours and sizes it gives possibilities for strong personal and playful installations.

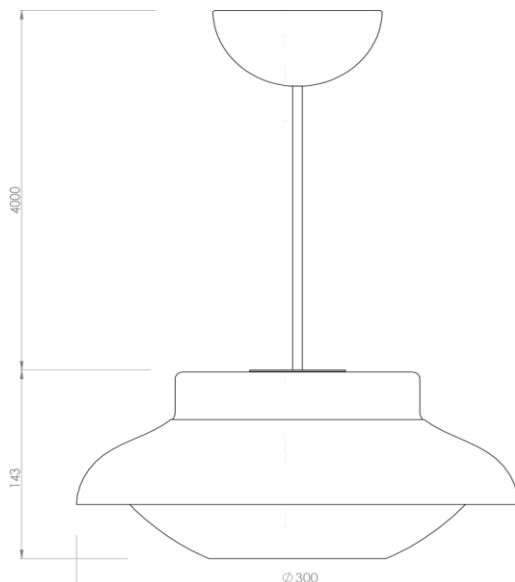
VERSION - COLLAR Ø300

Colour codes are indicative.

- Fabric cable is black // Canopy is black lacquered // Gloss level Shade 2 / Glass top 10
- Sand / Shade NCS S 1502-Y / Glass top NCS S 3005-Y20R / White inside RAL 9003
- Black / Shade NCS S 8500-N / Glass top NCS S 9000-N / White inside RAL 9003
- Grey / Shade NCS S 2005-B80G / Glass top NCS S 5005-B80G / White inside RAL 9003
- Terracotta / Ghade NCS S 4030-Y70R / Glass top NCS S 7020-Y70R / White inside RAL 9003
- Taube / Shade NCS S 5502-Y / Glass top NCS S 7502-Y / White inside RAL 9003

VERSION

Order item - look for part number in the pricelist.



FACTS

MATERIAL

Shade: Wet lacquered steel
 Glass: Mouthblown opal glass lacquered on top
 Canopy: Powder coated aluminum

MEASUREMENT - L x W x H mm

Lamp height: 5,6 inches
 Shade diameter: dia 11,8 inches
 Canopy diameter: dia 4,5 inches
 Canopy high: 2,2 inches

Cable length, exposed: APP. 157 inches

WEIGHT ITEM - LAMP INCL. WIRE

Approx. 6,2 lb

PACKAGING TYPE

Cardboard box

PACKAGING MEASUREMENT - L x W x H cm

L: 16,5 x W: 13,8 x H: 88,6 inches

WEIGHT PACKAGING - MATERIAL TYPE (recyclable)

- LD-EPE foam: 0,5 lb
- EPE bag: 1 oz
- PE polybag: 0,035 oz
- Cardboard inside: -
- Cardboard outside, 5ply Corrugated: 1,5 lb

WEIGHT INCL. PACKAGING - TOTAL

Approx. 8,2 lb

NUMBER OF PARCELS

1 pcs.

PRODUCT



COLORS



// Sand



// Black



// Grey



// Terracotta



// Taube

DESCRIPTION

Collar Lamp is the German designer Sebastian Herkner's first product for GUBI. Collar Lamp is a series of pendant lights that combines mouth blown glass and an aluminum "collar", used as a reflector, which gives it an iconic strong character. The lamp looks great as an individual lamp but by mixing colours and sizes it gives possibilities for strong personal and playful installations.

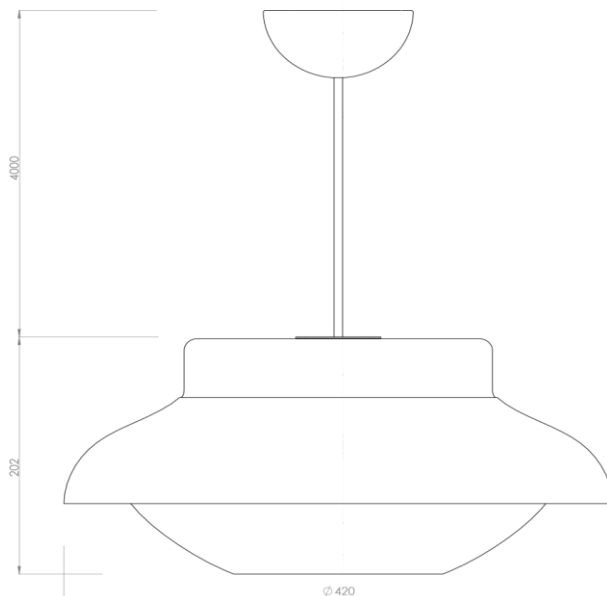
VERSION - COLLAR Ø420

Colour codes are indicative.

- Fabric cable is black // Canopy is black lacquered // Gloss level Shade 2 / Glass top 10
- Sand / Shade NCS S 1502-Y / Glass top NCS S 3005-Y20R / White inside RAL 9003
- Black / Shade NCS S 8500-N / Glass top NCS S 9000-N / White inside RAL 9003
- Grey / Shade NCS S 2005-B80G / Glass top NCS S 5005-B80G / White inside RAL 9003
- Terracotta / Ghade NCS S 4030-Y70R / Glass top NCS S 7020-Y70R / White inside RAL 9003
- Taube / Shade NCS S 5502-Y / Glass top NCS S 7502-Y / White inside RAL 9003

VERSION

Order item - look for part number in the pricelist.



FACTS

MATERIAL

Shade: Wet lacquered steel
Glass: Mouthblown opal glass lacquered on top
Canopy: Powder coated aluminum

MEASUREMENT - L x W x H

Lamp height: 8 inches
Shade diameter: dia. 16,5 inches
Canopy diameter: dia. 4,5 inches
Canopy height: 2,2 inches

Cable length, exposed: APP. 157 inches

WEIGHT ITEM - LAMP INCL. WIRE

Approx. 9,5 lb

PACKAGING TYPE

Cardboard box

PACKAGING MEASUREMENT - L x W x H

L: 19,5 x W: 18,5 x H: 10,8 inches

WEIGHT PACKAGING - MATERIAL TYPE (recyclable)

- LD-EPE foam: 1 lb
- EPE bag: 1,5 oz
- PE polybag: 0,035 oz
- Cardboard inside: -
- Cardboard outside, 5ply Corrugated: 2,4 lb

WEIGHT INCL. PACKAGING - TOTAL

Approx. 13 lb

NUMBER OF PARCELS

1 pcs.

Designed by Sebastian Herkner

ACCESSORIES

ENVIRONMENT

TESTS

CERTIFICATION AND LABELS

CE-CERTIFIED
UL-CERTIFIED

SAFETY INSTRUCTIONS

If the cord or plug is damaged, unplug it from the socket with dry hands. Do not use the lamp until it is repaired by a qualified Electrician.

Instructions document no. 62-20-001-04

Bulb requirements:

- Socket: E26 base
- Bulb type: G16.5 or A15
- Recommended wattage: 60 W
- Max wattage: 60 W

*Lightbulb not included

- US voltage: 120 V
- Frequency: 60 Hz
- Supply voltage: AC power ~
- Normally Closed: IP20



- Isolation class II / Double insulated



Luminaires accepted for mounting on a flammable base



Mark for Canada and the U.S.

CARE INSTRUCTIONS

• Keeping power cord and/or maintenance
Do not use any flammable or otherwise hazardous.
Do not use any flammable or otherwise hazardous.

TROUBLESHOOTING

If lamp does not light, turn off the power. Check the bulb for a broken filament. Replace bulb if necessary. Turn light on.
If the lamp still does not light, please contact customer service at the
Lamp location or contact customer service at the
If the customer service center is not able to help, the lamp is defective, it must be replaced by a qualified electrician in order to avoid a hazard.

BULB REPLACEMENT

Disconnect the power before replacing bulb.

SAFETY INSTRUCTIONS

SAFETY INSTRUCTIONS PERTAINING TO RISK OF FIRE, ELECTRIC SHOCK, OR PERSONAL INJURY!

WARNING: Lighted bulb gets HOT! Do not touch while on.
CAUTION: Keep lamp away from curtains, bedding, towels, and any other flammable materials. Do not look directly at lighted bulb. Turn off, unplug and allow lamp to cool before replacing bulb, cleaning or other maintenance. Do not use in the bathroom or before replacing bulb, cleaning or other maintenance. Do not use in the bathroom or before replacing bulb, cleaning or other maintenance. Do not use in the bathroom or before replacing bulb, cleaning or other maintenance. Do not use in the bathroom or before replacing bulb, cleaning or other maintenance.

CAUTION: TO REDUCE THE RISK OF FIRE, USE ONLY TYPE A BULB, MAX. 60 WATT FOR COLLAR L. MAX. 40 WATT FOR COLLAR L. TYPE G16.5 BULB, MAX. 60 WATT FOR COLLAR L. E26, 120V 60Hz AC ONLY.
Do not exceed recommended wattage.

CAUTION IMPORTANT: LAMP MUST BE INSTALLED BY A QUALIFIED ELECTRICIAN!

GUBI

ASSEMBLY INSTRUCTIONS
for
COLLAR PENDANT
008-013xx / 008-023xx

SAFETY INSTRUCTIONS PERTAINING TO RISK OF FIRE, ELECTRIC SHOCK, OR PERSONAL INJURY!

WARNING: Lighted bulb gets HOT! Do not touch while on.
CAUTION: Keep lamp away from curtains, bedding, towels, and any other flammable materials. Do not look directly at lighted bulb. Turn off, unplug and allow lamp to cool before replacing bulb, cleaning or other maintenance. Do not use in the bathroom or before replacing bulb, cleaning or other maintenance. Do not use in the bathroom or before replacing bulb, cleaning or other maintenance. Do not use in the bathroom or before replacing bulb, cleaning or other maintenance.

CAUTION: TO REDUCE THE RISK OF FIRE, USE ONLY TYPE A BULB, MAX. 60 WATT FOR COLLAR L. MAX. 40 WATT FOR COLLAR L. TYPE G16.5 BULB, MAX. 60 WATT FOR COLLAR L. E26, 120V 60Hz AC ONLY.
Do not exceed recommended wattage.

CAUTION IMPORTANT: LAMP MUST BE INSTALLED BY A QUALIFIED ELECTRICIAN!

Parts for mounting the lamp on the ceiling:

- A: Wrenuts x 3
- B: Washer
- C: Cable clamp
- D: Ceiling disc
- E: Screws x 2
- F: Cable, 3 pole
- G: Canopy
- G1: Grounding wire

Step 1
Remove the protective piece.

Step 2

- 1 Find the desired length of cable and place cable clamp around cable.
- 2 Squeeze the two parts of the cable clamp around the cable with a tool and put it into the washer.

Step 3

- 3 Attach grounding wire to the ceiling disc with the screw.
- 4 Connect lamp wires to the supply wires. Be sure to connect all grounding wires (green) to the same wrenut.
- 5 Tuck wires carefully inside the junction box and fasten the ceiling disc to it with the screws.

Step 4

- 6 Place canopy on ceiling disc and fasten screws. 5 - 20 degrees.
- 7 Place light bulb in lamp and turn the power on.