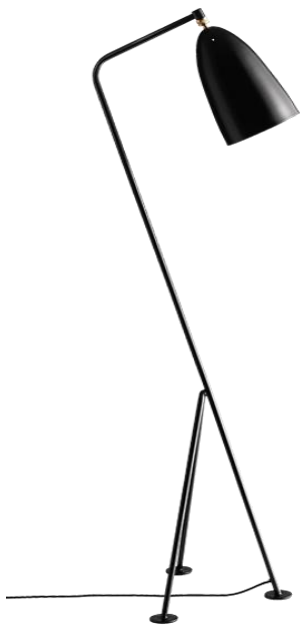
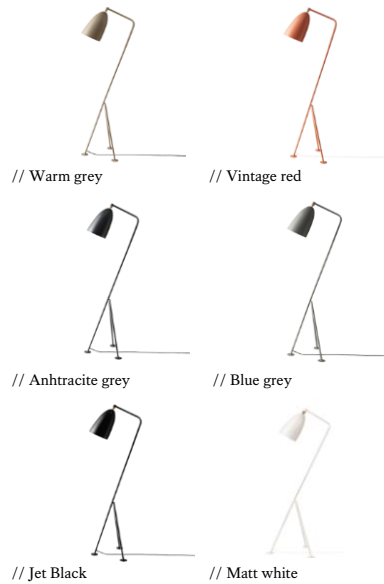


Designed by Greta Grossman

### PRODUCT



### COLOURS



### DESCRIPTION

The iconic Gräshoppa lamp was first produced in 1947. The tubular steel tripod stand is tilted backward whilst the elongated steel conical shade is mounted with a free moving joint in solid brass, consequently the light can be directional, yet the glare is minimal, both stand and shade are powder-coated and are available in 5 colours.

### VERSION - GRÄSHOPPA FLOOR LAMP GM1

Colour codes are indicative.

- Fabric wire - Black:
- Warm grey / White inside // RAL 085 60 10 / RAL 9003 // Gloss level 20 / Gloss level 20
- Vintage red / White inside // RAL 3012 / RAL 9003 // Gloss level 20 / Gloss level 20
- Anthracite grey / White inside // RAL 7016 / RAL 9003 // Gloss level 20 / Gloss level 20
- Blue grey / White inside // RAL 160 60 05 / RAL 9003 // Gloss level 20 / Gloss level 20
- Jet Black / White inside // RAL 9005 / RAL 9003 // Gloss level 20 / Gloss level 20

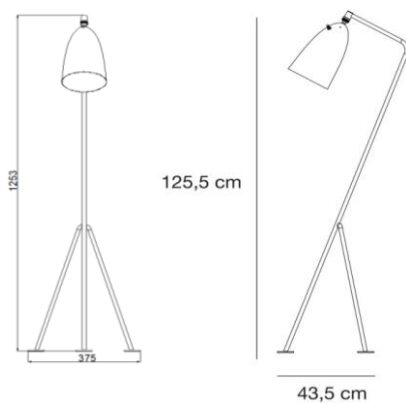
- Fabric wire - White:
- Matt white / White inside // RAL 9003 / RAL 9003 // Gloss level 20 / Gloss level 20

### VERSION

Order item - look for part number in the pricelist.

Series contains the following:

### GM1, GM2, GM3



### FACTS

#### MATERIAL

Shade: Powder-coated steel  
Stand: Brass tube: dia. 0,5 inches  
Swivel: Solid brass

#### MEASUREMENT - L X W X H inches

Lamp height: 49,3 inches  
Lamp stand: 14,8 X 17 inches  
Shade height: 9,2 inches  
Shade diameter: dia. 5,9 inches  
Cable length, exposed: APP. 84,6 inches  
Cable length, total: APP. 128 inches

#### WEIGHT ITEM - LAMP INCL. WIRE

5 lb

#### PACKAGING TYPE

Cardboard box

#### PACKAGING MEASUREMENT - L X W X H inches

L: 17,3 X W: 17,3 X H: 53,1 inches

#### WEIGHT PACKAGING - MATERIAL TYPE (recyclable)

- Delivery note: 0,35 oz
- LD-EPE foam: 3,2 oz
- PE polybag: 6,7 oz
- Cardboard inside: 2,8 lb
- Cardboard outside, 5ply Corrugated: 10 lb

#### WEIGHT PACKAGING - TOTAL

18,4 lb

#### NUMBER OF PARCELS

1 pcs.

Designed by Greta Grossman

## ACCESSORIES

-

## ENVIRONMENT

-

## TESTS

-

## CERTIFICATION AND LABELS

### CUL-CERTIFIED

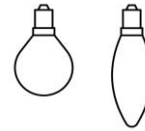
### SAFETY INSTRUCTIONS

If the cord or plug is damaged, unplug it from the socket with dry hands. Do not use the lamp until it is repaired by a qualified Electrician.

Instructions document: No. 53-20-002-01

### LIGHT SOURCE:

- Socket: E12 base
- Bulb types recommended:



- Recommended light sources: *Halogen light bulb*
- Recommended wattage: 46 W
- Max wattage: 46 W

- All fluorescens light bulbs*
- Recommended wattage: 15 W
- Max wattage: 15 W

- LED retrofit light bulbs*
- Recommended wattage: 7 W
- Max wattage: 9 W

- *Max. light out put for above lamps:*
- 800 Lumens = (60WATT incandescent bulbs)

- All lamps can be fitted with a dimmer -Please contact your local electrician.

- Lightbulb not included
- *US plug: Type A, 2 PIN, 15 amp, (NEMA 1-15)*
- *US voltage: 120 V*
- *Frequency: 60 Hz*
- *Supply voltage: AC power ~*
- *Normally Closed: IP20*



Class II / Double insulated



Mark for Canada and the U.S.



Luminaires accepted for mounting on a flammable base

**GUBI**

**Gräshoppa Floor Lamp**  
005-013xx

**BULB REPLACEMENT**

- Disconnect the power before replacing bulb.

**TROUBLESHOOTING**

- If lamp does not light, turn off the power. Check the bulb for a broken filament. Replace bulb if necessary, then turn it on.
- If the lamp still does not light, please contact customer service at the local store.
- If the external flexible cable or cord of the lamp is damaged, it must be replaced by a qualified electrician in order to avoid a hazard!

**MAINTENANCE**

- (Plug power cord prior maintenance)
- To clean, use a soft cloth only.
- Do not use any chemical or abrasive cleaners.

**GUBI A/S**  
Høstetårnvej 7-D • Pkhus 53  
2150 Nordhavn, Copenhagen  
Denmark

T +45 3332 6366  
CNR 17942884  
WWW.GUBI.DK

**SAFETY INSTRUCTIONS** REMOVING TO TOP OF THE ELECTRIC SOCKET, OVERHEATING, FLUZZY WIRE(S) LIGHTER BULB gets HOT! Do not touch while on. CAUTION: This lamp uses three different kinds of bulbs, including incandescent, CFL and LED. Do not use directly at night bulb. Turn off power and allow time to cool before replacing bulb, cleaning or other maintenance. Do not use in the bathroom or damp places. CAUTION TO REDUCE THE RISK OF FIRE, USE MAX. 40 WATT INCANDESCENT, E12, E14, E26, E27, E29, E39, E40 ONLY. Do not exceed maximum wattage. CAUTION: APPROXIMATE WEIGHT IS 1.5 KG (3.3 LBS). PREPARATION: Shut the power off.

**Step 1**

1. Unpack lamp.
2. Place on stable ground.

**Step 2**

3. Plug lamp to mains voltage.
4. Push switch to turn lamp on and off.

53-20-002-01 Mounting and Gräshoppa Floor Lamp

**GUBI**

**GRÄSHOPPA FLOOR LAMP // Designed by Greta Grossman**

**DK**  
Tilbedt med den Gräshoppa lampe designet af Greta Grossman i 1947. Vi håber du vil blive glad for den.  
Efter en virkelig tid vil du muligvis opleve, at ledet på skærmen bliver løst og har brug for efterspænding. Dette gøres ved at dreje messing endeboksen på kildeløst mod uret.  
**Obs: Undlad at rotere skærmen gentagne gange om sin egen akse, da det kan forårsage defekt.**

**ENG**  
Congratulations with your Gräshoppa lamp designed by Greta Grossman in 1947. We hope you will enjoy it.  
After some time you may find that the joint on the shade will get loose and needs tightening. This can be done by turning the brass nut clockwise.  
**Caution: Do not rotate the shade repeatedly on its axis, as this might result in malfunctioning.**

**DE**  
Gratulation zu Ihrer Gräshoppa Leuchte Entworfen 1947 von Greta Grossman. Wir wünschen Ihnen viel Freude damit.  
Bitte beachten Sie, dass sich die Verbindung des Leuchten Schirmes im Laufe der Zeit lockern kann und nachgezogen werden muss. Drehen Sie dazu die Messing Mutter im Uhrzeigersinn fest.  
**Achtung: Bitte drehen Sie den Schirm nicht mehrmals um seine Achse, dies verursacht einen Defekt.**