

Designed by Greta Grossman

PRODUCT



COLORS



DESCRIPTION

The iconic Gräshoppa shade is fixed with a brass tube and brass fittings on the top. For mounting on the ceiling, the pendant is equipped with a steel bracket covered by a half round sphere canopy in brass and a brass tube. Shade is powder-coated and are available in 5 colours.

VERSION - GRÄSHOPPA PENDANT

Colour codes are indicative.

- Jet Black / White inside // RAL 9005 / RAL 9003 // Gloss level 20 / Gloss level 20
- Anthracite grey / White inside // RAL 7016 / RAL 9003 // Gloss level 20 / Gloss level 20
- Blue grey / White inside // RAL 160 60 05 / RAL 9003 // Gloss level 20 / Gloss level 20
- Matt white / White inside // RAL 9003 / RAL 9003 // Gloss level 20 / Gloss level 20
- Vintage red / White inside // RAL 3012 / RAL 9003 // Gloss level 20 / Gloss level 20
- Andorra red / White inside // RAL 020 30 20 / RAL 9003 // Gloss level 17 / Gloss level 20
- Oyster white / White inside // RAL 1013 / RAL 9003 // Gloss level 17 / Gloss level 20

Fabric wire White: // Blue grey // Mat White

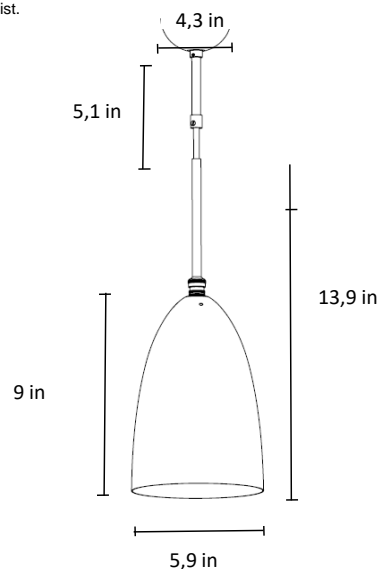
Fabric wire Black: // Jet Black // Anthracite grey // Vintage red // Andorra red // Oyster white

VERSION

Order item - look for part number in the pricelist.

Series contains the following:

- GM1 GRÄSHOPPA
- GM2 COBRA TABLE
- GM3 COBRA FLOOR
- GRÄSHOPPA TASK TABLE LAMP
- GRÄSHOPPA PENDANT
- COBRA WALL LAMP



FACTS

MATERIAL

Shade: Powder-coated steel
Canopy: Brass plated steel
Swivel: Solid brass

MEASUREMENT - L x W x H inches

Lamp height: 13,9 inches
Lamp stand: 14,7 x 17,1 inches
Canopy diameter: Ø4,3 inches
Canopy length: 5,1 inches
Shade height: 9 inches
Shade diameter: Ø5,9 inches
Cable length, exposed: APP. 98,4 inches

WEIGHT ITEM - LAMP INCL. WIRE

1,5 lb

PACKAGING TYPE

Cardboard box

PACKAGING MEASUREMENT - L x W x H inches

L: 17,7 x W: 8,3 x H: 8,3 inches

WEIGHT PACKAGING - MATERIAL TYPE (recyclable)

- LD-EPE foam: 0,7 oz
- EPE bag: 0,3 oz
- PE polybag: 0,2 oz
- Cardboard inside: 8,1 oz
- Cardboard outside, 5ply Corrugated: 18,8 oz

WEIGHT INCL. PACKAGING - TOTAL

3,3 lb

NUMBER OF PARCELS

1 pcs.

GRASHOPPA //PENDANT. US MODEL

Designed by Greta Grossman

ACCESSORIES

-

ENVIRONMENT

-

TESTS

-

CERTIFICATION AND LABELS

CUL-CERTIFIED

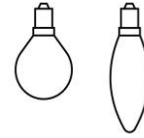
SAFETY INSTRUCTIONS

If the cord or plug is damaged, unplug it from the socket with dry hands. Do not use the lamp until it is

Instructions document: No. 53-20-001-02

LIGHT SOURCE:

- Socket: E14 base
- Bulb types recommended:



- Recommended light sources:

If LED is chosen, only dimmable versions work.

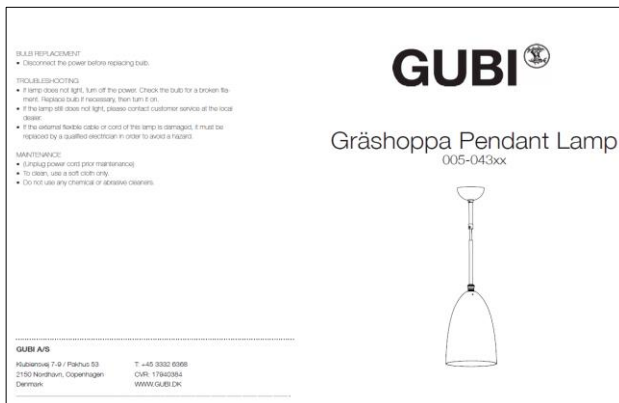
470 Lumen (~ 40W incandescent –
30W halogen ~ 4-6W LED)

- Max. light out put for above lamps:

470 Lumen (~ 40W incandescent –
30W halogen ~ 4-6W LED)

- Best result is achieved with frosted light bulbs with a CRI (Colour Rendering Index) larger than 90.
- Lightbulb not included.

- All lamps can be fitted with a dimmer - Please contact your local electrician.



- US plug: Type A, 2 PIN, 15 amp, (NEMA 1-15)

- US voltage: 120 V

- Frequency: 60 Hz

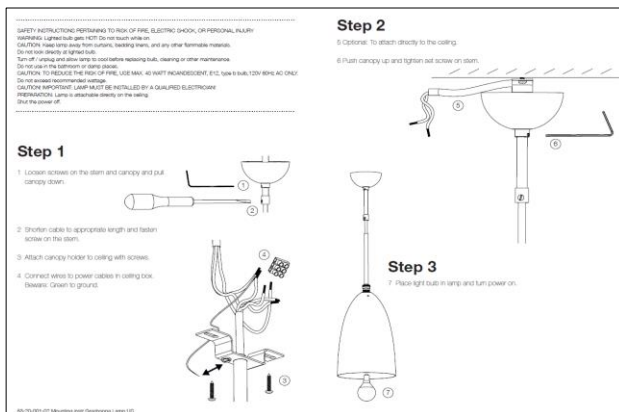
- Supply voltage: AC power ~

- Normally Closed: IP20



Class II / Double insulated

Mark for Canada and the U.S.



Luminaires accepted for mounting on a flammable base