

Designed by Greta Grossman

PRODUCT



COLORS



DESCRIPTION

The iconic Gräshoppa table lamp was first produced in 1948. The tubular brass stand is mounted on a brass base whilst the elongated conical steel shade is mounted with a moveable joint in solid brass, consequently the light can be directional, yet the glare is minimal. The shade is powder-coated and available in 5 colours. Switch integrated in the base.

VERSION - GRÄSHOPPA TABLE LAMP

RAL codes are indicative.

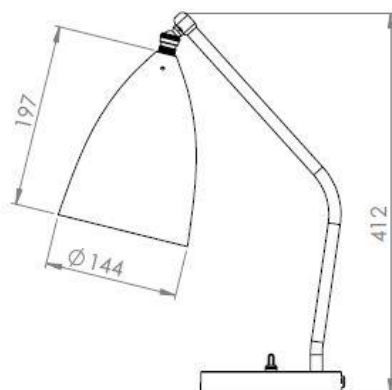
- Fabric wire - Golden:
- Jet Black / White inside // RAL 9005 / RAL 9003 // Gloss level 20 / Gloss level 20
- Anthracite grey / White inside // RAL 7016 / RAL 9003 // Gloss level 20 / Gloss level 20
- Blue grey / White inside // RAL 160 60 05 / RAL 9003 // Gloss level 20 / Gloss level 20
- Matt white / White inside // RAL 9003 / RAL 9003 // Gloss level 20 / Gloss level 20
- Vintage red / White inside // RAL 3012 / RAL 9003 // Gloss level 20 / Gloss level 20
- Andorra red / White inside // RAL 020 30 20 / RAL 9003 // Gloss level 17 / Gloss level 20
- Oyster white/ White inside // RAL 1013 / RAL 9003 // Gloss level 17 / Gloss level 20

VERSION

Order item - look for part number in the pricelist.

Series contains the following:

- GM1 GRÄSHOPPA**
- GM2 COBRA TABLE**
- GM3 COBRA FLOOR**
- GRÄSHOPPA TASK TABLE LAMP**
- GRÄSHOPPA PENDANT**
- COBRA WALL LAMP**



FACTS

MATERIAL

Shade: Powder-coated steel
Stand: Brass tube: dia. 0,5 inches
Base: Cover in brass, inside counterweight in steel

MEASUREMENT - L x W x H inches

Lamp height: 16,2 inches
Lamp base: dia. 5,9 inches
Shade height: 7,8 inches
Shade diameter: dia. 5,7 inches
Cable length, exposed: Approx. 98,4 inches

WEIGHT ITEM - LAMP INCL. WIRE

4,9 lb

PACKAGING TYPE

Cardboard box

PACKAGING MEASUREMENT - L x W x H inches

L: 18,1 x W: 16,5 x H: 9,8 inches

WEIGHT PACKAGING - MATERIAL TYPE (recycleable)

- Delivery note: 0,35 oz
- LD-EPE foam: 7,2 oz
- EPE bag: 0,17 oz
- PE polybag: 0,21 oz
- Cardboard inside: 9,3 oz
- Cardboard outside, 5ply Corrugated: 2,4 lb

WEIGHT INCL. PACKAGING - TOTAL

8,4 lb

NUMBER OF PARCELS

1 pcs.

ACCESSORIES

-

ENVIRONMENT

-

TESTS

-

CERTIFICATION AND LABELS

CUL-APPROVED

SAFETY INSTRUCTIONS

If the cord or plug is damaged, unplug it from the socket with dry hands. Do not use the lamp until it is repaired by a qualified Electrician.

Instructions document: No. 53-20-003-01

BULB REPLACEMENT

- Disconnect the power before replacing bulb.

TROUBLESHOOTING

- If lamp does not light, turn off the power. Check the bulb for a broken filament. Replace bulb if necessary. Then turn it on.
- If the lamp still does not light, please contact customer service at the local dealer.
- If the external flexible cable or cord of this lamp is damaged, it must be replaced by a qualified electrician in order to avoid a hazard.

MAINTENANCE

- Employ proper cord care maintenance.
- To clean, use a soft cloth only.
- Do not use any chemical or abrasive cleaners.

GUBI AS

Klubbenveg 7-9 / Pflaust 53 T +45 3332 0308
 2150 Nordhavn, Copenhagen DKR 17862044
 Denmark WWW.GUBI.DK

GUBI
 Gräshoppa Task Lamp
 005-053xx

WARNING! Read the instructions carefully to avoid an electric shock, OR PERSONAL INJURY!
 VARNING! Läs noggrant igenom alla instruktioner, för att undvika elektriska skador, eller andra personliga skador.
 Do not use shades or light bulb. Turn off power and allow lamp to cool before replacing bulb, cleaning or other maintenance. Do not use in the bathroom or other place.
CAUTION: TO REDUCE THE RISK OF FIRE, USE ONLY 40 WATT INCANDESCENT (E12) BULB (E26 BULB 15W/60W 40 ONLY).
 Do not use non-standard shades.
CAUTION: TO REDUCE THE RISK OF FIRE, USE ONLY 40 WATT INCANDESCENT (E12) BULB (E26 BULB 15W/60W 40 ONLY).
 Verboten! Schalten Sie den Strom ab.

Step 1

- Unpack lamp.
- Place on stable ground.

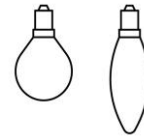
Step 2

- Plug lamp to mains voltage.
- Push switch to turn lamp on and off.

80-20-003-01 Mounting and Gräshoppa Task Lamp/UK

LIGHT SOURCE:

- Socket: E12 base
- Bulb types recommended:



- Recommended light sources:

If LED is chosen, only dimmable versions work.

470 Lumen (~ 40W incandescent ~ 30W halogen ~ 4-6W LED)

- Max. light out put for above lamps:

470 Lumen (~ 40W incandescent ~ 30W halogen ~ 4-6W LED)

- Best result is achieved with frosted light bulbs with a CRI (Colour Rendering Index) larger than 90.

- Lightbulb not included.

- All lamps can be fitted with a dimmer -Please contact your local electrician.

- Lightbulb not included

- US plug: Type A, 2 PIN, 15 amp, (NEMA 1-15)

- US voltage: 120 V

- Frequency: 60 Hz

- Supply voltage: AC power ~

- Normally Closed: IP20



Class II / Double insulated



Mark for Canada and the U.S.



Luminaires accepted for mounting on a flammable base

GUBI

GRÄSHOPPA TASK LAMP // Designed by Greta Grossman

DK

Tilfælde med den Gräshoppa lampe designeret af Greta Grossman i 1947. Vi håber du vil blive glad for den.

Etter et stykke tid vil du muligvis opleve, at ledet på skærmens bærer kan eg har brug for efteropretning. Dette gøres ved at dreje messing understøtten på billedet ned ad.

Obs: Duetal at rotere skærmens grene på den måde, da det kan forårsage defekt.

ENG

Contemplation with your Gräshoppa lamp designed by Greta Grossman in 1947. We hope you will enjoy it.

After some time you may find that the joints on the shade will get loose and needs re tightening. This can be done by turning the brass nut clockwise.

Caution: Do not rotate the shade repeatedly on its axis, as this might result in malfunctioning.

DE

Grazulation zu Ihrer Gräshoppa Leuchte Entworfen 1947 von Greta Grossman. Wir wünschen Ihnen viel Freude damit.

Im Laufe der Zeit werden die Verbindungen des Leuchtens Schirmes an Lieder der Zeit lockern kann und nachgezogen werden muss. Drehen Sie diese die Messing Mutter im Uhrzeigersinn los.

Achtung: Bitte drehen Sie den Schirm nicht mehrmals um seine Achse, dies verursacht einen Defekt.