

PRODUCT

VIEWS



DESCRIPTION

The Modern Line sofa collection was designed in 1949 by Greta M. Grossman. Modern Line was one of her most elegant and minimalistic designs and was praised in particular for being representative of her background in Scandinavian design. Her timeless sofa collection has a sleek, feminine and light expression that is supported with elegant slender legs, which is a true signature for Greta M. Grossman's designs.

In Grossman's own words, the sofa was "developed out of our own preferences for living in a modern way." Modern Line was also at the forefront of championing Nozag springs, new materials and technology. The sofa was one of the first to use industrialized technology for upholstery of sofas.

MATERIALS

The Lounge chair is constructed with a frame of solid pinewood, plywood and precovered chipboard.

No-zak springs are mounted on the seat frame for extra comfort.

Foam characteristics for seat: Main foam HR 40 kg / 150 N. Top layer HR 35 kg / 120 N

Foam characteristics for back: HR 35 kg / 120 N

Back and seat is covered with fiber wadding

The chair is available in a wide range of fabrics.

Legs Ø13 mm // Black - powder coated RAL 9005 / gloss 20-30

Legs Ø13 mm // Brass plated

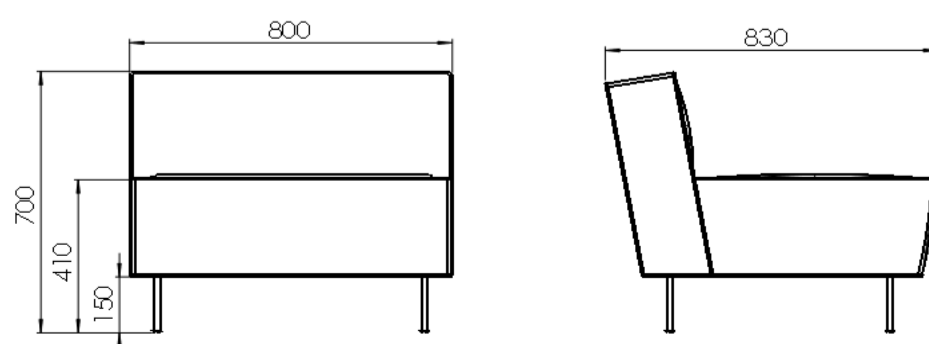
VERSIONS

Order item - look for item number in the pricelist.

The series consists of the following:

- LOUNGE CHAIR - 80 cm
- SOFA 2-seater - 182 cm
- SOFA 3-seater - 240 cm
- SOFA 4-seater - 300 cm

- POUF Ø80
- POUF Ø38
- CHAISE LOUNGE



FACTS

MEASUREMENT

Length: 80 cm

Depth: 83 cm

Height: 70 cm

Seat height: 41 cm

Seat depth: 60 cm

Leg height: 15 cm

WEIGHT ITEM

25 kg

PACKAGING TYPE

Cardboard and plastic cover

PACKAGING MEASUREMENT - L x W x H CM

85 x 90 x 56 cm

WEIGHT PACKAGING

1 kg

NUMBER OF PARCELS

1 pcs.

NOTICE!

Legs are separately included and not mounted upon delivery

FABRIC CONSUMPTION

140cm x 2.5 m

Designed by Greta M. Grossman

ACCESSORIES

-

CLEANING AND MAINTENANCE

For cleaning the upholstered surface, first try to brush off the dirt gently. If this is not enough then vacuum the surface.
If further cleaning of the padding is needed, a stain remover is recommended. The cleaning has to be gentle and must always be tested on the most invisible area of the surface before the actual cleaning. Avoid blotches by gentle, circular rubbing towards the stain.
To avoid stains, quickly remove the dirt with a piece of absorbing household wipe and clean with water and colourless washing-up liquid.
Do not use the following products for the padding:

- Undiluted cleaning liquids.
- Bleach.
- Ammoniac.
- Soap for hard surfaces.

For further cleaning guidance, we refer to information regarding the specific textile.

ENVIRONMENT

Parts can be separated and sorted for recycling.

TESTS

-

CERTIFICATION AND LABELS

-

PRODUCT

VIEWS



DESCRIPTION

The Modern Line sofa collection was designed in 1949 by Greta M. Grossman. Modern Line was one of her most elegant and minimalistic designs and was praised in particular for being representative of her background in Scandinavian design. Her timeless sofa collection has a sleek, feminine and light expression that is supported with elegant slender legs, which is a true signature for Greta M. Grossman's designs. In Grossman's own words, the sofa was "developed out of our own preferences for living in a modern way." Modern Line was also at the forefront of championing Nozag springs, new materials and technology. The sofa was one of the first to use industrialized technology for upholstery of sofas.

MATERIALS

The Lounge chair is constructed with a frame of solid pinewood, plywood and precovered chipboard.

No-zak springs are mounted on the seat frame for extra comfort.

Foam characteristics for seat: Main foam HR 40 kg / 150 N. Top layer HR 35 kg / 120 N

Foam characteristics for back: HR 35 kg / 120 N

Back and seat is covered with fiber wadding

The chair is available in a wide range of fabrics.

Legs Ø13 mm // Black - powder coated RAL 9005 / gloss 20-30

Legs Ø13 mm // Brass plated

VERSIONS

Order item - look for item number in the pricelist.

The series consists of the following:

LOUNGE CHAIR - LOW

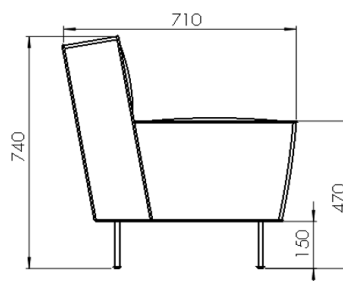
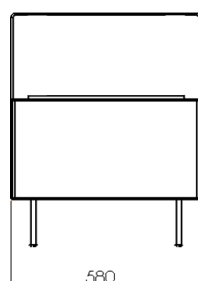
LOUNGE CHAIR - HIGH

SOFA - HIGH - 165 CM , 280 CM, 350 CM

SOFA - 182 CM, 240 CM, 300 CM

CHAISE LONGUE

DAY BED



FACTS

MEASUREMENT

Length: 58 cm

Depth: 71 cm

Height: 74 cm

Seat height: 47 cm

Seat depth: 51 cm

Leg height: 15 cm

WEIGHT ITEM

17 kg

PACKAGING TYPE

Cardboard and plastic cover

PACKAGING MEASUREMENT - L x W x H CM

61 x 76 x 63 cm

WEIGHT PACKAGING

2 kg

NUMBER OF PARCELS

1 pcs.

NOTICE!

Legs are separately included and not mounted upon delivery

FABRIC CONSUMPTION

140cm x 1.8 m

Designed by Greta M. Grossman

ACCESSORIES

-

CLEANING AND MAINTENANCE

For cleaning the upholstered surface, first try to brush off the dirt gently. If this is not enough then vacuum the surface.

If further cleaning of the padding is needed, a stain remover is recommended. The cleaning has to be gentle and must always be tested on the most invisible area of the surface before the actual cleaning. Avoid blotches by gentle, circular rubbing towards the stain.

To avoid stains, quickly remove the dirt with a piece of absorbing household wipe and clean with water and colourless washing-up liquid.

Do not use the following products for the padding:

- Undiluted cleaning liquids.
- Bleach.
- Ammoniac.
- Soap for hard surfaces.

For further cleaning guidance, we refer to information regarding the specific textile.

ENVIRONMENT

Parts can be separated and sorted for recycling.

TESTS

-

CERTIFICATION AND LABELS

-