

Designed by Oliver Schick

### PRODUCT



Item no.: 006-011  
 + style code:  
 - 00: Pigeon Grey  
 - 01: Charcoal Black  
 - 02: Anthracite Grey  
 - 03: Rusty Red  
 - 05: Matt White

### DESCRIPTION

The Ronde Pendant designed by Oliver Schick is made of spun aluminium with aluminium light fittings. The outer surface is powercoated in 5 different colors: Pigeon Grey, Charcoal Black, Anthracite, Rusty Red and Matt White. The inside is always powercoated laquered in white. The fabric wire and the canopy is always black except for the matt white, where both fabric wire and canopy is white. The pendant comes in 2 sizes Ø200 mm and Ø400 mm

### VERSION - RONDE PENDANT

- Fabric wire and canopy - black:  
 - Pigeon Grey / White inside // RAL 7000 (nearest) / RAL 9003 // Gloss grade 2 / Gloss grade 2  
 - Charcoal Black / White inside // RAL 7011 (nearest) / RAL 9003 // Gloss grade 2 / Gloss grade 2  
 - Rusty Red / White inside // RAL 3016 (nearest) / RAL 9003 // Gloss grade 2 / Gloss grade 2  
 - Anthracite Grey / White inside // RAL 7016 (nearest) / RAL 9003 // Gloss grade 2 / Gloss grade 2

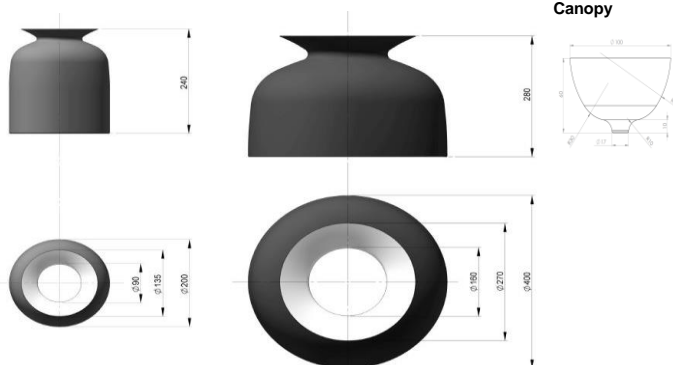
- Fabric wire and canopy - white:  
 - Matt White / White inside // RAL 9003 / RAL 9003 // Gloss grade 2 / Gloss grade 2

### VERSION - RONDE PENDANT

Order item - look for part number in the pricelist.

Series contains the following:

**RONDE PENDANT Ø20**  
**RONDE PENDANT Ø40**



Canopy

### COLORS



// Pigeon Grey



// Charcoal Black



// Anthracite Grey



// Rusty Red



// Matt White

### FACTS

#### MEASUREMENT - L x W x H mm

Lamp height: 240 mm  
 Lamp bottom diameter: Ø200 mm  
 Lamp top diameter: Ø135 mm  
 Lamp middle diameter: Ø90 mm  
 Cable length, exposed: APP. 5000 mm  
 Canopy: Ø100mm, height 60mm

#### WEIGHT ITEM - LAMP INCL. WIRE

688 g

#### PACKAGING TYPE

Cardboard box

#### PACKAGING MEASUREMENT - L x W x H cm

L: 26,5 x W: 26,5 x H: 42,5 cm

#### WEIGHT PACKAGING - MATERIAL TYPE (recyclable)

- Delivery note: 6 g  
 - PS foam: 41 g  
 - PE polybag: 19 g  
 - Cardboard inside: 239 g  
 - Cardboard outside, 5ply Corrugated: 570 g

#### WEIGHT TOTAL - INCL. PACKAGING

1563 g

#### NUMBER OF PARCELS

1 pcs.

Designed by Oliver Schick

### ACCESSORIES

-

### ENVIRONMENT

-

### TESTS

-

### CERTIFICATION AND LABELS

CUL-CERTIFIED

### SAFETY INSTRUCTIONS

If the cord or plug is damaged, unplug it from the socket with dry hands. Do not use the lamp until it is repaired by a qualified Electrician.

Bulb requirements\*:

- Socket: E26 base
- Recommended light source: Halogen light bulb
- Recommended wattage: 42 W Halogen (=60W incandescent)
- Max. wattage: 70 W incandescent

\* Lightbulb not included.

- US plug: Type A, 2 PIN, 15 amp, (NEMA 1-15)
- US voltage: 120 V
- Frequency: 60 Hz
- Supply voltage: AC power ~
- Normally Closed: IP20



Class II / Double insulated



CUL-Mark



Luminaires accepted for mounting on a flammable base

Designed by Oliver Schick

PRODUCT



- Item no.: 006-021  
 + style code:  
 - 00: Pigeon Grey  
 - 01: Charcoal Black  
 - 02: Anthracite Grey  
 - 03: Rusty Red  
 - 05: Matt White

DESCRIPTION

The Ronde Pendant designed by Oliver Schick is made of spun aluminium with aluminium light fittings. The outer surface is powercoated in 5 different colors: Pigeon Grey, Charcoal Black, Anthracite, Rusty Red and Matt White. The inside is always powercoated laquered in white. The fabric wire and the canopy is always black except for the matt white, where both fabric wire and canopy is white. The pendant comes in 2 sizes Ø200 mm and Ø400 mm

VERSION - RONDE PENDANT

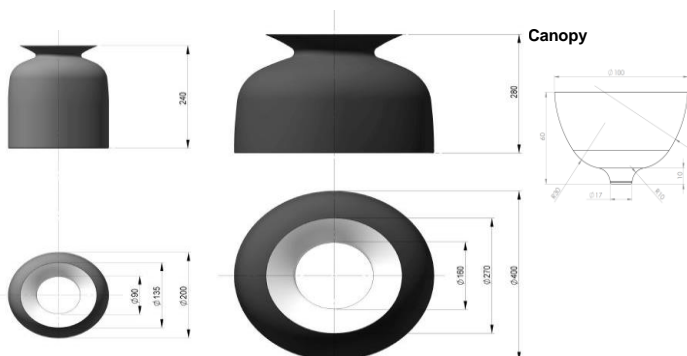
- Fabric wire and canopy - black:
- Pigeon Grey / White inside // RAL 7000 (nearest) / RAL 9003 // Gloss grade 2 / Gloss grade 2
- Charcoal Black / White inside // RAL 7011 (nearest) / RAL 9003 // Gloss grade 2 / Gloss grade 2
- Rusty Red / White inside // RAL 3016 (nearest) / RAL 9003 // Gloss grade 2 / Gloss grade 2
- Anthracite Grey / White inside // RAL 7016 (nearest) / RAL 9003 // Gloss grade 2 / Gloss grade 2
- Fabric wire and canopy - white:
- Matt White / White inside // RAL 9003 / RAL 9003 // Gloss grade 2 / Gloss grade 2

VERSION - RONDE PENDANT

Order item - look for part number in the pricelist.

Series contains the following:

- RONDE PENDANT Ø20
- RONDE PENDANT Ø40



COLORS



FACTS

MEASUREMENT - L x W x H mm

- Lamp height: 280 mm
- Lamp bottom diameter: Ø400 mm
- Lamp top diameter: Ø270 mm
- Lamp middle diameter: Ø160 mm
- Cable length, exposed: APP. 5000 mm
- Canopy: Ø100mm, height 60mm

WEIGHT ITEM - LAMP INCL. WIRE  
 1310 g

PACKAGING TYPE  
 Cardboard box

PACKAGING MEASUREMENT - L x W x H cm  
 L: 46,5 x W: 46,5 x H: 46,5 cm

WEIGHT PACKAGING - MATERIAL TYPE (recyclable)

- Delivery note: 6 g
- PS foam: 234 g
- PE polybag: 38 g
- Cardboard outside: 1045 g

WEIGHT TOTAL - INCL. PACKAGING  
 2633 g

NUMBER OF PARCELS  
 1 pcs.

Designed by Oliver Schick

### ACCESSORIES

---

-

### ENVIRONMENT

---

-

### TESTS

---

-

### CERTIFICATION AND LABELS

---

CE-CERTIFIED

### SAFETY INSTRUCTIONS

---

If the cord or plug is damaged, unplug it from the socket with dry hands. Do not use the lamp until it is repaired by a qualified Electrician.

#### Bulb requirements\*:

- Socket: E27 base
- Recommended light source - All fluorescens light bulbs:
  - Recommended wattage: 15 W
  - Max. wattage: 20 W
- Recommended light source - Halogen light bulbs:
  - Recommended wattage: 42 W
  - Max. wattage: 70 W

\*Lightbulb not included

\*Euro voltage: 230 V

\*Frequency: 50 Hz

\*Supply voltage: AC power –

\*Normally Closed: IP20



Class II / Double insulated



CE-Mark



Luminaires accepted for mounting on a flammable base

# Lighting Systems / Dimmable Lamps

## Do GUBI lamps work with a time control function?

---

e.g. DALI light-steering system

- A lighting control system is controlled from a “sender unit” and needs a “receiver unit”.
- Our lamps are very simple and have no “receiver unit”.
- The receiver unit needs to be in the ceiling or wall. Also the light source needs to be dimmable.

