

# Technical Information

## D I M E N S I O N S

---

### All Sofas

Depth	900 mm / 35.4"
Height	760 mm / 29.9"
Seat Height	400 mm / 15.7"
Armrest Height	700 / 27.6"
Seat Depth	600 mm / 23.6"
Legs	20 mm / 0.8"

## W E I G H T

---

Single mid section with one cushion	26,5 kg
Single corner section with two cushions	32,5 kg
Pouffe	19,5 kg
Add approximately 10kg per section for packaging	

## M A T E R I A L

---

**Frame** Solid pine, particle board and plywood (with optional upholstery)

**Legs** Black lacquered MDF

**Seat Filling** Foam particle and duck feather (50% / 50%)

**Cushion Filling** On the front side of the cushion there is 23 kg/m<sup>3</sup>, 60 N on the front. On the back side there is 10mm of 18kg/m<sup>3</sup>, 160 N foam and two layers of 320g/m<sup>2</sup> wadding.

**Attachments** Velcro (optional), tailor-made zippers, magnets with plastic stiffeners

**Springs** Nozag springs on the seat and 10 cm 30kg/m<sup>3</sup>, 150 N foam.

**Upholstery** Velvet, linen or leather option

**Optional** Removable Upholstery

## P R O D U C T I O N L E A D T I M E

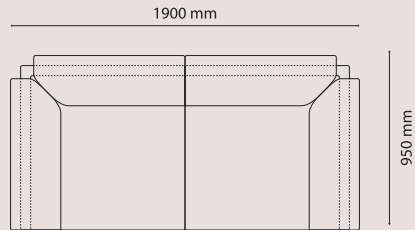
---

**5-6 weeks**

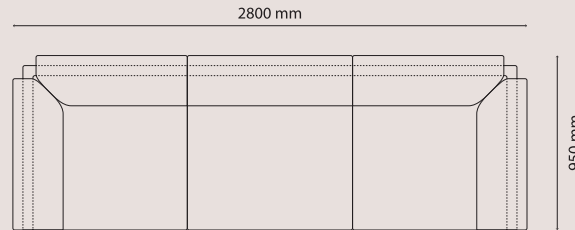


# The Wonder of Modularity

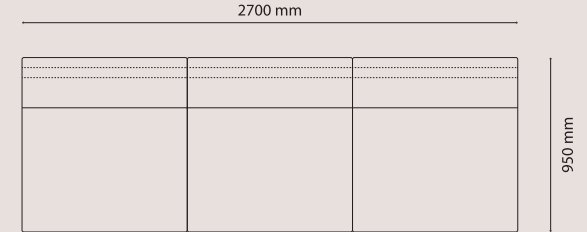
**WONDER SOFA - 2-SEATER**



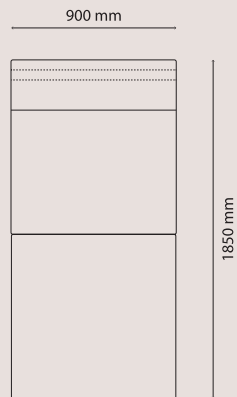
**WONDER SOFA - 3-SEATER WITH ARMREST**



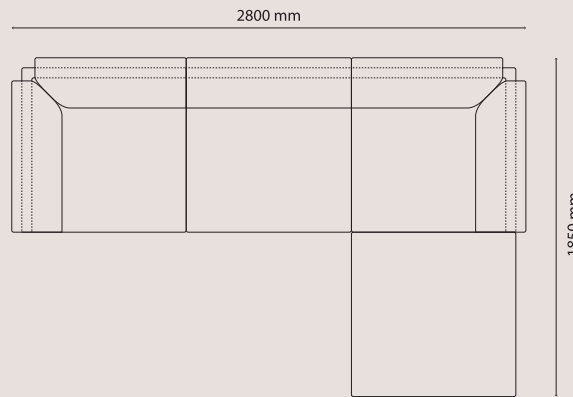
**WONDER SOFA - 3-SEATER WITHOUT ARMREST**



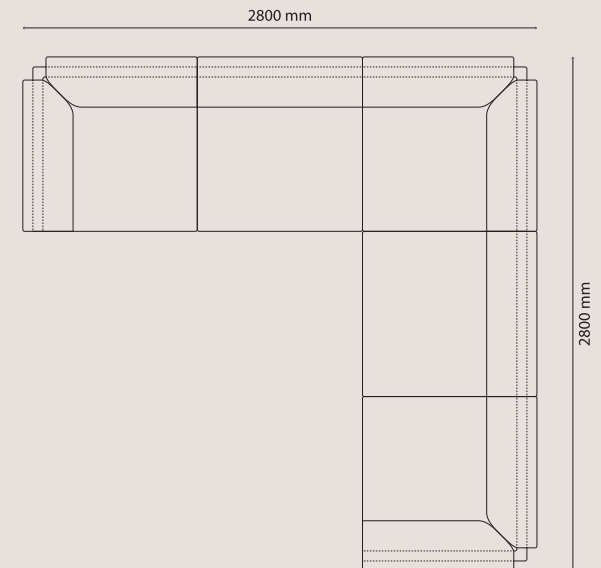
**WONDER CHAISE LONGUE**



**WONDER SOFA - 3-SEATER WITH CHAISE LONGUE**



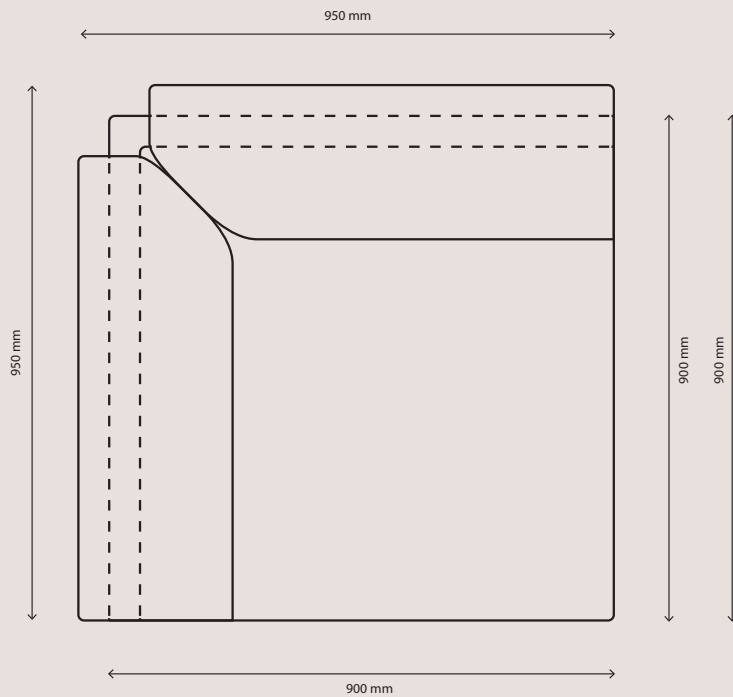
**WONDER CORNER SOFA - 2 X 3-SEATER**



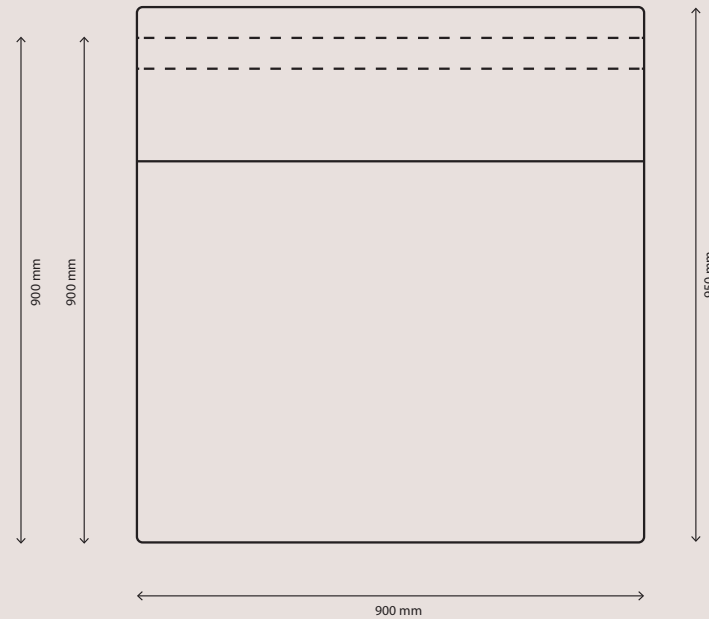
# The Wonder Modularity

Endless combinations of its three modules enable it to adapt to users' changing needs. Its carefully considered design offers the flexibility to create 360° approachable landscapes.

**WONDER MODULE - CORNER**



**WONDER MODULE - MID SECTION**



**WONDER MODULE - POUFFE**

