

NOÉ DUCHAUFOUR LAWRENCE

BORGHESE

Sofa (2 seaters) ●● 2012



MATERIALS & FINISHES

- UPHOLSTERY
-  Stone grey
 -  Natural green
 -  Custom upholstery for each cushion

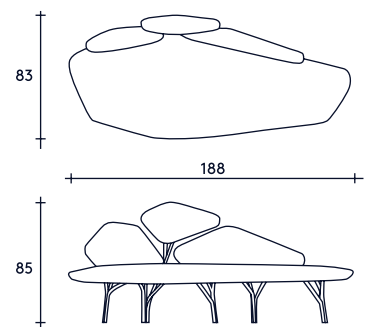
- STRUCTURE
-  Mat black

MATERIALS

- Textured steel structure
- High density foam
- Wool

DIMENSIONS & WEIGHT

	BORGHESE	WITH PACKAGING
HEIGHT	85cm / 33,5in.	90cm / 35,5in.
DEPTH	83cm / 32,6in.	80cm / 31,5in.
WIDTH	188cm / 74in.	190cm / 75in.
WEIGHT	65kg / 134lbs.	90kg / 198lbs.



OTHER DETAILS

- TECHNICAL INFORMATION Delivery : 10 weeks
Upholstery: selection of fabrics from Kvadrat, Gabriel and Pierre Frey.
- PACKAGING 1 wooden crate
- MAINTENANCE Always use a microfiber cloth and rub lightly. Never apply solvents.

NOÉ DUCHAUFOUR LAWRENCE

BORGHESE

Sofa (3 seaters) ●● 2017



MATERIALS & FINISHES

UPHOLSTERY



Stone grey



Natural green



Custom upholstery for each cushion

STRUCTURE



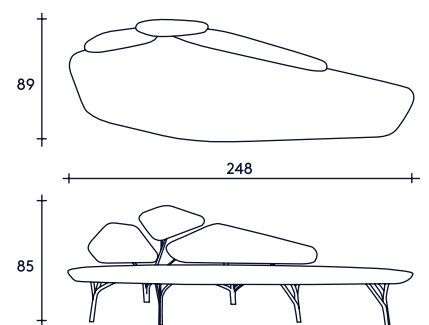
Mat black

MATERIALS

- Textured steel structure
- High density foam
- Wool

DIMENSIONS & WEIGHT

	BORGHESE	WITH PACKAGING
HEIGHT	85cm / 33,5in.	90cm / 35,5in.
DEPTH	89cm / 35in.	115cm / 45,5in.
WIDTH	248cm / 97,5in.	260cm / 102in.
WEIGHT	85kg / 187lbs.	115kg / 253lbs.



OTHER DETAILS

TECHNICAL INFORMATION	Delivery : 10 weeks Upholstery: selection of fabrics from Kvadrat, Gabriel and Pierre Frey.
PACKAGING	1 wooden crate
MAINTENANCE	Always use a microfiber cloth and rub lightly. Never apply solvents.