

NOÉ DUCHAUFOUR LAWRENCE



BORGHESE

Coffee table ●● 2014



MATERIALS & FINISHES

FINISHES

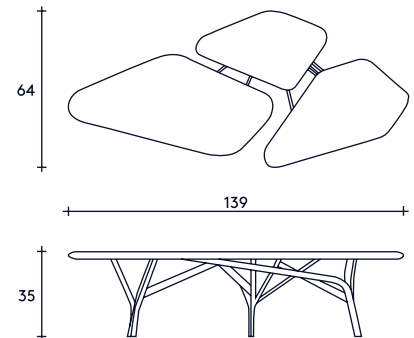
-  Black steel structure, mat natural wood top
-  Black steel structure, mat black stained wood top

MATERIALS

- Solid oak
- Textured steel structure

DIMENSIONS & WEIGHT

	BORGHESE	WITH PACKAGING
HEIGHT	35cm / 13,8in.	45cm / 17,7in.
WIDTH	139cm / 54,7in.	143cm / 56,3in.
DEPTH	64cm / 25,2in.	70cm / 27,6in.
WEIGHT	25kg / 55lbs.	29kg / 63lbs.



OTHER DETAILS

TECHNICAL INFORMATION	Delivery: in stock
PACKAGING	1 cardboardbox
MAINTENANCE	Always use a microfiber cloth and rub lightly. Never apply any solvents.