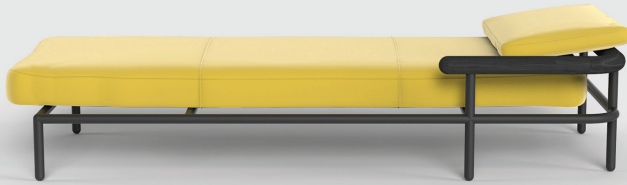


ALAIN GILLES




# X RAY DAYBED

Daybed ●● 2017



## MATERIALS & FINISHES

### FINISHES

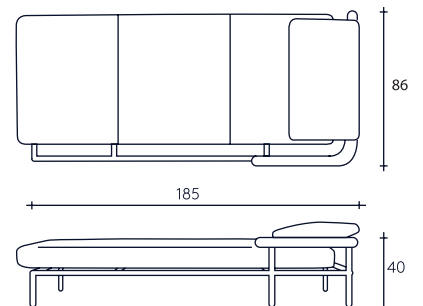
-  Red steel structure  
natural ash armrest
-  Black steel structure  
black mat ash armrest
-  Custom upholstery  
and structure

### MATERIALS

- Tube structure in steel
- Back in flat steel
- Sitting strap
- Foam cushions
- Solid wood (ash)

## DIMENSIONS & WEIGHT

	X RAY	WITH PACKAGING
HEIGHT	40cm / 15,8in.	50cm / 17,7in.
WIDTH	185cm / 72,3in.	210cm / 74,8in.
DEPTH	86cm / 33,5in.	110cm / 37,8in.
WEIGHT	90kg / 198,4lbs	110kg / 242,5lbs



## OTHER DETAILS

TECHNICAL INFORMATION	Delivery: 10 weeks Each sofa is custom made according to the specifications of each client chosen among the range of leathers (full anilin, semi anilin), fabrics (Pierre Frey, Gabriel, Kvadrat), or client's fabric.
PACKAGING	1 cardboard box
MAINTENANCE	Always use a soft brush and rub lightly. Never apply any solvents.