

ALAIN GILLES

# X RAY OTTOMAN

Ottoman ●● 2017



## MATERIALS & FINISHES

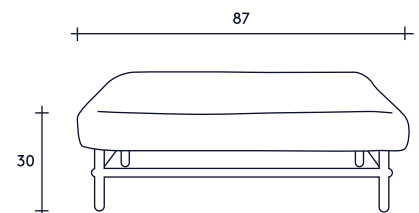
- FINISHES**
-  Red steel structure
  -  Black steel structure
  -  Custom upholstery and structure

## MATERIALS

- Tube structure in steel
- Sitting strap
- Foam cushion

## DIMENSIONS & WEIGHT

	X RAY	WITH PACKAGING
HEIGHT	30cm/11,8in.	35cm/13,8in.
WIDTH	87cm/34,3in.	92cm/36,3in.
DEPTH	87cm/34,3in.	92cm/36,3in.
WEIGHT	25 kg/55,1lbs	40 kg/88,1lbs



## OTHER DETAILS

TECHNICAL INFORMATION	Delivery: 10 weeks Each sofa is custom made according to the specifications of each client chosen among the range of leathers (full anilin, semi anilin), fabrics (Pierre Frey, Gabriel, Kvadrat), or client's fabric.
PACKAGING	1 cardboard box
MAINTENANCE	Always use a soft brush and rub lightly. Never apply any solvents.

ALAIN GILLES




# X RAY OTTOMAN TABLE

Ottoman ●● 2017



## MATERIALS & FINISHES

### FINISHES

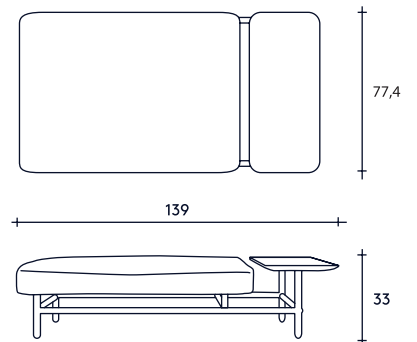
-  Black steel structure  
black mat ash table
-  Red steel structure  
natural ash table
-  Custom upholstery  
and structure

### MATERIALS

- Tube structure in steel
- Sitting strap
- Foam cushions
- Solid wood (ash)

## DIMENSIONS & WEIGHT

	X RAY	WITH PACKAGING
HEIGHT	33cm/13in.	40cm/15,7in.
WIDTH	139cm/54,8in.	145cm/57,1in.
DEPTH	79cm/31,2in.	85cm/33,5in.
WEIGHT	30kg/66,1lbs	45kg/99,2lbs



## OTHER DETAILS

TECHNICAL INFORMATION	Delivery: 10 weeks Each sofa is custom made according to the specifications of each client chosen among the range of leathers (full anilin, semi anilin), fabrics (Pierre Frey, Gabriel, Kvadrat), or client's fabric.
PACKAGING	1 cardboard box
MAINTENANCE	Always use a soft brush and rub lightly. Never apply any solvents.