




ALAIN GILLES

X RAY SOFA

Sofa (2 seaters) ●● 2015



MATERIALS & FINISHES

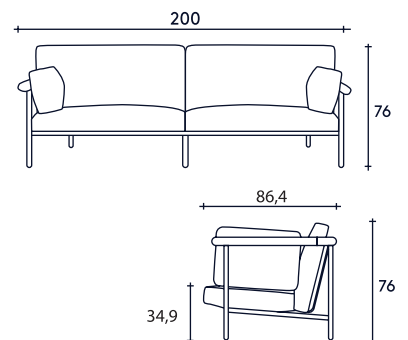
- FINISHES**
-  Black and white steel structure, black mat ash armrest
 -  Blue and red steel structure, natural ash armrest
 -  Custom upholstery and structure

MATERIALS

- Tube structure in steel
- Back in flat steel
- Sitting strap
- Foam cushions
- Solid wood (ash)

DIMENSIONS & WEIGHT

	X RAY	WITH PACKAGING
HEIGHT	76cm/30in.	86cm/33,5in.
WIDTH	200cm/78,7in.	205cm/80,7in.
DEPTH	86cm/33,5in.	96cm/37,8in.
WEIGHT	90kg/198lbs.	110kg/242lbs.



OTHER DETAILS

- TECHNICAL INFORMATION** Delivery: 10 weeks
Each sofa is custom made according to the specifications of each client chosen among the range of leathers (full anilin, semi anilin), fabrics (Pierre Frey, Gabriel, Kvadrat), or client's fabric.
- PACKAGING** 1 cardboard box
- MAINTENANCE** Always use a soft brush and rub lightly. Never apply any solvents.

ALAIN GILLES




X RAY SOFA

Sofa (3 seaters) ●● 2015



MATERIALS & FINISHES

FINISHES

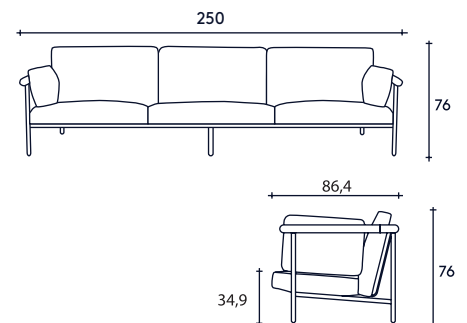
-  Black and white steel structure, black mat ash armrest
-  Blue and red steel structure, natural ash armrest
-  Custom upholstery and structure

MATERIALS

- Tube structure in steel
- Back in flat steel
- Sitting strap
- Foam cushions
- Solid wood (ash)

DIMENSIONS & WEIGHT

	X RAY	WITH PACKAGING
HEIGHT	76cm / 30in.	86cm / 33,5in.
WIDTH	250cm / 98,5in.	255cm / 100,4in.
DEPTH	86cm / 33,5in.	96cm / 37,8in.
WEIGHT	100kg / 220lbs.	120kg / 264lbs.



OTHER DETAILS

TECHNICAL INFORMATION	Delivery: 10 weeks Each sofa is custom made according to the specifications of each client chosen among the range of leathers (full anilin, semi anilin), fabrics (Pierre Frey, Gabriel, Kvadrat), or client's fabric.
PACKAGING	1 cardboard box
MAINTENANCE	Always use a soft brush and rub lightly. Never apply any solvents.




ALAIN GILLES

X RAY SOFA

Sofa (4 seaters) ●● 2015



MATERIALS & FINISHES

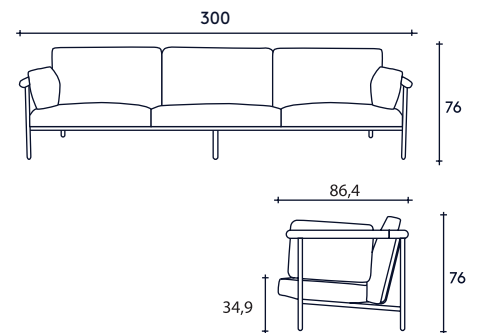
- FINISHES**
-  Black and white steel structure, black mat ash armrest
 -  Blue and red steel structure, natural ash armrest
 -  Custom upholstery and structure

MATERIALS

- Tube structure in steel
- Back in flat steel
- Sitting strap
- Foam cushions
- Solid wood (ash)

DIMENSIONS & WEIGHT

	X RAY	WITH PACKAGING
HEIGHT	76cm / 30in.	86cm / 33,5in.
WIDTH	300cm / 118,1in.	305cm / 120in.
DEPTH	86cm / 33,5in.	96cm / 37,8in.
WEIGHT	130kg / 286lbs.	150kg / 330lbs.



OTHER DETAILS

- TECHNICAL INFORMATION** Delivery: 10 weeks
Each sofa is custom made according to the specifications of each client chosen among the range of leathers (full anilin, semi anilin), fabrics (Pierre Frey, Gabriel, Kvadrat), or client's fabric.
- PACKAGING** 1 cardboard box
- MAINTENANCE** Always use a soft brush and rub lightly. Never apply any solvents.