



REVISED 9/12/18

**PRODUCT**

JAX CHANDELIER  
JAX 09-001

**MATERIALS (FINISHES)**

ANODIZED ALUMINUM (AGED  
BRONZE, GOLDEN BRONZE, BLACK,  
SILVER)

SOLID OPTIC CRYSTAL (CLEAR,  
FROSTED, SMOKE)

**WEIGHT**

5.6 LBS

**LAMPING**

INTEGRATED LED (QTY 9)  
1.3W, 3000K  
ELV AND PHASE DIMMABLE

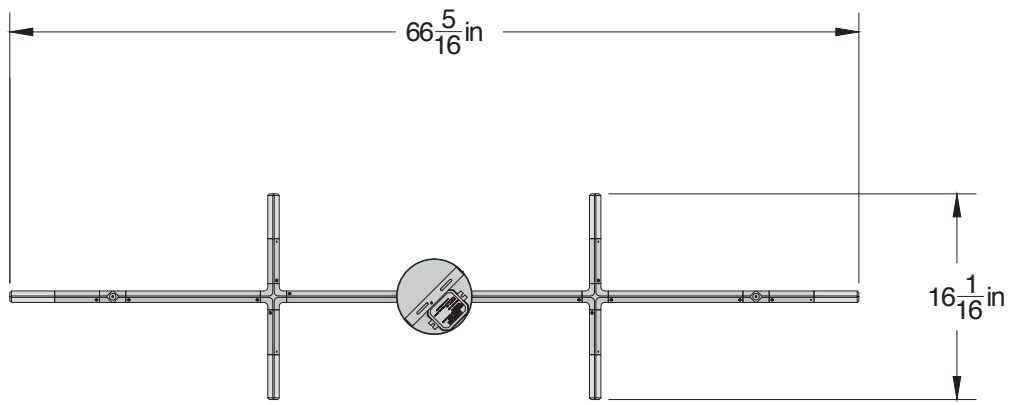
**CERTIFICATIONS**

ETL LISTED (120V)

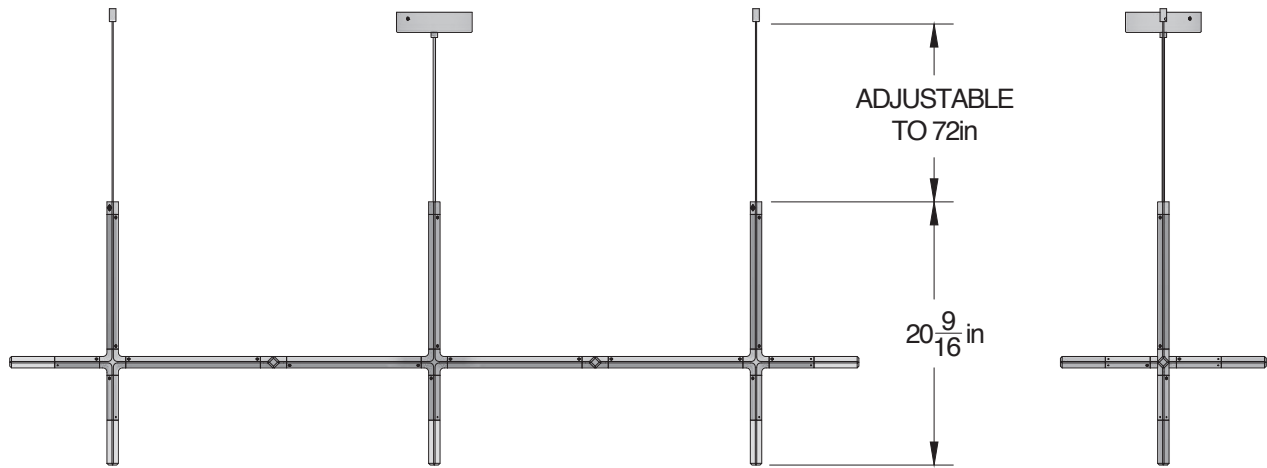
**NOTES**

JAX IS COMPRISED OF MODULAR  
COMPONENTS AND IS MEANT TO  
BE ASSEMBLED ON-SITE BY A  
QUALIFIED ELECTRICIAN AND  
INSTALLATION PROFESSIONAL.





TOP VIEW



FRONT VIEW

SIDE VIEW

© 2018, LAKE AND WELLS, LLC ALL RIGHTS RESERVED