

REVISED 9/12/18

PRODUCT

JOULLE CHANDELIER
 JOULLE 02-001

MATERIALS (FINISHES)

ANODIZED ALUMINUM (AGED
 BRONZE, GOLDEN BRONZE, BLACK,
 SILVER)

SOLID OPTIC CRYSTAL (CLEAR,
 FROSTED, SMOKE)

WEIGHT

2.4 LBS

LAMPING

INTEGRATED LED (QTY 2)
 13W, 3000K
 ELV AND PHASE DIMMABLE

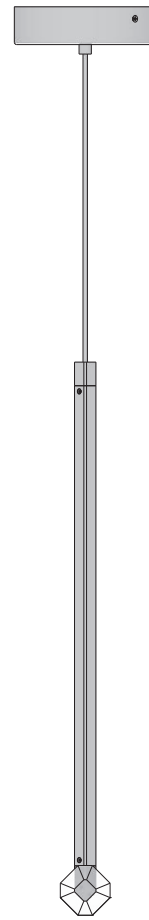
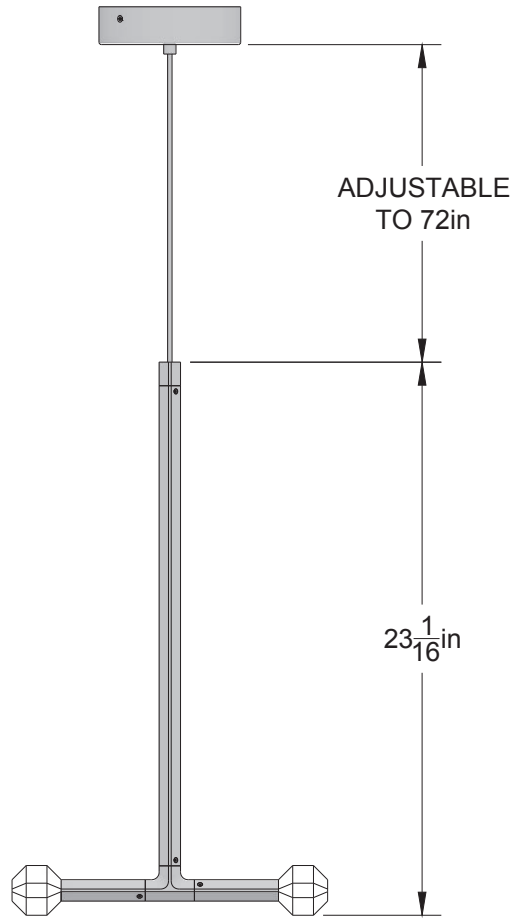
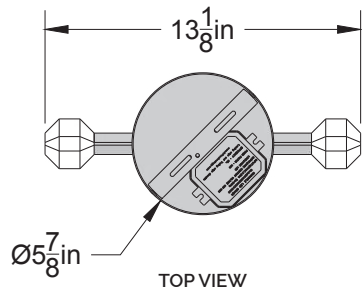
CERTIFICATIONS

ETL LISTED (120V) - PENDING

NOTES

JOULLE IS COMPRISED OF
 MODULAR COMPONENTS AND IS
 MEANT TO BE ASSEMBLED
 ON-SITE BY A QUALIFIED
 ELECTRICIAN AND INSTALLATION
 PROFESSIONAL.





© 2018, LAKE AND WELLS, LLC ALL RIGHTS RESERVED