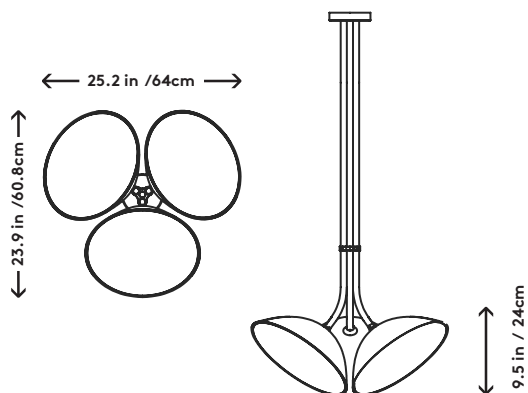


## Landscape Pendant 3

Matter Made, 2016



<b>Product Type</b>	Pendant
<b>Materials</b>	Aluminum, Brass, Acrylic, LEDs
<b>Dimensions</b>	L 23.9" x W 25.2" x H 9.5" L 60.8cm x W 64cm x H 24cm
<b>Finishes</b>	● Textured Black
<b>Weight</b>	24lbs 11kgs
<b>Packaging</b>	L 36" x W 36" x H 48" L 91cm x W 91cm x H 121.9cm
<b>Package Weight</b>	35lbs 15.9kgs
<b>Lead Time</b>	10-12 weeks
<b>Light Source</b>	AC LEDs / CRI 80 2700k 3195lm 30W 120V / 220V input
<b>Dimming</b>	Triac
<b>Canopy</b>	Dia 5" x H 1" / Dia 12.7cm x H 2.54cm Canopy (Provided)
<b>Drop Length</b>	36" / 91.4cm drop provided Custom drops are made per order and cannot be adjusted on site



**UPON ORDERING THIS FIXTURE**  
Specify the required drop length.