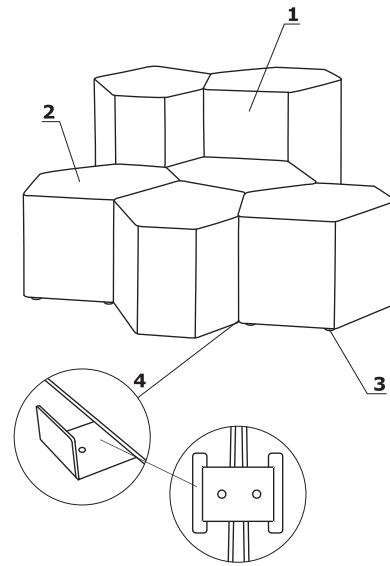




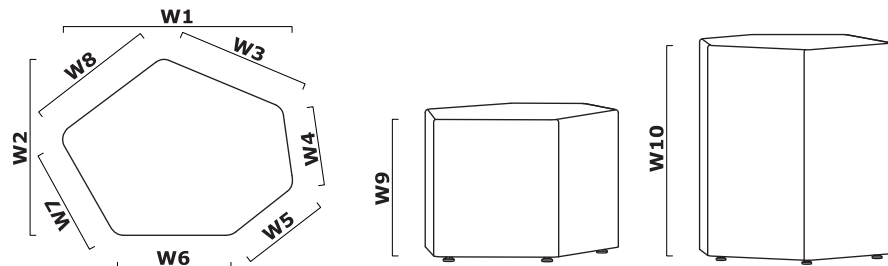
### Technical specification

- 1 **Body** - MFC 18 mm, 28 mm and HDF 3 mm, fixed with confirmat screws
- 2 **Seat** - thickness 50 mm, sides 10 mm, covered with upholstery foam
- 3 **Polypropylene feet** - Ø30 mm, 6 pcs, adjustment range 15 mm
- 4 **Metal connecting elements** - profile 2 mm, laser-cut, powder coated, colour: black



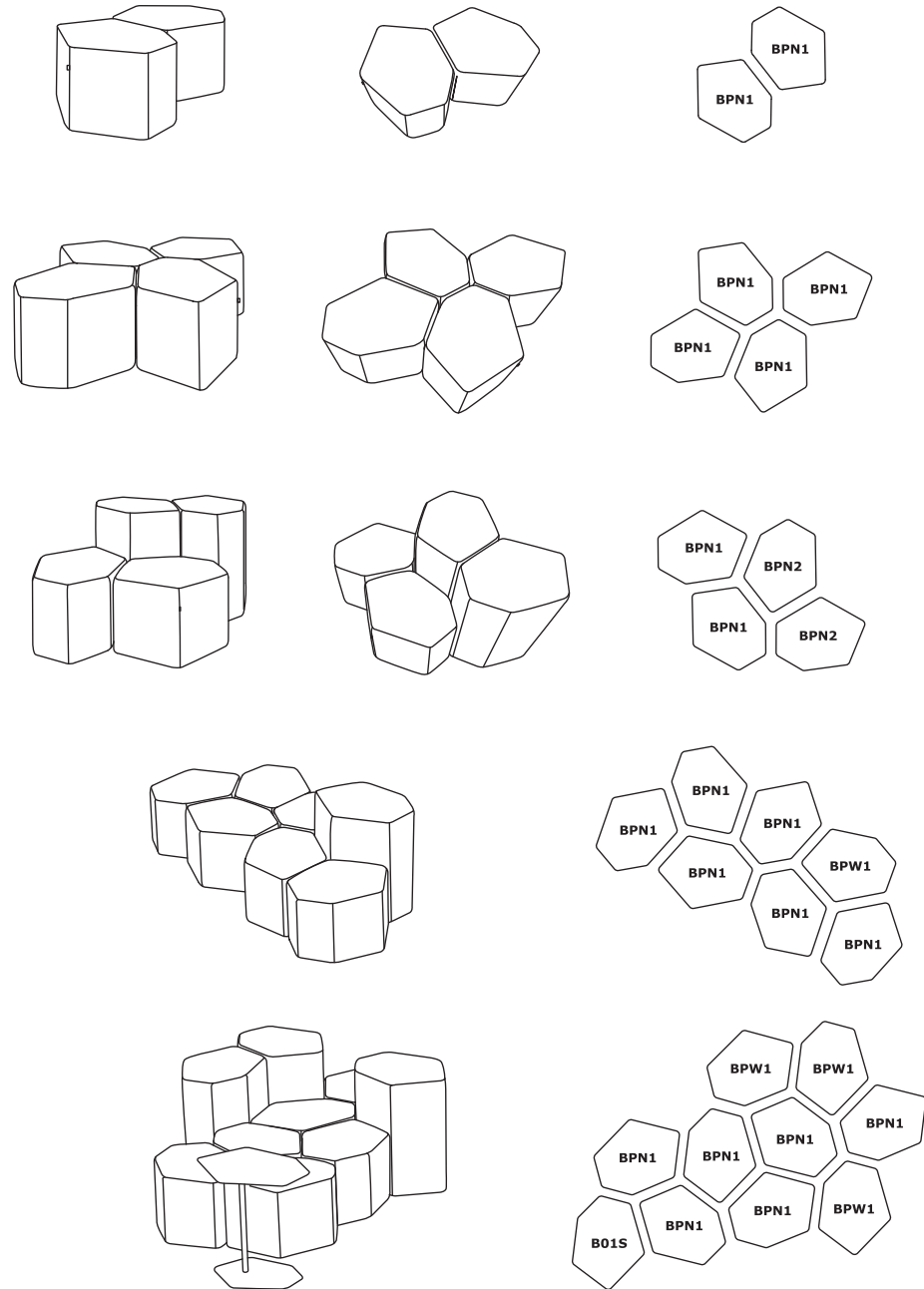
- max. load 120 kg


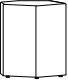
### Dimensions (mm)



W1 - 663 | W2 - 522 | W3 - 273 | W4 - 227 | W5 - 227 | W6 - 329 | W7 - 329 |  
W8 - 273 | W9 - 440 | W10 - 740 |

### Configuration examples



	Symbol	I	II	III	kg m3 pcs	Additional information
		Nemo	Medley, Atlantic, Vita, River	Xtreme, Synergy		
	<b>BPN1</b>				12 0,184 1	
	<b>BPW1</b>				17 0,300 1	