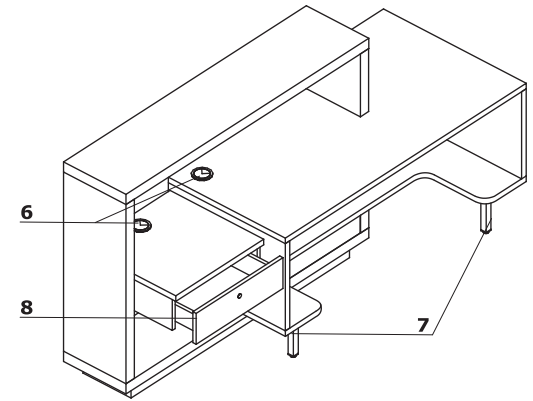
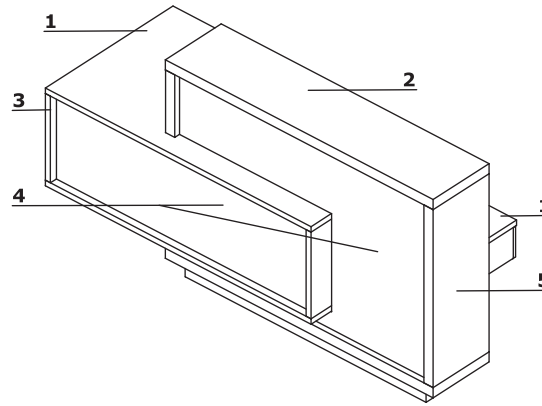


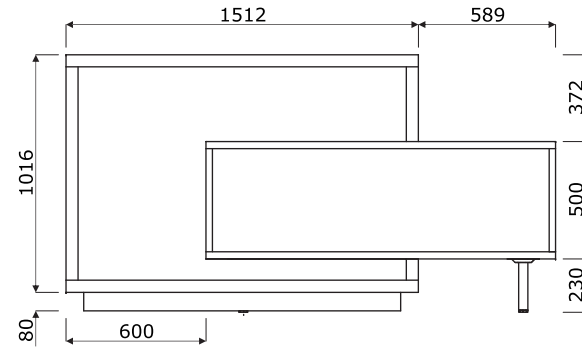
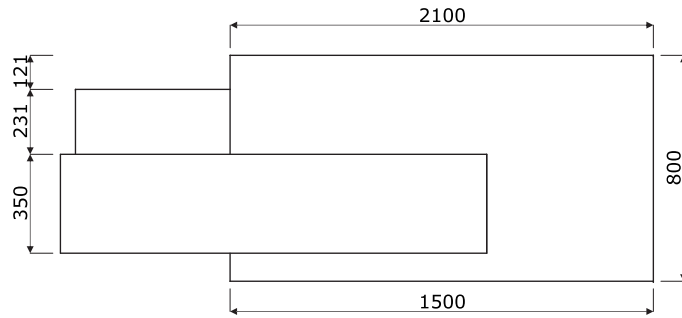
Technical specification

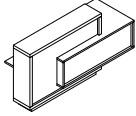
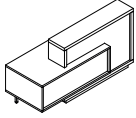
- 1 Worktop** - MFC 28 mm, ABS edge
- 2 Top** - MFC 52 mm (12+12+28 mm);, ABS edge
- 3 Body** - MFC 28 mm, ABS edge
- 4 Front** - MFC 18 mm, coated with HPL high gloss, ABS edge
- 5 Body** - MFC 52 mm, ABS edge
- 6 Cable grommets** - Ø80 mm
- 7 Supporting leg** - profile 30x30 mm, colour: M009 - aluminium semi-matt
- 8 MFC drawer** - ball runners, capacity 40 kg, 80 % pull-out, patent lock



ATTENTION - Interior of the front in white

Dimensions (mm)



Foro reception desk							
	Symbol		Dimensions			kg m3 pcs	Comments
			Width	Depth	Height		
	LF10		2100	800	1100	171.3 kg 0.447 m3 4 pcs	
	LF11		2100	800	1100	171.3 kg 0.454 m3 4 pcs	

Extra charge						