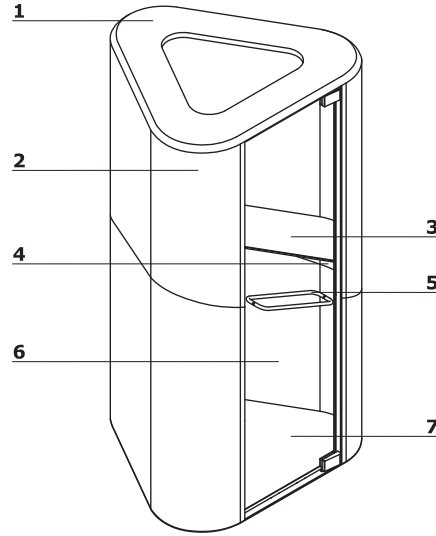


Technical specification**1 Top panel:**

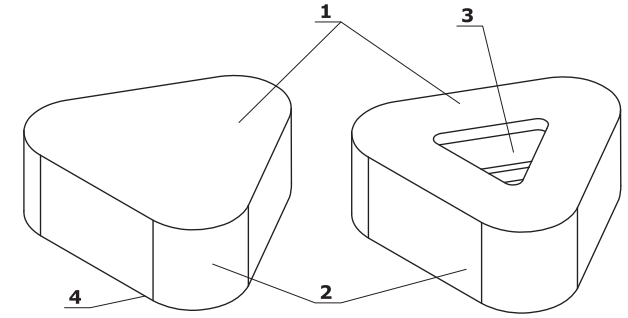
- outside - MDF 28 mm, varnished, colour: black
- inside - chipboard 18 mm upholstered (in the colour of the lower part of the pod wall), two-point lighting, two quiet fans

2 Body - chipboard frame, upholstered on both sides**3 Shelf** - MDF board 28 mm, lacquered, measurements: 1108x415x28 mm, colour: black**4 Power Cube** - 4x230V + 2xUSB**5 Handle** - powder coated, metal**6 Door** - toughened glass 8 mm, clear**7 Bottom rim:**

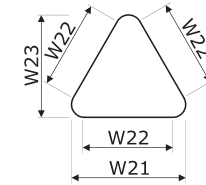
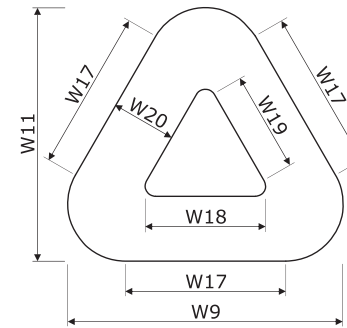
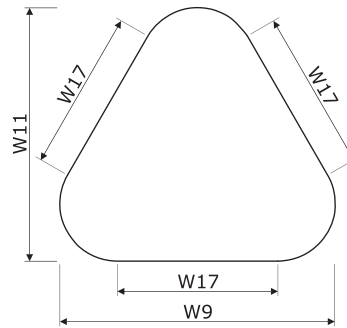
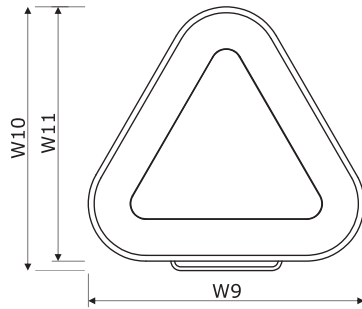
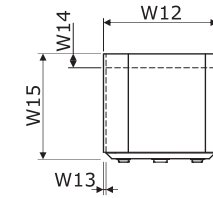
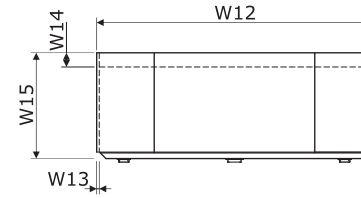
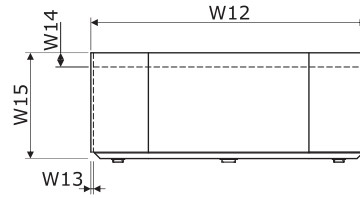
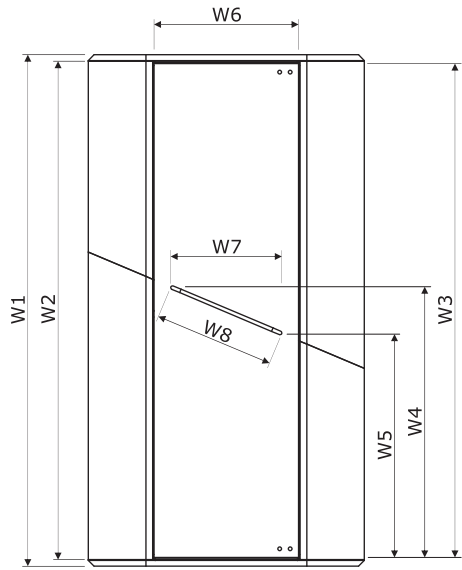
- outside - MDF 28 mm, varnished, colour: black
- inside - chipboard 18 mm, carpet, colour: dark grey

**Stool**

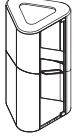



- 1 Seat** - upholstered, filled with 60 mm thick foam
- 2 Body** - chipboard frame
- 3 Plant pot** - plastic, depth 470 mm
- 4 Feet** - plastic, 3units



Dimensions



W1 - 2195 mm | W2 - 2139 mm | W3 - 2119 mm | W4 - 1157 mm | W5 - 963 mm | W6 - 619 mm | W7 - 460 mm | W8 - 500 mm | W9 - 1184 mm | W10 - 1132 mm | W11 - 1092 mm | W12 - 1184 mm | W13 - 15 mm | W14 - 60 mm | W15 - 470 mm | W16 - 472 mm | W17 - 690 mm | W18 - 518 mm | W19 - 428 mm | W20 - 266 mm | W21 - 482 mm | W22 - 388 mm | W23 - 430 mm |

| hana | | | | | | | |
|---|-------------|--|------------|----------------|--------|----------------------------|----------|
| | Symbol | | Dimensions | | | kg m3 pcs | Comments |
| | | | Width | Depth | Height | | |
|  | HN01 | | 1132 | 1184 | 2195 | 200 kg 2.08 m3 1 pcs | |
|  | HN02 | | 1184 | 1092 1091.6 | 470 | 50 kg 0.65 m3 1 pcs | |
|  | HN03 | | 1184 | 1092 1091.6 | 470 | 47 kg 0.65 m3 1 pcs | |
|  | HN04 | | 502 | 450 | 470 | 20 kg 0.118 m3 1 pcs | |

| Extra charge | | | | | | |
|-----------------|--|--|--|--|--|--|
| III Price group | | | | | | |
| X | | | | | | |
| X | | | | | | |
| X | | | | | | |
| X | | | | | | |