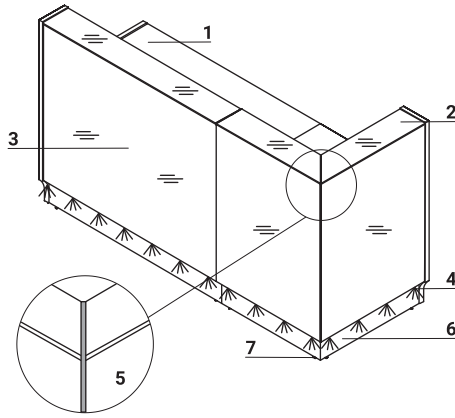
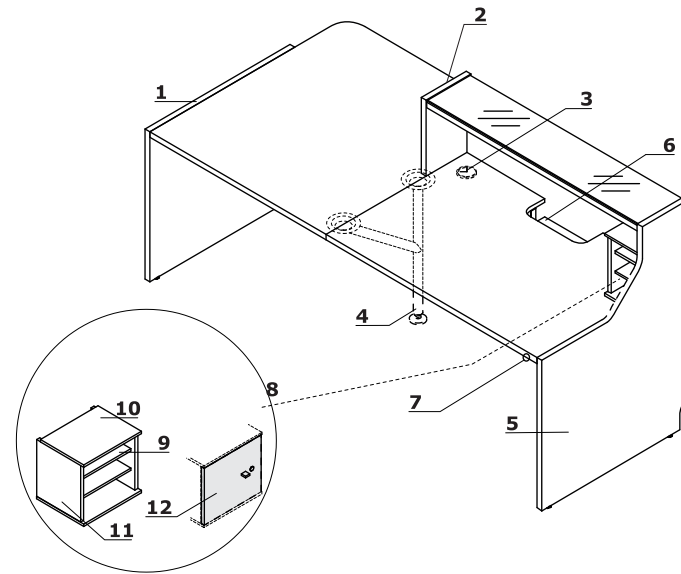


Technical specification

- 1 **Worktop** - MFC 28 mm, ABS edge
- 2 **Top** - tempered optiwhite glass, 8 mm - painted on bottom side
- 3 **Front** - glass LACOBEL 4 mm
- 4 **LED illumination** - at the full length of the reception desk, cold white color (verging on the blue shade);
- 5 **Corner slate** - stainless steel 4 mm
- 6 **Kick plate** - HPL - brushed aluminium
- 7 **Leveling** - 5 mm range

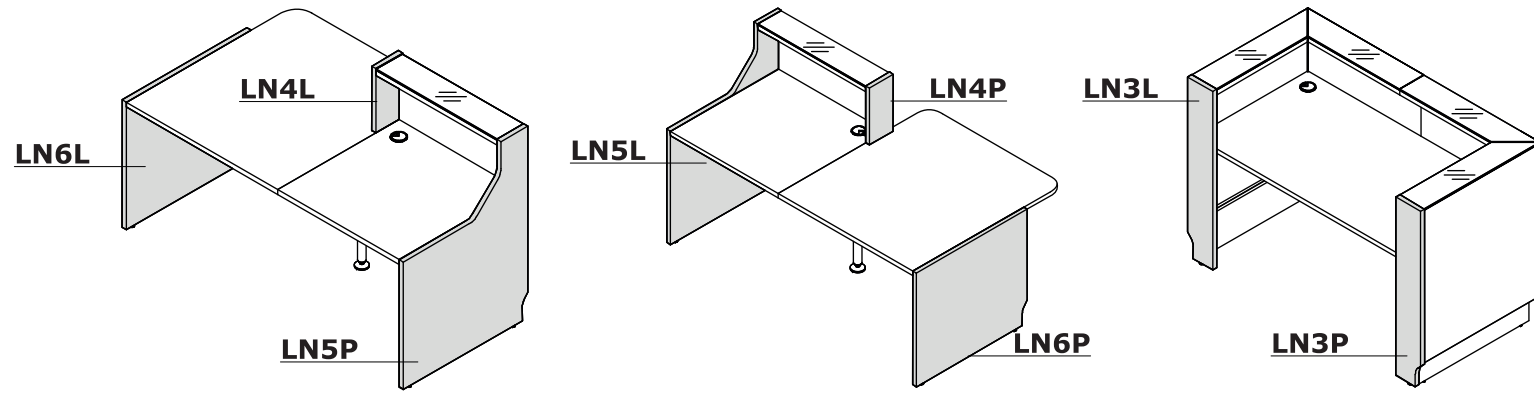


Technical specification

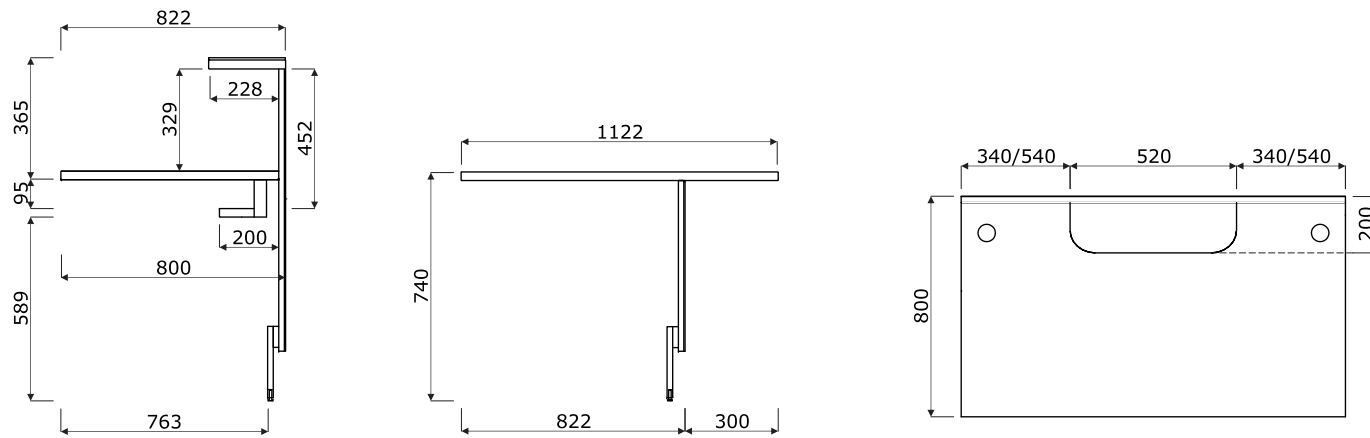


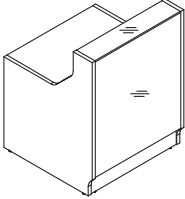
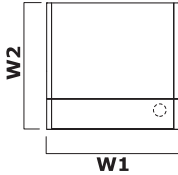
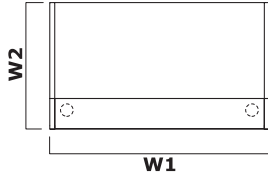
- 1 **Low side panel** - MFC 28 mm, ABS edge
- 2 **Side panel linking low and high fronts** - MFC 28 mm, ABS edge
- 3 **Cable grommets** - Ø80 mm
- 4 **Supporting leg NL41** - required for connecting the tops
- 5 **High side panel** - MFC 28 mm, ABS edge
- 6 **OPTION WITH EXTRA CHARGE** - working top with lowered monitor shelf - MFC 28 mm, ABS edge
- 7 **Light switch**
- 8 **LMS05** - reception desk storage; order separately
- 9 **Shelf** - MFC 12 mm, ABS edge
- 10 **Top** - MFC 12 mm, ABS edge
- 11 **Body** - MFC 18 mm, ABS edge
- 12 **Optional front with lock** - universal (left, right); - MFC 18 mm, ABS edge; - ordered as separate element

Ending elements application



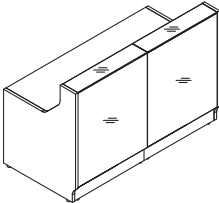
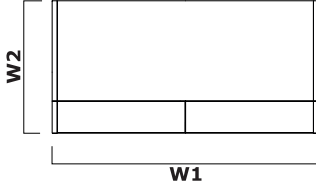
Dimensions (mm)



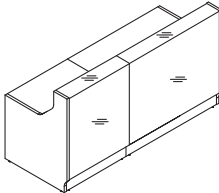
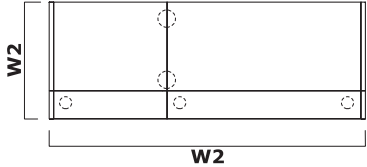
Symbol		Dimensions					kg m3 pcs	Composition elements
		W1	W2	D1	D2	H		
LIN08		856	824	2280	600	1105	69.5 kg 0.345 m3 5 pcs	LN5L+LNB08+LN08+LN5P
LIN13		1256	824	2280	600	1105	87.5 kg 0.479 m3 5 pcs	LN5L+LNB13+LN12+LN5P

Extra charge						

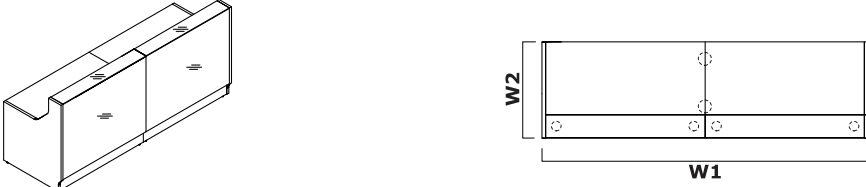
Symbol		Dimensions					kg m3 pcs	Composition elements
		W1	W2	D1	D2	H		
LIN15		1656	824	2280	600	1105	107 kg 0.623 m3 7 pcs	LN5L+LNB15+2xLN08+LN5P

Extra charge						
Monitor shelf x1						
X						

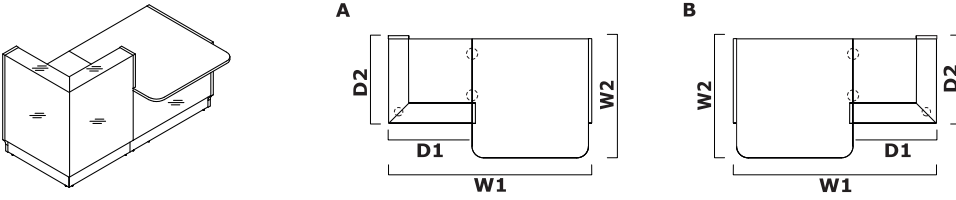
Symbol		Dimensions					kg m3 pcs	Composition elements
		W1	W2	D1	D2	H		
LIN20		2056	824	2280	600	1105	134 kg 0.826 m3 10 pcs	LN5L+LNB13+LN08+LN12+LNB08 +LN5P+NL41

Extra charge						
Monitor shelf x1						
X						



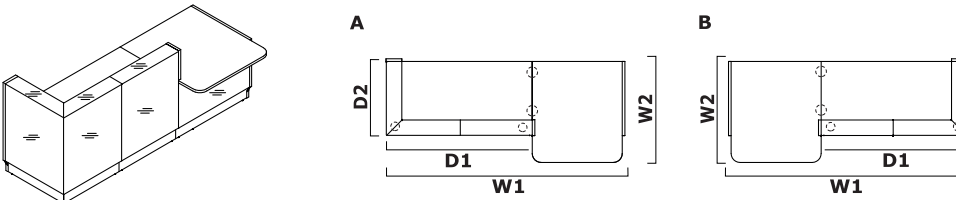
Symbol		Dimensions					kg m3 pcs	Composition elements
		W1	W2	D1	D2	H		
LIN25		2456	824	2280	600	1105	149 kg 0.955 m3 9 pcs	LN5L+2xLNB13+2xLN12+LN5P+NL41

Extra charge					
Monitor shelf x1	Monitor shelf x 2				
X	X				



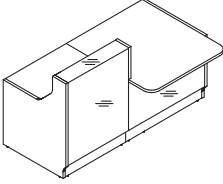
Symbol		Dimensions					kg m3 pcs	Composition elements
		W1	W2	D1	D2	H		
LIN29L	LIN29P	1850	1150	822	850	1105	147.5 kg 1.296 m3 9 pcs	A - LN6L+LNU11+LN4L+LNB08+LN91+LN3P+NL41 B - LN3L+LN91+LNB08+LN4P+LNU11+LN6P+NL41
LIN291L	LIN291P	1650	1150	822	850	1105	142.5 kg 1.269 m3 9 pcs	A - LN6L+LNU18+LN4L+LNB08+LN91+LN3P+NL41 B - LN3L+LN91+LNB08+LN4P+LNU18+LN6P+NL41

Extra charge					

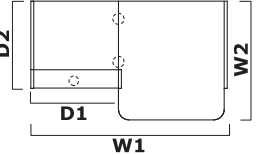


Symbol		Dimensions					kg m3 pcs	Composition elements
		W1	W2	D1	D2	H		
LIN35L	LIN35P	2650	1150	1622	850	1105	188 kg 1.58 m3 12 pcs	A - LN6L+LNU11+LN4L+LN08+LNB15+LN91+LN3P+NL41 B - LN3L+LN91+LNB15+LN08+LN4P +LNU11+LN6P+NL41
LIN351L	LIN351P	2450	1150	1622	850	1105	183 kg 1.553 m3 12 pcs	A - LN6L+LNU18+LN4L+LN08+LNB15+LN91+LN3P+NL41 B - LN3L+LN91+LNB15+LN08+LN4P +LNU18+LN6P+NL41

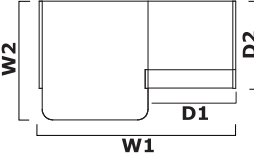
Extra charge					
Monitor shelf x1					
X					
X					



A

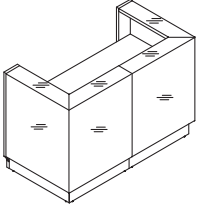


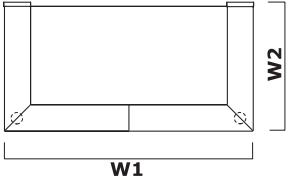
B



Symbol		Dimensions					kg m3 pcs	Composition elements
A	B	W1	W2	D1	D2	H		
LIN33L	LIN33P	1856	1122	828	824	1105	103.5 kg 0.562 m3 9 pcs	A - LN6L+LNU11+LN4L+LN08+LNB08+LN5P+NL41 B - LN5L+LNB08+LN08+LN4P+LNU11+LN6P+NL41
LIN331L	LIN331P	1656	1122	828	824	1105	98.5 kg 0.536 m3 9 pcs	A - LN6L+LNU18+LN4L+LN08+LNB08+LN5P+NL41 B - LN5L+LNB08+LN08+LN4P+LNU18+LN6P+NL41

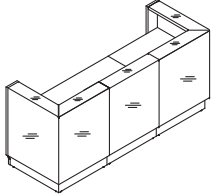
Extra charge					

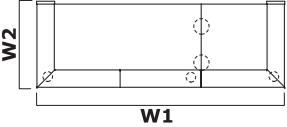




Symbol		Dimensions					kg m3 pcs	Composition elements
		W1	W2	D1	D2	H		
LIN36		1644	850	828	824	1105	198 kg 2.096 m3 8 pcs	LN3L+LNB15+2xLN91+LN3P

Extra charge					





Symbol		Dimensions					kg m3 pcs	Composition elements
		W1	W2	D1	D2	H		
LIN42		2444	850	828	824	1105	241.5 kg 2.439 m3 12 pcs	LN3L+LNB08+2xLN91+LN08+LNB15+LN3P+NL41

Extra charge					

Symbol		Dimensions					kg m3 pcs	Composition elements
		W1	W2	D1	D2	H		
LIN43		2844	850	828	824	1105	265.5 kg 2.637 m3 14 pcs	LN3L+LNB08+2xLN91+LNB13 +LN12+LNB08+LN3P+2xNL41

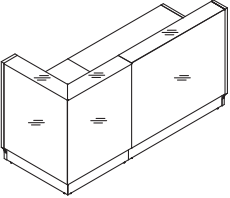
Extra charge					

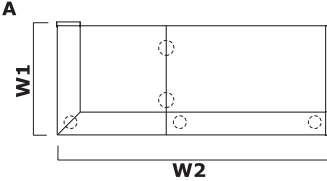
Symbol		Dimensions					kg m3 pcs	Composition elements
		W1	W2	D1	D2	H		
LIN37L	LIN37P	1650	850	828	824	1105	154 kg 1.362 m3 8 pcs	A - LN5L+LN08+LNB15+LN91+LN3P B - LN3L+LN91+LNB15+LN08+LN5P

Extra charge					

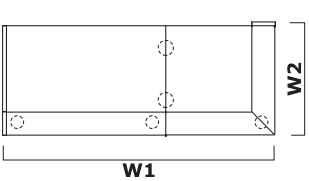
Symbol		Dimensions					kg m3 pcs	Composition elements
		W1	W2	D1	D2	H		
LIN34L	LIN34P	2256	1122	1228	824	1105	124.5 kg 0.701 m3 10 pcs	A - LN6L+LNU11+LN4L+LN12+LNB13+LN5P+NL41 B - LN5L+LNB13+LN12+LN4P+LNU11+LN6P+NL41
LIN341L	LIN341P	2056	1122	1228	824	1105	119.5 kg 0.674 m3 10 pcs	A - LN6L+LNU18+LN4L+LN12+LNB13+LN5P+NL41 B - LN5L+LNB13+LN12+LN4P+LNU18+LN6P+NL41

Extra charge					





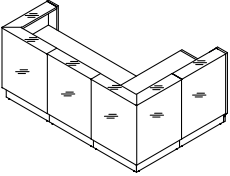
A

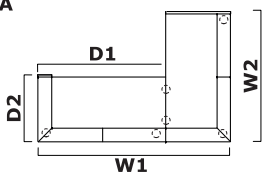


B

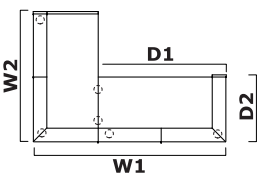
Symbol		Dimensions					kg m3 pcs	Composition elements
A	B	W1	W2	D1	D2	H		
LIN38L	LIN38P	2050	850	1228	824	1105	178 kg 1.56 m3 10 pcs	A - LN5L+LNB13+LN12+LNB08+LN91+LN3P+NL41 B - LN3L+LNB08+LN91+LNB13+LN12+LN5P+NL41

Extra charge						





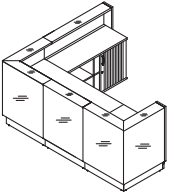
A

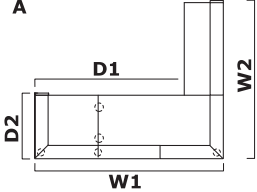


B

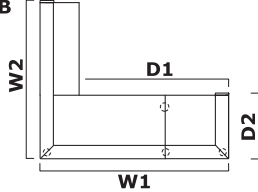
Symbol		Dimensions					kg m3 pcs	Composition elements
A	B	W1	W2	D1	D2	H		
LIN39L	LIN39P	2444	1650	1622	850	1105	286 kg 2.735 m3 14 pcs	A - LN5L+2xLN08+2xLNB15+2xLN91+LN3P+NL41 B - LN3L+2xLN91+2xLNB15+2xLN08+LN5P+NL41

Extra charge						





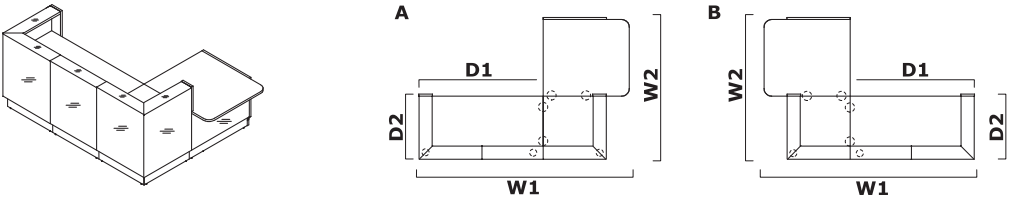
A



B

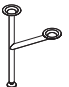

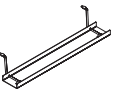
Symbol		Dimensions					kg m3 pcs	Composition elements
A	B	W1	W2	D1	D2	H		
LIN40L	LIN40P	2444	2050	1950	850	1105	332.5 kg 3.283 m3 16 pcs	A - LN3L+LN12+L2Z06+2xLN91+LNB15+LN08+LNB08+LN3P+NL41 B - LN3L+LNB08+2xLN91+LN08+LNB15+L2Z06+LN12+LN3P+NL41

Extra charge						



Symbol			Dimensions					kg m3 pcs	Composition elements
A	B		W1	W2	D1	D2	H		
LIN41L	LIN41P		2744	1850	1622	850	1105	282.5 kg 2.674 m3 16 pcs	A - LN6L+LNU11+LN4L+2xLN91+LNB08+LN08+LNB15+LN3P+2xNL41 B - LN3L+2xLN91+LNB15+LN08+LNB08+LN4P+LNU11+LN6P+2xNL41
LIN411L	LIN411P		2744	1650	1622	850	1105	277.5 kg 2.648 m3 16 pcs	A - LN6L+LNU18+LN4L+2xLN91 +LNB08+LN08+LNB15+LN3P+2xNL41 B - LN3L+2xLN91+LNB15+LN08+LNB08+LN4P+LNU18+LN6P+2xNL41

Extra charge						

Composition elements							
	Symbol		Dimensions			kg m3 pcs	Comments
			Width	Depth	Height		
	NL41		585	142	712	2 kg 0.063 m3 1 pcs	round profile leg
	S69L		580	162	123	1 kg 0.015 m3 1 pcs	09 - aluminium
	E64L		460	89	120	0.5 kg 0.001 m3 1 pcs	horizontal cable tray, M009 - aluminium semi-matt

Extra charge						