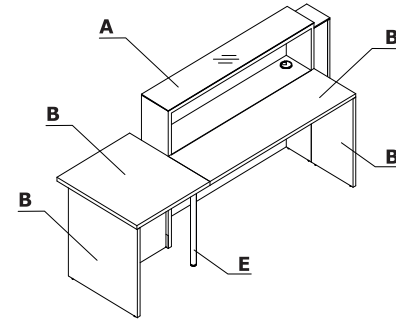
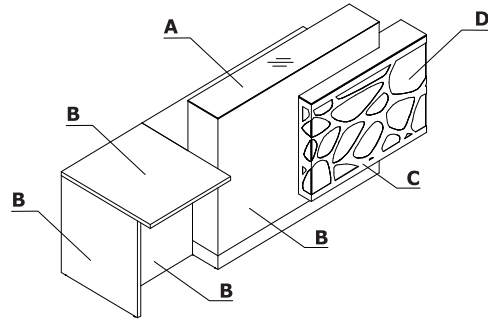


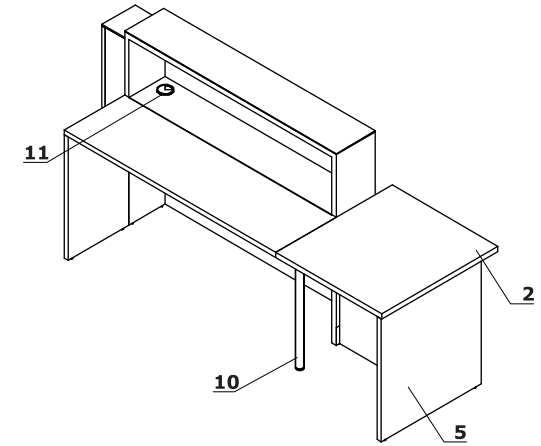
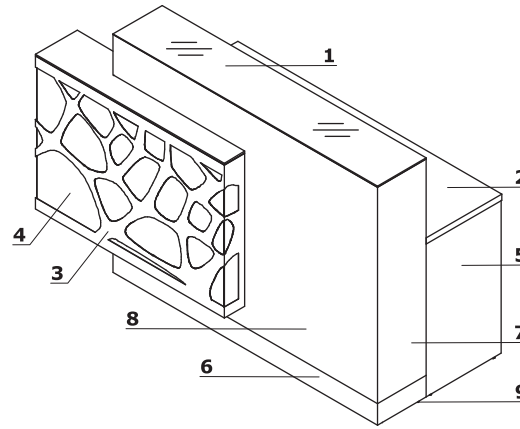
Colour combination - Organic



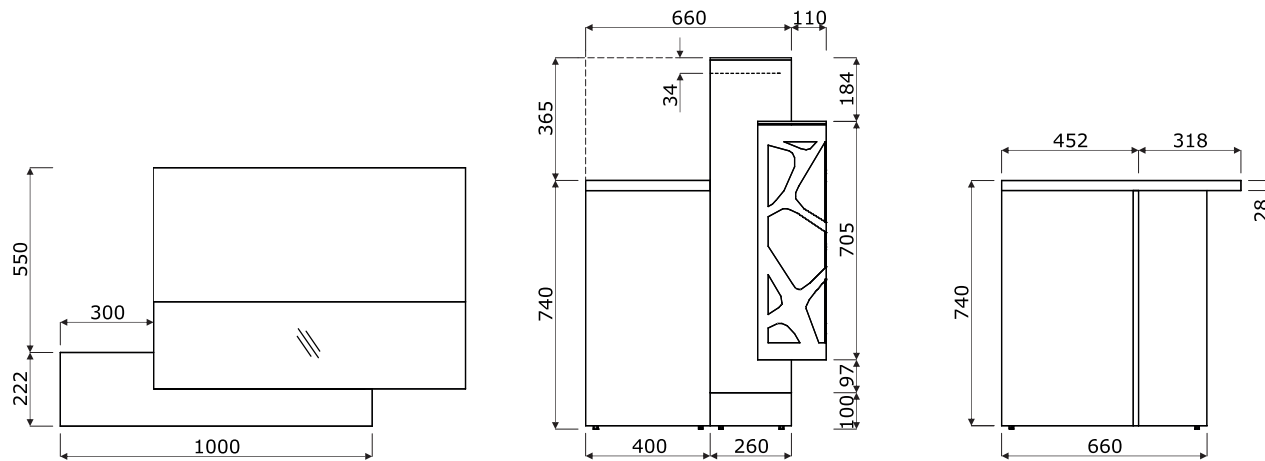
| Material | Colour | All elements | | | | | | | | | | | | | | | | |
|----------|-------------------------------|---------------|----------|-------------------|------------------------|--------------------|--|--|--|--|--|--|--|--|--|--|--|--|
| | | A - Upper top | B - Body | C - Front - metal | D - Front - plexiglass | E - Supporting leg | | | | | | | | | | | | |
| | 117 - glass white - RAL 9003 | ✓ | | | | | | | | | | | | | | | | |
| | MFC - 67 - white pastel | | ✓ | | | | | | | | | | | | | | | |
| | Metal - M015 - white semi-mat | | | ✓ | | ✓ | | | | | | | | | | | | |
| | Plexiglas - white | | | | ✓ | | | | | | | | | | | | | |

Technical specification

- 1 Glass top** - glass LACOBEL 4 mm
- 2 Worktop** - MFC 28 mm, ABS edge
- 3 Front** - powder coated steel and plexiglas
- 4 Light source** - RGBW LED, remote control
- 5 Low side panel** - MFC 28 mm, ABS edge
- 6 Kick plate** - HPL - brushed aluminium
- 7 Body** - MFC 18 mm, coated with HPL mat
- 8 Front** - MFC 28 mm + HPL - mat 0,8 mm, ABS edge
- 9 Leveling** - 5 mm range
- 10 Supporting leg NE41** - required for connecting the tops
- 11 Cable grommets** - Ø80 mm



Dimensions (mm)



| | | | | | | | | |
|---------------|--|------------|-----|----|----|------|----------------------------|----------------------|
| Symbol | | Dimensions | | | | | kg m3 pcs | Composition elements |
| | | W1 | W2 | D1 | D2 | H | | |
| LOG10G | | 1000 | 660 | | | 1105 | 50 kg 0.582 m3 2 pcs | LOG10B+LOG10K |
| LOG14G | | 1400 | 660 | | | 1105 | 67 kg 0.815 m3 2 pcs | LOG14B+LOG14K |

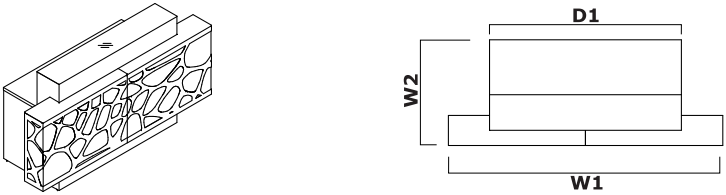
| Extra charge | | | | | | |
|--------------|--|--|--|--|--|--|
| | | | | | | |
| | | | | | | |
| | | | | | | |

| | | | | | | | | |
|----------|----------|------------|-----|------|-----|------|-----------------------------|--|
| Symbol | | Dimensions | | | | | kg m3 pcs | Composition elements |
| | | W1 | W2 | D1 | D2 | H | | |
| A | B | 1300 | 770 | 1000 | 660 | 1105 | 75.5 kg 0.74 m3 4 pcs | A - LOG10B+LOG10K+LOG01L B - LOG10B+LOG10K+LOG01P |

| Extra charge | | | | | | |
|--------------|--|--|--|--|--|--|
| | | | | | | |
| | | | | | | |
| | | | | | | |

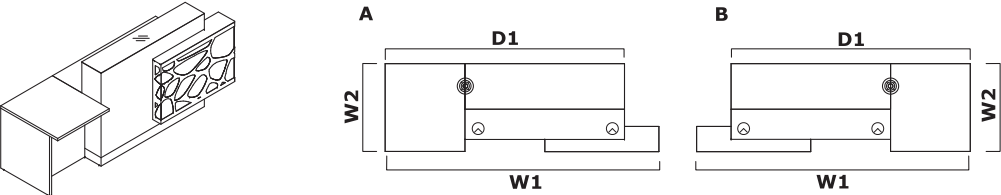
| | | | | | | | | |
|----------|----------|------------|-----|------|-----|------|------------------------------|--|
| Symbol | | Dimensions | | | | | kg m3 pcs | Composition elements |
| | | W1 | W2 | D1 | D2 | H | | |
| A | B | 1700 | 770 | 1400 | 660 | 1105 | 92.5 kg 0.973 m3 4 pcs | A - LOG14B+LOG14K+LOG01L B - LOG14B+LOG14K+LOG01P |

| Extra charge | | | | | | |
|--------------|--|--|--|--|--|--|
| | | | | | | |
| | | | | | | |
| | | | | | | |



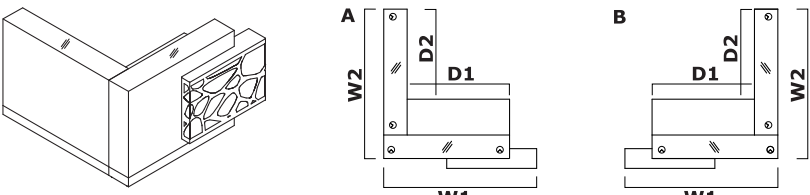
| Symbol | | Dimensions | | | | | kg m3 pcs | Composition elements |
|---------------|--|------------|-----|------|----|------|-----------------------------|-----------------------------|
| | | W1 | W2 | D1 | D2 | H | | |
| LOG13G | | 2000 | 770 | 1400 | 0 | 1105 | 118 kg 1.132 m3 6 pcs | LOG14B+LOG14K+LOG01L+LOG01P |

| Extra charge | | | | | |
|--------------|--|--|--|--|--|
| | | | | | |
| | | | | | |



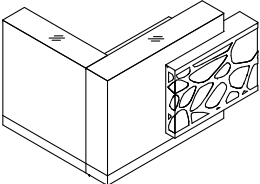
| Symbol | | Dimensions | | | | | kg m3 pcs | Composition elements |
|-----------------|-----------------|------------|-----|------|----|------|-----------------------------|--|
| A | B | W1 | W2 | D1 | D2 | H | | |
| LOG14PLG | LOG14PPG | 2400 | 770 | 2100 | 0 | 1105 | 106 kg 1.007 m3 6 pcs | A - LOG01L+LOG14K+LOG14B+LOG07+NE41L B - LOG07+LOG14B+LOG14K+LOG01P+NE41L |

| Extra charge | | | | | |
|--------------|--|--|--|--|--|
| | | | | | |
| | | | | | |

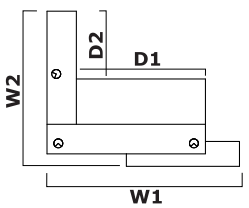


| Symbol | | Dimensions | | | | | kg m3 pcs | Composition elements |
|----------------|-----------------|------------|------|------|------|------|-------------------------------|--|
| A | B | W1 | W2 | D1 | D2 | H | | |
| LOG16LG | LOG14PPG | 1700 | 1770 | 1140 | 1000 | 1105 | 134.5 kg 1.297 m3 5 pcs | A - LOG01L+2xLOG14K+LOG11B B - LOG07+LOG14B+LOG14K+LOG01P+NE41L |

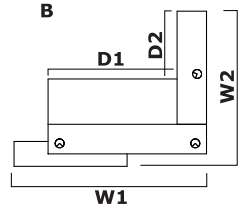
| Extra charge | | | | | |
|--------------|--|--|--|--|--|
| | | | | | |
| | | | | | |



A

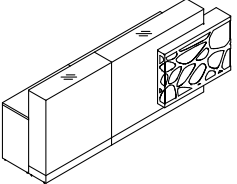


B

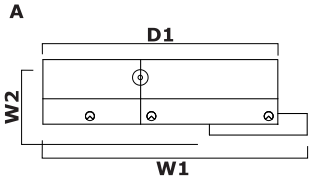


| Symbol | | | Dimensions | | | | | kg m3 pcs | Composition elements |
|----------------|----------------|--|------------|------|------|-----|------|-------------------------------|--|
| A | B | | W1 | W2 | D1 | D2 | H | | |
| LOG18LG | LOG18PG | | 1700 | 1370 | 1140 | 600 | 1105 | 122.5 kg 1.182 m3 5 pcs | A - LOG01L+LOG14K+LOG11B+LOG10K B - LOG10K+LOG11B+LOG14K+LOG01P |

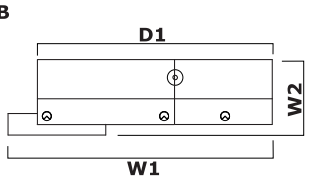
| Extra charge | | | | | |
|--------------|--|--|--|--|--|
| | | | | | |
| | | | | | |



A

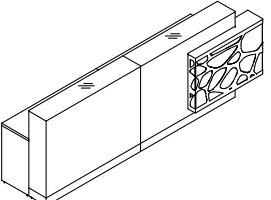


B

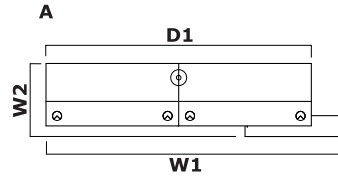


| Symbol | | | Dimensions | | | | | kg m3 pcs | Composition elements |
|----------------|----------------|--|------------|-----|------|----|------|-----------------------------|--|
| A | B | | W1 | W2 | D1 | D2 | H | | |
| LOG19LG | LOG19PG | | 2700 | 770 | 2400 | 0 | 1105 | 144 kg 1.557 m3 7 pcs | A - LOG01L+LOG14K+LOG10K+LOG14B+LOG10B+NE41L B - LOG10B+LOG14B+LOG10K+LOG14K+LOG01P+NE41L |

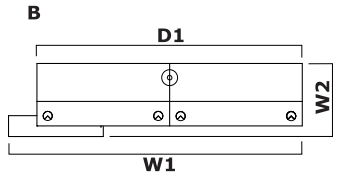
| Extra charge | | | | | |
|--------------|--|--|--|--|--|
| | | | | | |
| | | | | | |



A

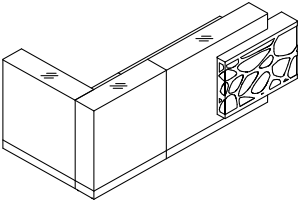


B

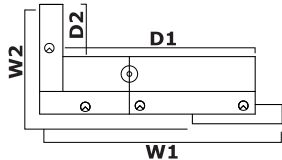


| Symbol | | | Dimensions | | | | | kg m3 pcs | Composition elements |
|----------------|----------------|--|------------|-----|------|----|------|----------------------------|--|
| A | B | | W1 | W2 | D1 | D2 | H | | |
| LOG20LG | LOG20PG | | 3100 | 770 | 2800 | 0 | 1105 | 161 kg 1.79 m3 7 pcs | A - LOG01L+2xLOG14K+2xLOG14B +NE41L B - 2xLOG14B+2xLOG14K+LOG01P +NE41L |

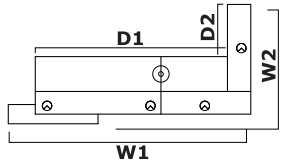
| Extra charge | | | | | |
|--------------|--|--|--|--|--|
| | | | | | |
| | | | | | |



A

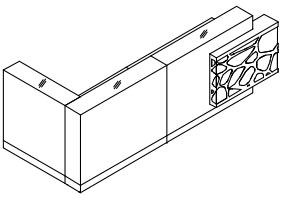


B

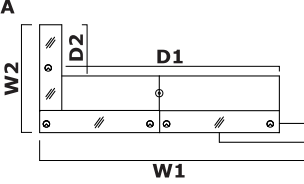


| Symbol | | Dimensions | kg m3 pcs | Composition elements |
|----------------|----------------|--|-----------------------------|--|
| A | B | | | |
| LOG21LG | LOG21PG | W1: 2700, W2: 1370, D1: 2140, D2: 600, H: 1105 | 175 kg 1.555 m3 8 pcs | A - LOG01L+LOG14K+2xLOG10K +LOG14B+LOG08B+NE41L B - 2xLOG10K+LOG08B+LOG14B +LOG14K+LOG01P+NE41L |

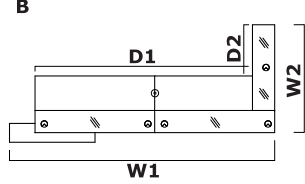
| Extra charge | | | | | |
|--------------|--|--|--|--|--|
| | | | | | |



A

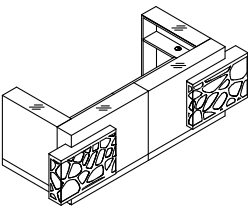


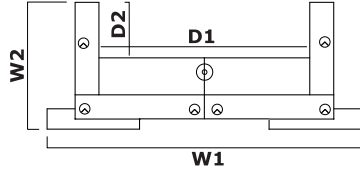
B



| Symbol | | Dimensions | kg m3 pcs | Composition elements |
|----------------|----------------|--|-----------------------------|--|
| A | B | | | |
| LOG22LG | LOG22PG | W1: 3100, W2: 1370, D1: 2540, D2: 600, H: 1105 | 191 kg 1.999 m3 8 pcs | A - LOG01L+2xLOG14K+LOG14B +LOG11B+LOG10K+NE41L B - LOG10K+LOG11B+LOG14B +2xLOG14K+LOG01P+NE41L |

| Extra charge | | | | | |
|--------------|--|--|--|--|--|
| | | | | | |





| Symbol | | Dimensions | kg m3 pcs | Composition elements |
|---------------|--|--|--------------------------------|--|
| | | | | |
| LOG23G | | W1: 3400, W2: 1370, D1: 2280, D2: 600, H: 1105 | 246.5 kg 2.366 m3 11 pcs | 2xLOG10K+2xLOG11B+2xLOG14K+LOG01L+LOG01P+NE41L |

| Extra charge | | | | | |
|--------------|--|--|--|--|--|
| | | | | | |

| Symbol | | Dimensions | | | | | kg m3 pcs | Composition elements |
|---------------|--|------------|------|------|-----|------|------------------------------|--|
| | | W1 | W2 | D1 | D2 | H | | |
| LOG24G | | 4100 | 1370 | 2280 | 600 | 1105 | 260 kg 2.401 m3 13 pcs | 2xLOG10K+2xLOG14K+2xLOG11B+LOG07+LOG01L+LOG01P+2xNE41L |

| Extra charge | | | | | | |
|--------------|--|--|--|--|--|--|
| | | | | | | |

| Symbol | | Dimensions | | | | | kg m3 pcs | Composition elements |
|--------------|--|------------|------|------|-----|------|-----------------------------|----------------------|
| | | W1 | W2 | D1 | D2 | H | | |
| LOG15 | | 1400 | 1660 | 2280 | 600 | 1105 | 109 kg 1.138 m3 3 pcs | 2xLOG14K+LOG11B |

| Extra charge | | | | | | |
|--------------|--|--|--|--|--|--|
| | | | | | | |

| Symbol | | Dimensions | | | | | kg m3 pcs | Composition elements |
|--------------|--|------------|------|------|-----|------|----------------------------|----------------------|
| | | W1 | W2 | D1 | D2 | H | | |
| LOG17 | | 1400 | 1260 | 2280 | 600 | 1105 | 97 kg 1.024 m3 3 pcs | LOG11B+LOG14K+LOG10K |

| Extra charge | | | | | | |
|--------------|--|--|--|--|--|--|
| | | | | | | |

| | | | | | | | | |
|--------------|--|------------|-----|------|-----|------|------------------------------|--|
| | | Dimensions | | | | | kg m3 pcs | Composition elements |
| | | W1 | W2 | D1 | D2 | H | | |
| LOG25 | | 4556 | 770 | 2280 | 600 | 1105 | 159 kg 1.501 m3 11 pcs | 3xLOG07+LOG14B+LOG14K +LOG10B+LOG10K+4xNE41L |

| Extra charge | | | | | | |
|--------------|--|--|--|--|--|--|
| | | | | | | |
| | | | | | | |

