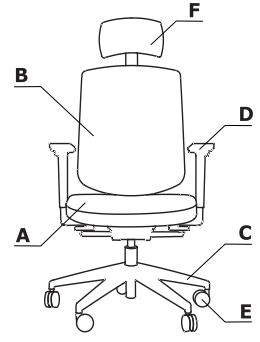


Colour combination - Sava

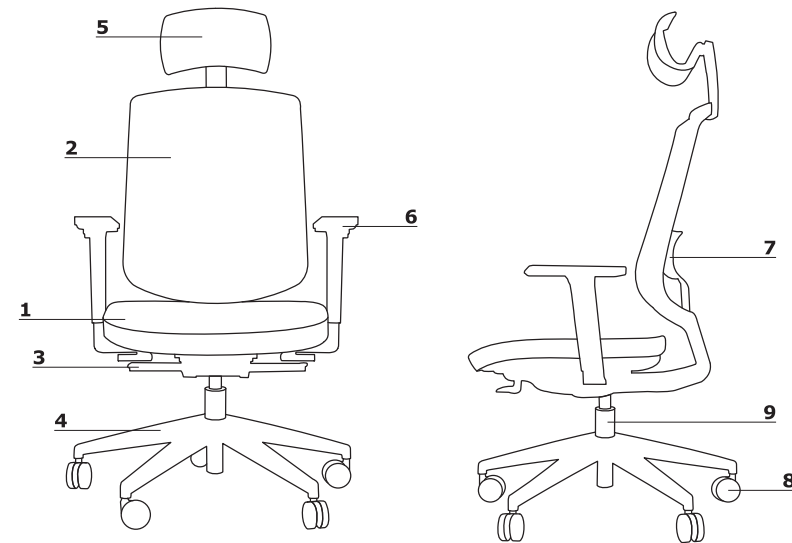


Material	Colour	Chairs													
		A - Seat	B - Back	C - Base	D - Armrest	E - Castors	F - Headrest								
Fabric	Nemo	✓													
	Runner	II group ✓	✓				Black								
	Medley	II group ✓													
	Atlantic	II group ✓													
	Vita	II group ✓													
	River	II group ✓													
	Xtreme	III group ✓													
	Synergy	III group ✓													
	Black			✓	✓	✓									
	Polished aluminum			✓*											

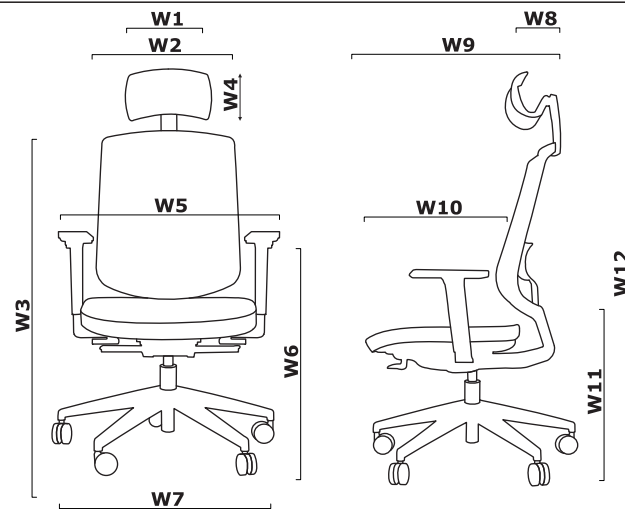
* option with extra charge

Technical specification

- 1 **Seat** - upholstered, sliding
- 2 **Backrest** - mesh in Runner colours
- 3 **Mechanism** - Auto Synchro; OPTION WITH EXTRA CHARGE - Synchro Pro
- 4 **Base** - 5-star, polypropylene, $\varnothing=680$ mm, h=124 mm; OPTION WITH EXTRA CHARGE - 5-star, polished aluminium, $\varnothing=680$ mm, h=124 mm
- 5 **OPTION WITH EXTRA CHARGE** - headrest - black mesh
- 6 **OPTIONS WITH EXTRA CHARGE:**
 - armrest 2D - V3 - polyurethane, colour: black
 - armrest 3D - V3 - polyurethane, colour: black
- 7 **OPTION WITH EXTRA CHARGE** - manual height adjustable (60 mm) lumbar support
- 8 **Castors** - $\varnothing 65$ mm, for soft floors PP+PA, colour: black; OPTION WITH EXTRA CHARGE - for hard floors PP+PA, colour: black
- 9 **Actuator** - steal gas spring; adjustment range 100 mm; colour: chrome or black



Dimensions (mm)

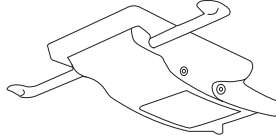


W1 - 300 | W2 - 455 | W3 - 980-1080, 1050-1150 (Auto Synchro) | W4 - 150 | W5 - 640-750 | W6 - 620-720, 615-715 (Auto Synchro) | W7 - 660 | W8 - 150 | W9 - 610 | W10 - 440-500, 410-470 (Auto Synchro) | W11 - 460-560, 445-545 (Auto Synchro) | W12 - 1160-1350, 1145-1335 (Auto Synchro)

Mechanism

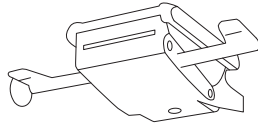
AUTO SYNCHRO

- synchronized automated regulation chair back press mechanism
- designed for usage 45 and 120kg
- allows the backrest to tilt from 0° to 18° and the seat to tilt from 0° to 4,5° at the same time
- it is possible to lock the backrest only in the 0° position
- seat depth adjustment range 100 mm, possibility to lock in 11 different positions



SYNCHRO PRO

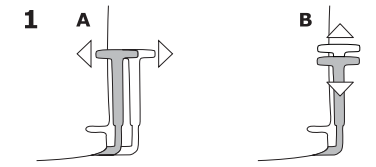
- tilt angle of the backrest 25° and the seat 10°
- designed for usage 45 and 120kg
- additional seat and backrest tilt of 3°
- 3 blocking positions of the backrest
- Anti - shock system
- adjustment of lateral tension
- seat depth adjustment range 100 mm, possibility to lock in 11 different positions



Armrests

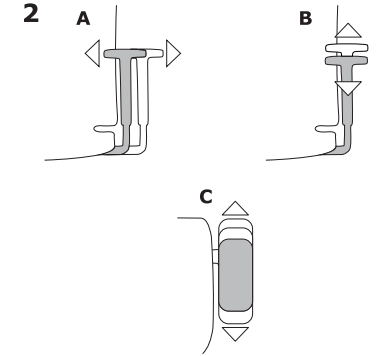
1 Adjustable armrest - 2D-V3


- width adjustment (A)
- height adjustment (B)



2 Adjustable armrest - 3D-V3

- width adjustment (A)
- height adjustment (B)
- depth adjustment (width adjustment inwards) (C)



Symbol: SAVA												
Upholstered seat			Synchro Pro Mechanism	Base - polished aluminium	Headrest	Armrests		Lumbar support	Castors for hard floors	kg m3 pcs	Additional information	
I	II	III				2D - V3	3D - V3					
Nemo	Runner, Vita, Medley, River, Atlantic	Xtreme, Synergy										
										20 0,283 1		