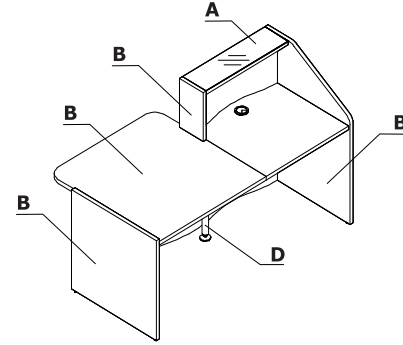
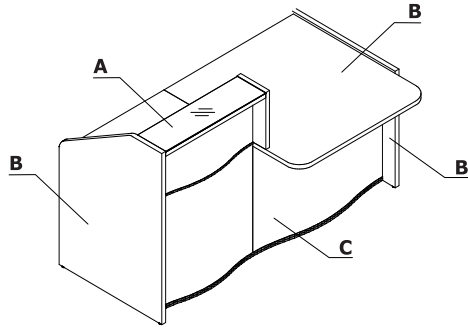


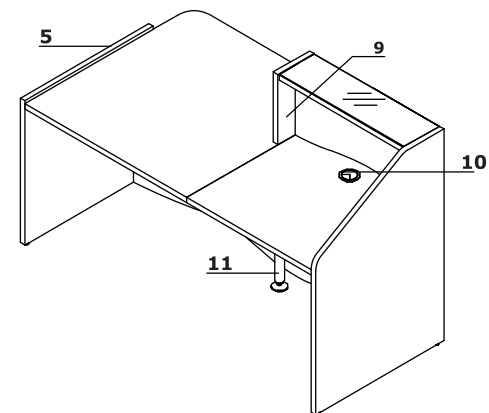
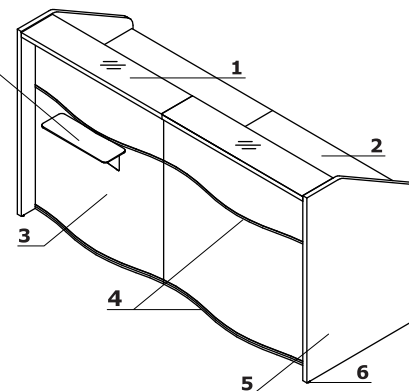
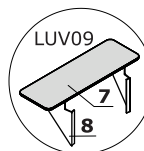
Colour combination - Wave



Material	Colour	All elements															
		A - Upper top	B - Body	C - Front	D - Supporting leg												
	117 - glass white - RAL 9003	✓															
HPL	73 - white high gloss			✓													
	74 - orange high gloss			✓													
	80 - green high gloss			✓													
	81 - burgundy high gloss			✓													
	MFC - 67 - white pastel		✓														
	Metal - M015 - white semi-mat				✓												

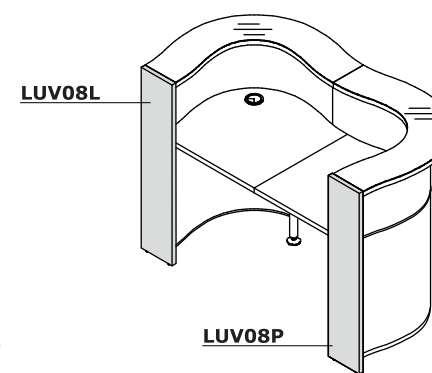
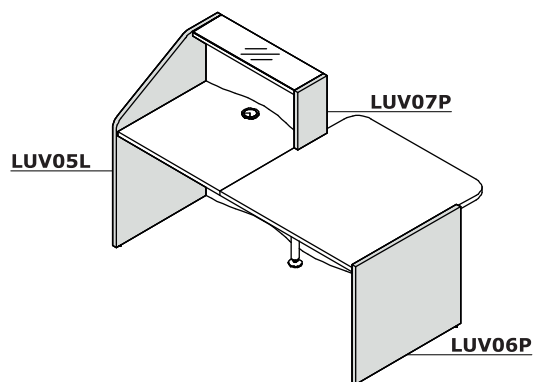
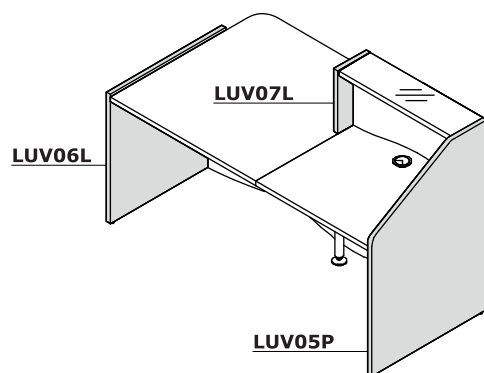
Technical specification

- 1 Top** - MFC 36 mm + Glass LACOBEL 4 mm (40 mm)
- 2 Worktop** - MFC 28 mm, ABS edge
- 3 Front** - HPL - high gloss
- 4 Decorative stripe** - PVC, colour: M009 - aluminium semi-matt
- 5 Low side panel** - MFC 28 mm, ABS edge
- 6 Leveling** - 5 mm range
- 7 Shelf for reception counter** - HPL mat 6 mm
- 8 Fixing element** - powder coated metal, colour: M015 - metal white semi-matt
- 9 Side panel linking low and high fronts** - MFC 28 mm, ABS edge
- 10 Cable grommets** - Ø80 mm
- 11 Supporting leg NL41** - required for connecting the tops

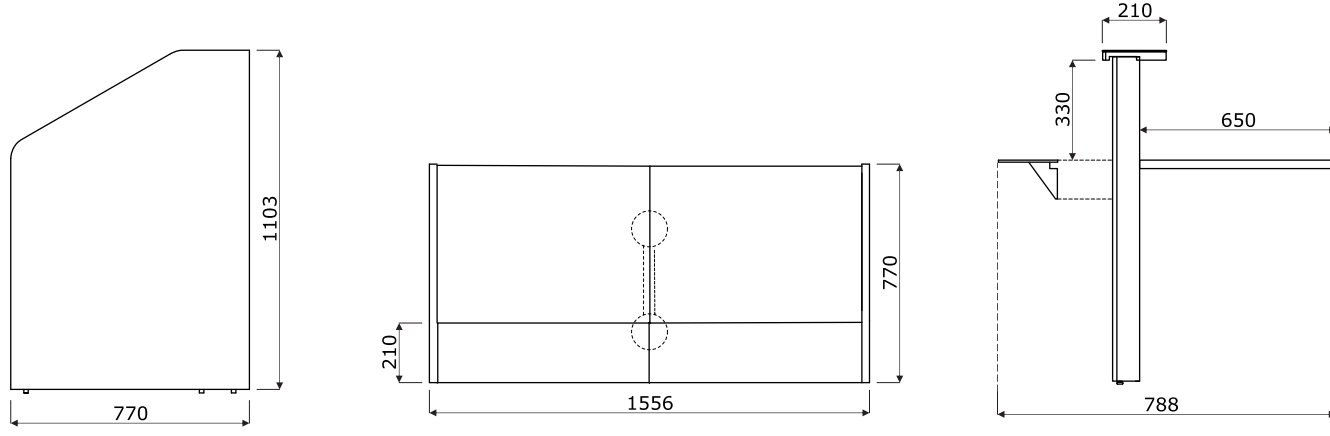


ATTENTION - Interior of the front in white

Ending elements application



Dimensions (mm)



Symbol		Dimensions					kg m3 pcs	Composition elements
		W1	W2	D1	D2	H		
LUV10		1026	1034			755	50.5 kg 0.168 m3 4 pcs	LUV06L+LUV01+LUV06P
LUV101		826	1034			755	44.5 kg 0.142 m3 4 pcs	LUV06L+LUV011+LUV06P

Extra charge						

Symbol		Dimensions					kg m3 pcs	Composition elements
		W1	W2	D1	D2	H		
LUV11		806	770			1103	59 kg 0.189 m3 4 pcs	LUV05L+LUV02+LUV05P
LUV12		1026	770			1103	63 kg 0.226 m3 4 pcs	LUV05L+LUV03+LUV05P

Extra charge						

Symbol		Dimensions					kg m3 pcs	Composition elements
		W1	W2	D1	D2	H		
LUV13		1556	770			1103	90 kg 0.38 m3 7 pcs	LUV05L+2xLUV02+LUV05P+NL41
LUV14		1996	770			1103	98 kg 0.453 m3 7 pcs	LUV05L+2xLUV03+LUV05P+NL41

Extra charge						

Symbol		Dimensions					kg m3 pcs	Composition elements
		W1	W2	D1	D2	H		
LUV15		2306	770			1103	121 kg 0.57 m3 10 pcs	LUV05L+3xLUV02+LUV05P+2xNL41
LUV16		2966	770			1103	133 kg 0.681 m3 10 pcs	LUV05L+3xLUV03+LUV05P+2xNL41

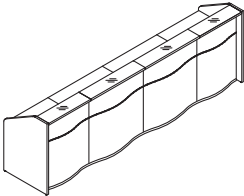
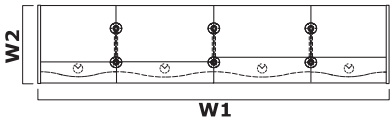
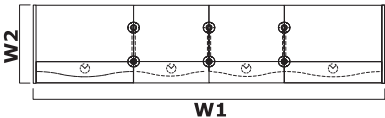
Extra charge						

Symbol		Dimensions					kg m3 pcs	Composition elements
		W1	W2	D1	D2	H		
LUV17		2746	770			1103	129 kg 0.644 m3 10 pcs	LUV05L+2xLUV02+LUV03 +LUV05P+2xNL41
LUV18		2526	770			1103	125 kg 0.607 m3 10 pcs	LUV05L+2xLUV03+LUV02+LUV05P+2xNL41

Extra charge						

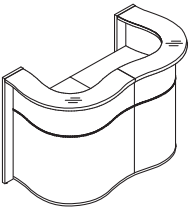
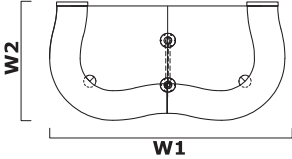
Symbol		Dimensions					kg m3 pcs	Composition elements
		W1	W2	D1	D2	H		
LUV19		3496	770			1103	152 kg 0.761 m3 13 pcs	LUV05L+4xLUV02+LUV05P+3xNL41
LUV20		3936	770			1103	168 kg 0.909 m3 13 pcs	LUV05L+4xLUV03+LUV05P+3xNL41

Extra charge						

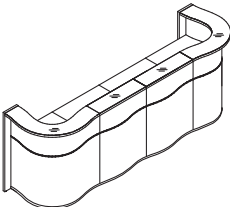
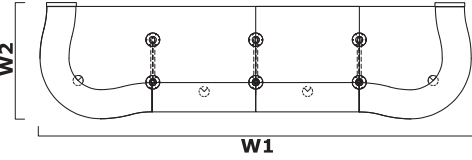
Symbol		Dimensions					kg m3 pcs	Composition elements
		W1	W2	D1	D2	H		
LUV21		3496	770			1103	160 kg 0.835 m3 13 pcs	LUV05L+2xLUV02+2xLUV03 +LUV05P+3xNL41

Extra charge						

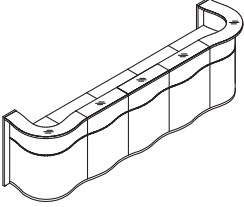
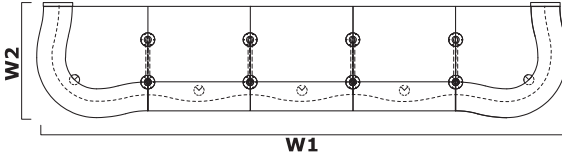
Symbol		Dimensions					kg m3 pcs	Composition elements
		W1	W2	D1	D2	H		
LUV22		1624	841			1103	84 kg 0.575 m3 7 pcs	LUV08L+2xLUV04+LUV08P+NL41

Extra charge						

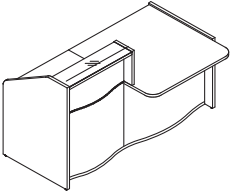
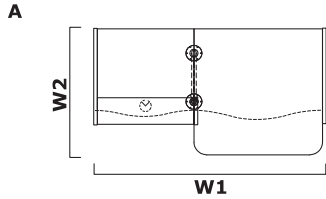
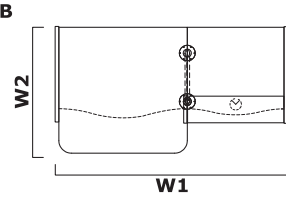
Symbol		Dimensions					kg m3 pcs	Composition elements
		W1	W2	D1	D2	H		
LUV23		3124	841			1103	146 kg 0.957 m3 13 pcs	LUV08L+2xLUV04+2xLUV02+LUV08P+3xNL41
LUV24		3564	841			1103	154 kg 1.031 m3 13 pcs	LUV08L+2xLUV04+2xLUV03+LUV08P+3xNL41

Extra charge						

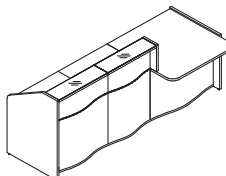
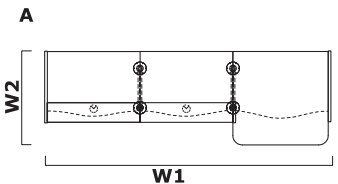
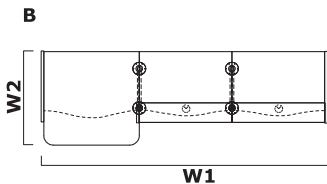
Symbol		Dimensions					kg m3 pcs	Composition elements
		W1	W2	D1	D2	H		
LUV25		3874	841			1103	177 kg 1.148 m3 16 pcs	LUV08L+2xLUV04+3xLUV02+LUV08P+4xNL41
LUV26		4534	841			1103	189 kg 1.259 m3 16 pcs	LUV08L+2xLUV04+3xLUV03+LUV08P+4xNL41

Extra charge						

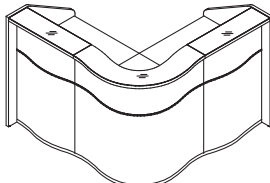
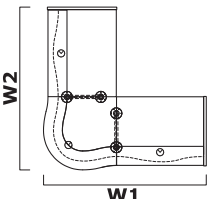
Symbol			Dimensions					kg m3 pcs	Composition elements
A	B		W1	W2	D1	D2	H		
LUV27L	LUV27P		1776	1034			1103	87.5 kg 0.369 m3 8 pcs	A - LUV06L+LUV01+LUV07L+LUV02 +LUV05P+NL41 B - LUV05L+LUV02+LUV07P+LUV01+LUV06P+NL41
LUV271L	LUV271P		1576	1034			1103	81.5 kg 0.342 m3 8 pcs	A - LUV06L+LUV011+LUV07L+LUV02+LUV05P+NL41 B - LUV05L+LUV02+LUV07P+LUV011+LUV06P+NL41
LUV28L	LUV28P		1996	1034			1103	91.5 kg 0.406 m3 8 pcs	A - LUV06L+LUV01+LUV07L+LUV03 +LUV05P+NL41 B - LUV05L+LUV03+LUV07P+LUV01+LUV06P+NL41
LUV281L	LUV281P		1776	1034			1103	85.5 kg 0.379 m3 8 pcs	A - LUV06L+LUV011+LUV07L+LUV03+LUV05P+NL41 B - LUV05L+LUV03+LUV07P+LUV011+LUV06P+NL41

Extra charge						

Symbol		Dimensions	kg	m3	pcs	Composition elements		
A	B						W1	W2
LUV29L	LUV29P	2526	1034			1103	118.5 kg 0.56 m3 11 pcs	A - LUV06L+LUV01+LUV07L+2xLUV02+LUV05P+NL41 B - LUV05L+2xLUV02+LUV07P+LUV01+LUV06P+NL41
LUV291L	LUV291P	2326	1034			1103	112.5 kg 0.533 m3 11 pcs	A - LUV06L+LUV011+LUV07L+2xLUV02+LUV05P+NL41 B - LUV05L+2xLUV02+LUV07P +LUV011+LUV06P+NL41
LUV30L	LUV30P	2966	1034			1103	126.5 kg 0.634 m3 11 pcs	A - LUV06L+LUV01+LUV07L+2xLUV03+LUV05P+NL41 B - LUV05L+2xLUV03+LUV07P+LUV01+LUV06P+NL41
LUV301L	LUV301P	2766	1034			1103	120.5 kg 0.607 m3 11 pcs	A - LUV06L+LUV011+LUV07L+2xLUV03+LUV05P+NL41 B - LUV05L+2xLUV03+LUV07P +LUV011+LUV06P+NL41

Extra charge						

Symbol		Dimensions	kg	m3	pcs	Composition elements		
							W1	W2
LUV35		1590	1590			1103	128 kg 0.689 m3 10 pcs	LUV05L+LUV02+LUV04+LUV02+LUV05P+2xNL41
LUV36		1810	1810			1103	136 kg 0.763 m3 10 pcs	LUV05L+LUV03+LUV04+LUV03 +LUV05P+2xNL41

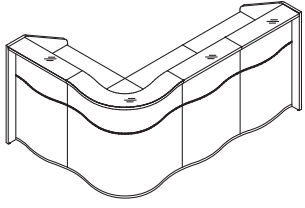
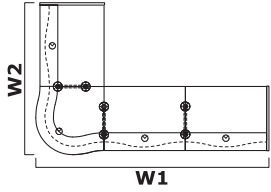
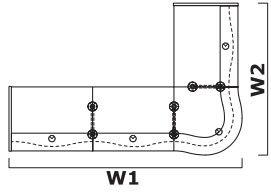
Extra charge						

Symbol		Dimensions					kg m3 pcs	Composition elements
		W1	W2	D1	D2	H		
LUV37		1810	1590			1103	132 kg 0.726 m3 10 pcs	LUV05L+LUV03+LUV04+LUV02 +LUV05P+2xNL41

Extra charge						

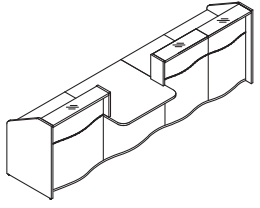
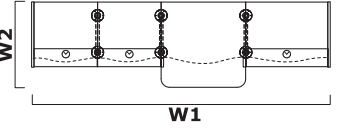
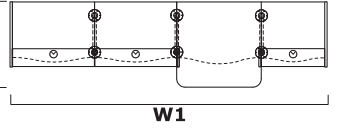
Symbol		Dimensions					kg m3 pcs	Composition elements
		W1	W2	D1	D2	H		
LUV31		3276	1034			1103	155.5 kg 0.76 m3 15 pcs	LUV05L+2xLUV02+LUV07P+LUV01+LUV07L+LUV02+LUV05P+3xNL41
LUV311		3076	1034			1103	149.5 kg 0.734 m3 15 pcs	LUV05L+2xLUV02+LUV07P +LUV011+LUV07L+LUV02+LUV05P+3xNL41
LUV32		3936	1034			1103	167.5 kg 0.871 m3 15 pcs	LUV05L+2xLUV03+LUV07P+LUV01+LUV07L+LUV03+LUV05P+3xNL41
LUV321		3736	1034			1103	161.5 kg 0.845 m3 15 pcs	LUV05L+2xLUV03+LUV07P +LUV011+LUV07L+LUV03+LUV05P+3xNL41

Extra charge						

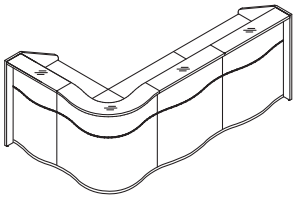
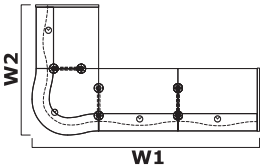
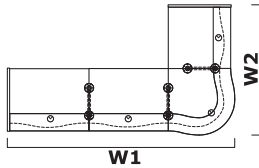
Symbol		Dimensions					kg m3 pcs	Composition elements
		W1	W2	D1	D2	H		
LUV41		2340	1590			1103	159 kg 0.879 m3 13 pcs	LUV05L+2xLUV02+LUV04+LUV02+LUV05P+3xNL41
LUV42		2780	1810			1103	171 kg 0.99 m3 13 pcs	LUV05L+2xLUV03+LUV04+LUV03+LUV05P+3xNL41

Extra charge					

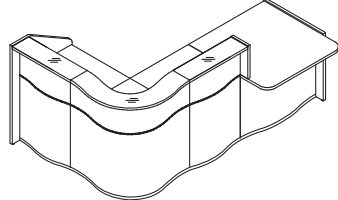
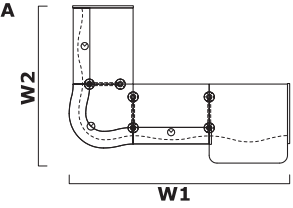
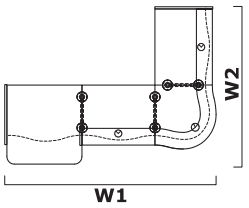
Symbol		Dimensions					kg m3 pcs	Composition elements
		W1	W2	D1	D2	H		
LUV33		3496	1034			1103	159.5 kg 0.797 m3 15 pcs	LUV05L+LUV03+LUV07P+LUV01+LUV07L+2xLUV02+LUV05P+3xNL41
LUV331		3296	1034			1103	153.5 kg 0.771 m3 15 pcs	LUV05L+LUV03+LUV07P+LUV011+LUV07L+2xLUV02+LUV05P+3xNL41
LUV34		3716	1034			1103	163.5 kg 0.834 m3 15 pcs	LUV05L+LUV02+LUV07P+LUV01+LUV07L+2xLUV03+LUV05P+3xNL41
LUV341		3516	1034			1103	157.5 kg 0.808 m3 15 pcs	LUV05L+LUV02+LUV07P+LUV011+LUV07L+2xLUV03+LUV05P+3xNL41

Extra charge					

Symbol		Dimensions					kg m3 pcs	Composition elements
		W1	W2	D1	D2	H		
LUV43		2780	1591			1103	167 kg 0.953 m3 13 pcs	LUV05L+2xLUV03+LUV04+LUV02+LUV05P+3xNL41
LUV44		2343	1813			1103	163 kg 0.916 m3 13 pcs	LUV05L+2xLUV02+LUV04+LUV03+LUV05P+3xNL41

Extra charge					

Symbol		Dimensions					kg m3 pcs	Composition elements
A	B	W1	W2	D1	D2	H		
LUV38L	LUV38P	2560	1605			1103	156.5 kg 0.869 m3 14 pcs	A - LUV06L+LUV01+LUV07L +LUV02+LUV04+LUV02+LUV05P+3xNL41 B - LUV05L+LUV02+LUV04+LUV02 +LUV07P+LUV01+LUV06P+3xNL41
LUV381L	LUV381P	2360	1605			1103	150.5 kg 0.842 m3 14 pcs	A - LUV06L+LUV011+LUV07L+LUV02+LUV04+LUV02+LUV05P+3xNL41 B - LUV05L+LUV02+LUV04+LUV02 +LUV07P+LUV011+LUV06P +3xNL41
LUV39L	LUV39P	2780	1825			1103	164.5 kg 0.943 m3 14 pcs	A - LUV06L+LUV01+LUV07L+LUV03 +LUV04+LUV03+LUV05P+3xNL41 B - LUV05L+LUV03+LUV04+LUV03 +LUV07P+LUV01+LUV06P+3xNL41
LUV391L	LUV391P	2580	1825			1103	158.5 kg 0.916 m3 14 pcs	A - LUV06L+LUV011+LUV07L+LUV03+LUV04+LUV03+LUV05P+3xNL41 B - LUV05L+LUV03+LUV04+LUV03 +LUV07P+LUV011+LUV06P +3xNL41

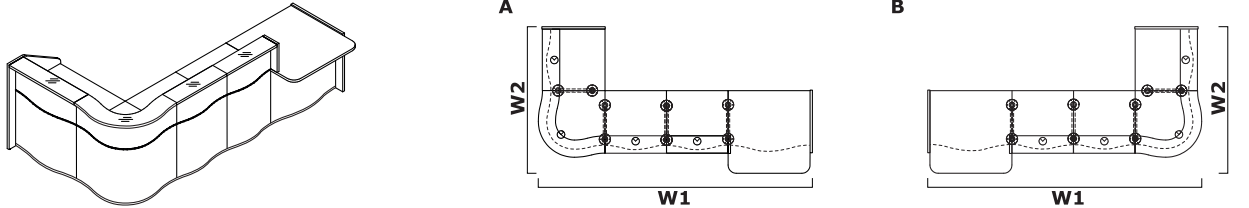
Extra charge					

		A		B				
Symbol		Dimensions					kg m3 pcs	Composition elements
A	B	W1	W2	D1	D2	H		
LUV49L	LUV49P	858	925			1103	39 kg 0.231 m3 2 pcs	A - B -

Extra charge						

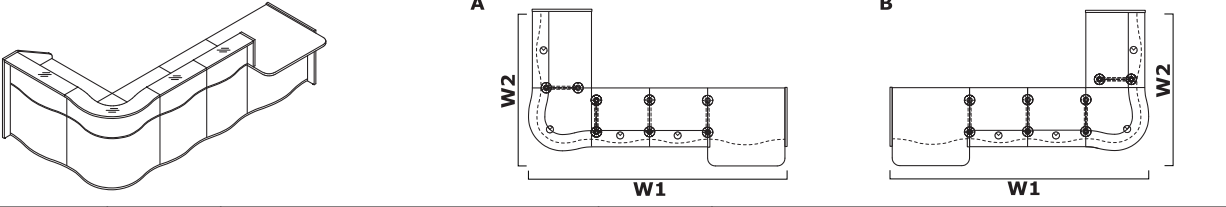
		A		B				
Symbol		Dimensions					kg m3 pcs	Composition elements
A	B	W1	W2	D1	D2	H		
LUV40L	LUV40P	2780	1807			1103	160.5 kg 0.906 m3 14 pcs	A - LUV06L+LUV01+LUV07L+LUV03 +LUV04+LUV02+LUV05P+3xNL41 B - LUV05L+LUV02+LUV04+LUV03 +LUV07P+LUV01+LUV06P+3xNL41
LUV401L	LUV401P	2580	1807			1103	154.5 kg 0.879 m3 14 pcs	A - LUV06L+LUV011+LUV07L+LUV03+LUV04+LUV02+LUV05P+3xNL41 B - LUV05L+LUV02+LUV04+LUV03 +LUV07P+LUV011+LUV06P +3xNL41

Extra charge						



Symbol		Dimensions	kg	m3	pcs	Composition elements		
A	B						W1	W2
LUV45L	LUV45P	3310	1807			1103	187.5 kg 1.06 m3 17 pcs	A - LUV06L+LUV01+LUV07L+2xLUV02+LUV04+LUV02+LUV05P+4xNL41 B - LUV05L+LUV02+LUV04+2xLUV02+LUV07P+LUV01+LUV06P+4xNL41
LUV451L	LUV451P	3110	1807			1103	181.5 kg 1.033 m3 17 pcs	A - LUV06L+LUV011+LUV07L+2xLUV02+LUV04+LUV02+LUV05P+4xNL41 B - LUV05L+LUV02+LUV04+2xLUV02+LUV07P+LUV011+LUV06P+4xNL41
LUV46L	LUV46P	3750	1825			1103	199.5 kg 1.171 m3 17 pcs	A - LUV06L+LUV01+LUV07L+2xLUV03+LUV04+LUV03+LUV05P+4xNL41 B - LUV05L+LUV03+LUV04+2xLUV03+LUV07P+LUV01+LUV06P+4xNL41
LUV461L	LUV461P	3550	1825			1103	193.5 kg 1.144 m3 17 pcs	A - LUV06L+LUV011+LUV07L+2xLUV03+LUV04+LUV03+LUV05P+4xNL41 B - LUV05L+LUV03+LUV04+2xLUV03+LUV07P+LUV011+LUV06P+4xNL41

Extra charge					



Symbol		Dimensions	kg	m3	pcs	Composition elements		
A	B						W1	W2
LUV47L	LUV47P	3310	1825			1103	195.5 kg 1.134 m3 17 pcs	A - LUV06L+LUV01+LUV07L+2xLUV02+LUV04+LUV03+LUV05P+4xNL41 B - LUV05L+LUV03+LUV04+2xLUV02+LUV07P+LUV01+LUV06P+4xNL41
LUV471L	LUV471P	3110	1825			1103	189.5 kg 1.107 m3 17 pcs	A - LUV06L+LUV011+LUV07L+2xLUV02+LUV04+LUV03+LUV05P+4xNL41 B - LUV05L+LUV03+LUV04+2xLUV02+LUV07P+LUV011+LUV06P+4xNL41
LUV48L	LUV48P	3750	1807			1103	191.5 kg 1.097 m3 17 pcs	A - LUV06L+LUV01+LUV07L+2xLUV03+LUV04+LUV02+LUV05P+4xNL41 B - LUV05L+LUV02+LUV04+2xLUV03+LUV07P+LUV01+LUV06P+4xNL41
LUV481L	LUV481P	3550	1807			1103	185.5 kg 1.07 m3 17 pcs	A - LUV06L+LUV011+LUV07L+2xLUV03+LUV04+LUV02+LUV05P+4xNL41 B - LUV05L+LUV02+LUV04+2xLUV03+LUV07P+LUV011+LUV06P+4xNL41

Extra charge					

