



PRODUCT FACT SHEET > LIGHTING > KIZU TABLE LAMP



KIZU TABLE LAMP

Composed of two bold sculptural forms, the Kizu Table Lamp displays a weightless balancing act. The illusion of gravity creates a tension within the piece, while its curved forms initiate a calming effect. This kissing point of material and function creates an object in perfect harmony.

About the designer Lars Tornøe

Norwegian design Lars Tornøe works across the areas of furniture and product design with a sculpted simplicity. His work is understated but bold. Having graduated from the Bergen Academy of Art and Design in 2006, Lars has been named Norwegian Designer of the Year and had his work exhibited from Stockholm to Seoul.

KIZU TABLE LAMP SMALL

EAN NO	ITEM NO	VARIATION
5712826204207	20420	White Marble w. White Acrylic
5712826204214	20421	Black Marble w. White Acrylic

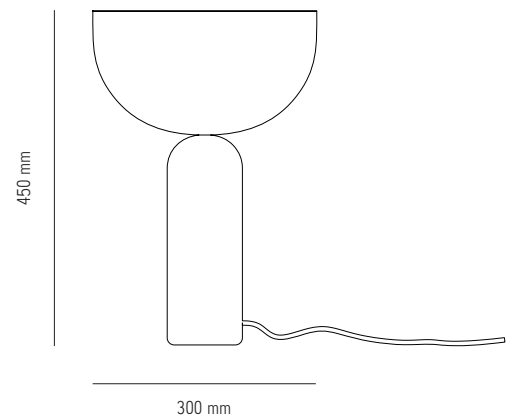
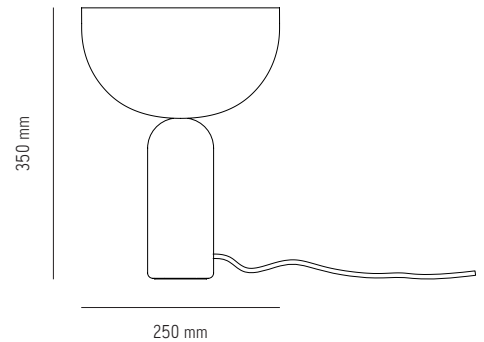
KIZU TABLE LAMP LARGE

EAN NO	ITEM NO	VARIATION
5712826204108	20410	White Marble w. White Acrylic
5712826204115	20411	Black Marble w. White Acrylic



SPECIFICATION

PRODUCT NAME	KIZU TABLE LAMP	
DESIGNER	LARS TORNØE	
YEAR	2018	
CATEGORY	LIGHTING	
TYPE	TABLE LAMP	
MATERIAL	MARBLE, ACRYLLIC	
COLOR / VARIATION	WHITE MARBLE W. WHITE ACRYLIC/BLACK MARBLE W. WHITE ACRYLIC	
PRODUCT DIMENSIONS	H: 350 X Ø: 250 MM	H: 450 X Ø: 300 MM
PACKAGING DIMENSIONS	320 X 320 X 446 MM	370 X 370 X 546 MM
CORD LENGTH	1800 MM (INCL. DIMMABLE SWITCH 300 MM FROM LAMP BASE)	
WEIGHT (INCL. PACKAGING)	4,25 KG	
LIGHT SOURCE	E14, LED MAX 7W (220-240V~50/60 HZ)	
BULB	NOT INCLUDED	
CERTIFICATION	CE, CLASS II, IP20	
CONTRY OF ORIGION	CHINA	
MASTERPACKAGING	1	



CLEANING INSTRUCTIONS/ MAINTENANCE & CARE

Turn off the electricity before cleaning the lamp. Wipe the lamp with a soft dry or moist cloth. Do not use any abrasive cleaning tools, and never use strong cleaning agents such as household glass cleaner, white spirit or turpentine.

SAFETY PRECAUTIONS/ ATTENTION

The Kizu Table Lamp is carefully handcrafted, and therefore every item is unique. It may occur different expression in the material and surface, with smaller marks and minor deviations. The lamp is only intended for indoor use, and consult a professionally qualified electrician if any doubt. Only use approved light bulb and following guidance - 220-240V~ 50/60Hz, E27, LED 11W.



PRODUCT FACT SHEET > LIGHTING > KIZU TABLE LAMP

WHITE MARBLE W. WHITE ACRYLIC



BLACK MARBLE W. WHITE ACRYLIC

