

NUURA



APIALES 18 - Opal

Design: Sofie Refer, 2018. EU-model.

Apiales 18 in mouth blown Opal White glass and Brushed Brass metal finish.

With inspiration from flowers, Sofie Refer has designed the chandelier collection, Apiales.

The collection consists of two chandeliers with 9 or 18 mouth-blown glass globes and are available in golden Brushed Brass finish or the smooth Satin Black.

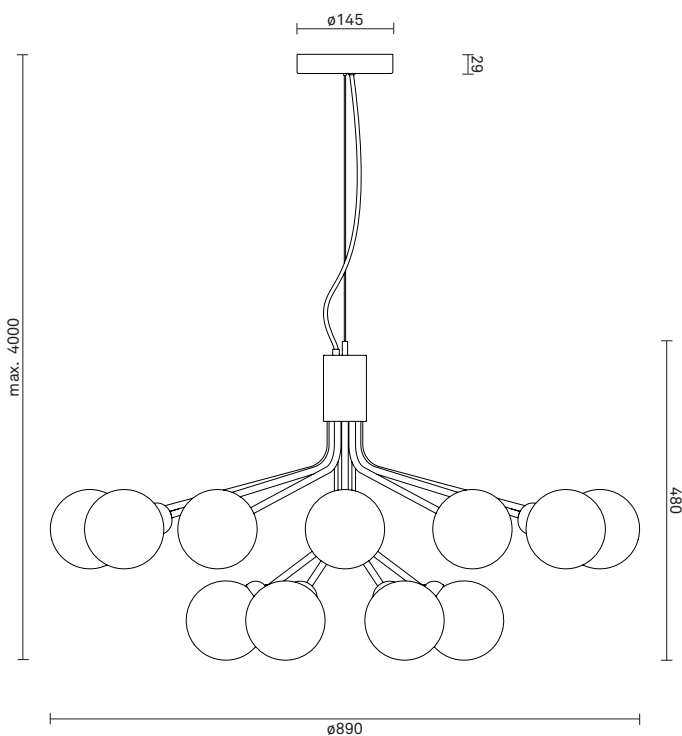
From a specially-produced canopy, the arms unfold like flower stalks from which light is spread with grace. Suitable for residential homes, restaurants and hotels.

Apiales 18 with its 89 cm in diameter, will look great as the centrepiece in the foyer, a large living room or over a large dining table.

Apiales collection:

The Apiales collection includes the following products:

- Apiales 9 / Opal
- Apiales 18 / Opal



TECHNICAL INFO

Product no.: 05180424
Type: Suspension - Indoor

Colour:
Glass: Opal White
Metal: Brushed Brass Finish
Cable: Gold

Materials:
Anodized metal
Mouth-blown glass
Fabric covered cable

Dimensions:
ø890mm x 480mm
Ceiling plate: ø145mm x 29mm
Fabric cable - Length: 4000mm

Product weight:
Product incl. ceiling plate: 7390 g
Ceiling plate: - g

Packaging:
Dimensions: L: 796mm x W: 796mm x H: 520mm
Weight: 6620 g
Total weight incl. product: 14010 g
Number of parcels: 1
Material: Brown cardboard.

Packaging - weight - material:

Cardboard outside: - g
Cardboard inside: - g
Bubble wrap: - g
Plastic bag: - g

Light source:

Socket: G9
Max wattage: 18 x 3W (Bulb not included)
Voltage (V): 220-240V

All products can be fitted with a dimmer.
Please contact your local electrician.


Recommended light source:

Illumination G9 (344-07), 2.3W LED, 2700K

Energy efficiency class:

A+ (with recommended bulb)

Certifications and labels:

CE - CE-certified
IP20 - IP20
 - Class II

Cleaning:

Use a soft dry cloth to clean the product.
Do not use household cleaners.



NUURA



APIALES 18 - Opal

Design: Sofie Refer, 2018. EU-model.

Apiales 18 in mouth blown Opal White glass and Brushed Brass metal finish.

With inspiration from flowers, Sofie Refer has designed the chandelier collection, Apiales.

The collection consists of two chandeliers with 9 or 18 mouth-blown glass globes and are available in golden Brushed Brass finish or the smooth Satin Black.

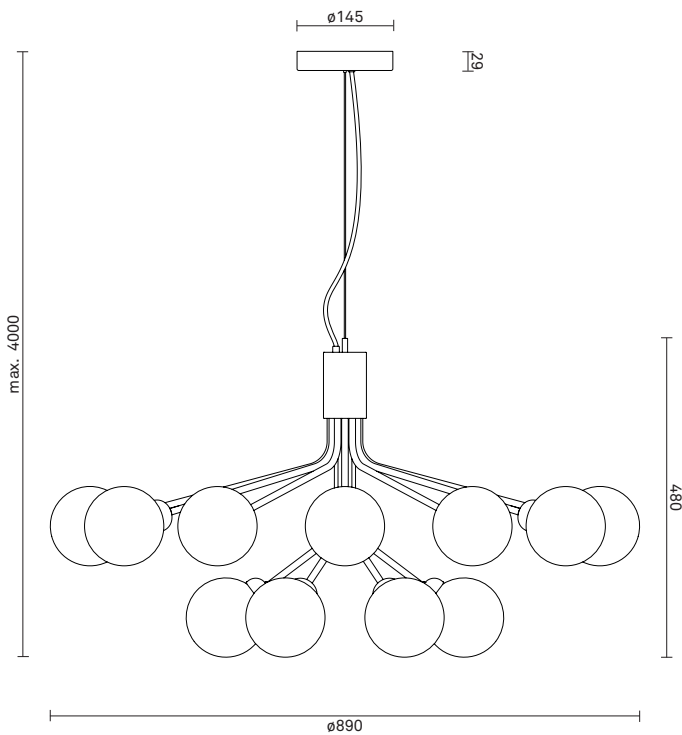
From a specially-produced canopy, the arms unfold like flower stalks from which light is spread with grace. Suitable for residential homes, restaurants and hotels.

Apiales 18 with its 89 cm in diameter, will look great as the centrepiece in the foyer, a large living room or over a large dining table.

Apiales collection:

The Apiales collection includes the following products:

- Apiales 9 / Opal
- Apiales 18 / Opal



TECHNICAL INFO

Product no.: 05180524
Type: Suspension - Indoor

Colour:
Glass: Opal White
Metal: Satin Black
Cable: Black

Materials:
Anodized metal
Mouth-blown glass
Fabric covered cable

Dimensions:
ø890mm x 480mm
Ceiling plate: ø145mm x 29mm
Fabric cable - Length: 4000mm

Product weight:
Product incl. ceiling plate: 7390 g
Ceiling plate: - g

Packaging:
Dimensions: L: 796mm x W: 796mm x H: 520mm
Weight: 6620 g
Total weight incl. product: 14010 g
Number of parcels: 1
Material: Brown cardboard.

Packaging - weight - material:

Cardboard outside: - g
Cardboard inside: - g
Bubble wrap: - g
Plastic bag: - g

Light source:

Socket: G9
Max wattage: 18 x 3W (Bulb not included)
Voltage (V): 220-240V

All products can be fitted with a dimmer.
Please contact your local electrician.


Recommended light source:

Illumination G9 (344-07), 2.3W LED, 2700K

Energy efficiency class:

A+ (with recommended bulb)

Certifications and labels:

CE - CE-certified
IP20 - IP20
 - Class II

Cleaning:

Use a soft dry cloth to clean the product.
Do not use household cleaners.

