

inner beauty pendant

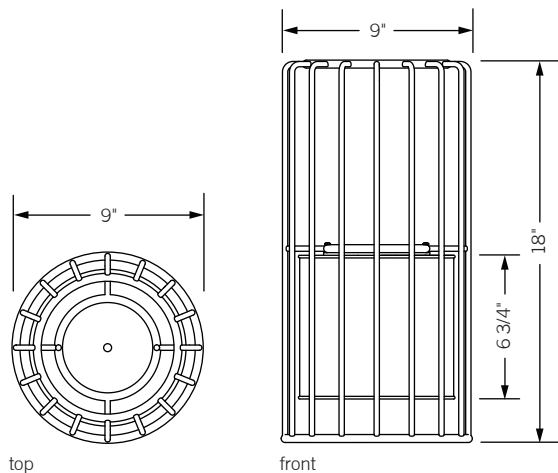
Smaller than its chandelier counterparts, the Inner Beauty Pendant receives its inspiration from the Inner Beauty Chandeliers. The bold hanging light can be used in multiples anywhere to create a dramatic atmosphere.



Specifications Solid steel bar available in a smoked brass, polished chrome, burnt copper, gloss or flat black and white powder coat. Powder coat finishes are available in custom colors.

Lamping (1) Candelabra (E12) Porcelain socket

Total dimensions Dia 9" H 18"

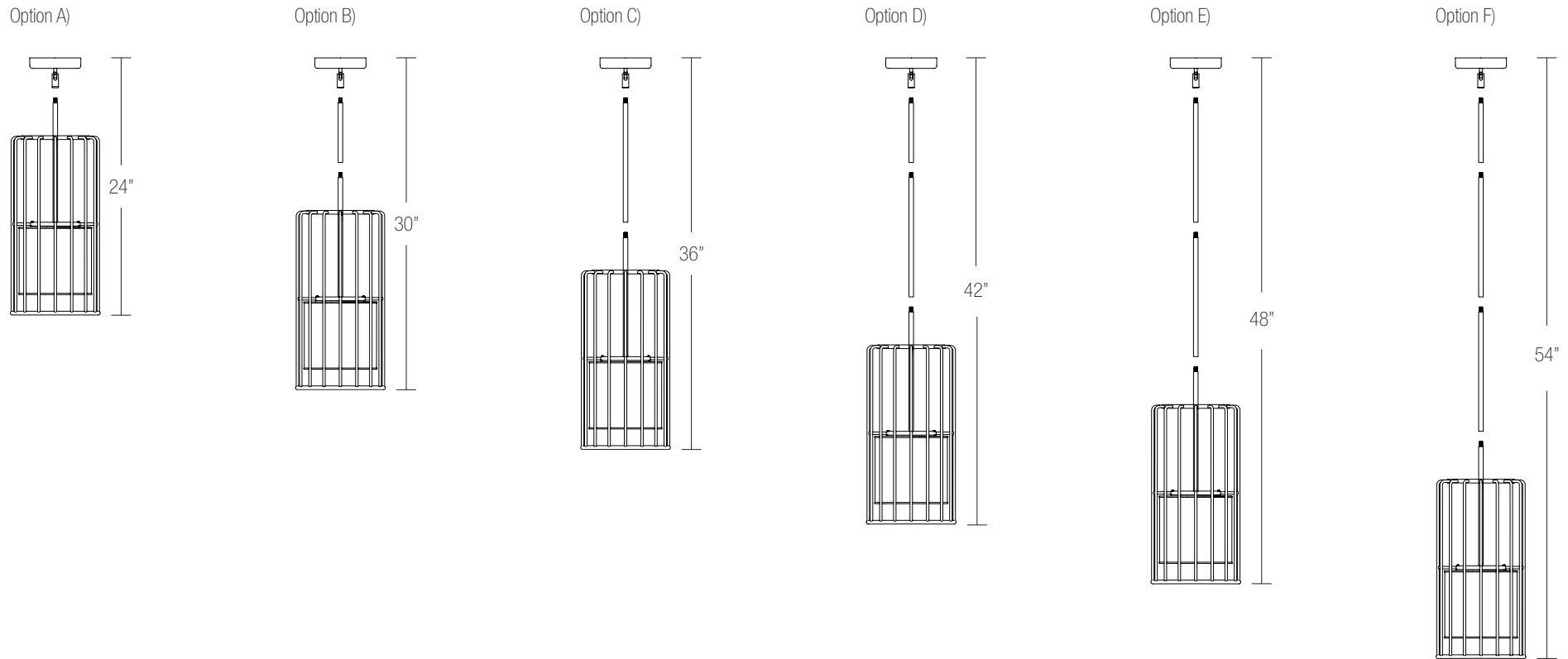


Hanging Height Options

Inner Beauty Pendant



Each fixture includes a hanging stem set comprised of a stem, hang-straight hardware, and canopy. The stem pipe connects to a middle plate within the fixture and is split into (3) 12" & (1) 6" stem tube lengths. This allows the fixture to be hung with the bottom of the fixture up to 56" from the ceiling. Should a longer hanging height be required, extra stem tubes may be ordered.



Each of the above configurations are possible using the standard hanging stem set provided with each fixture. All dimensions are approximate.