

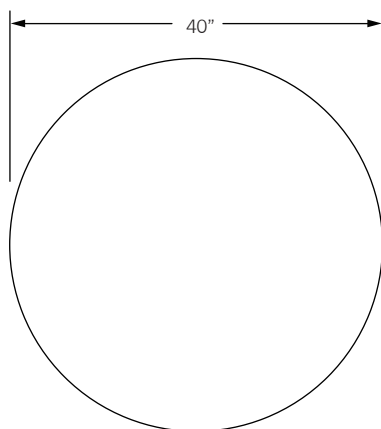
## wired cafe table

Tapered lengths of metal meet with intention in a modern interpretation of the wiry idea initially conceived by Warren Platner. This compact cafe table with grand presence is suitable to be used in multiples or in smaller dining areas.

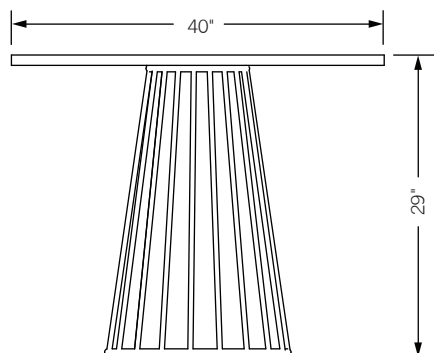


**Specifications** Solid steel bar with solid wooden top, available in walnut, white oak, or ebonized oak or white carrara marble top. Steel bar available in gloss or flat white and black powder coat, polished chrome, burnt copper, or smoked brass finish. Powder coat finishes also available in custom colors.

**Total dimensions** Dia 40" H 29"



top



front