

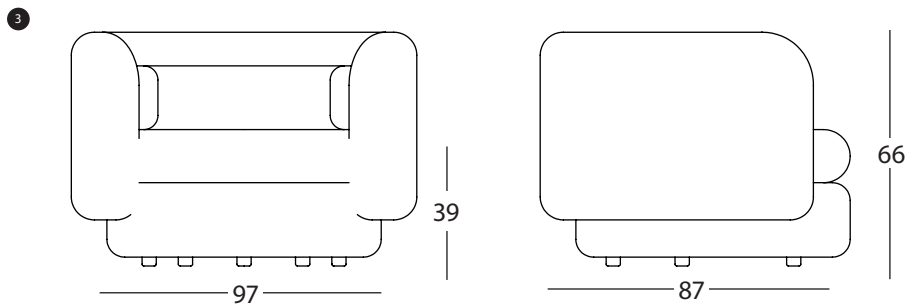
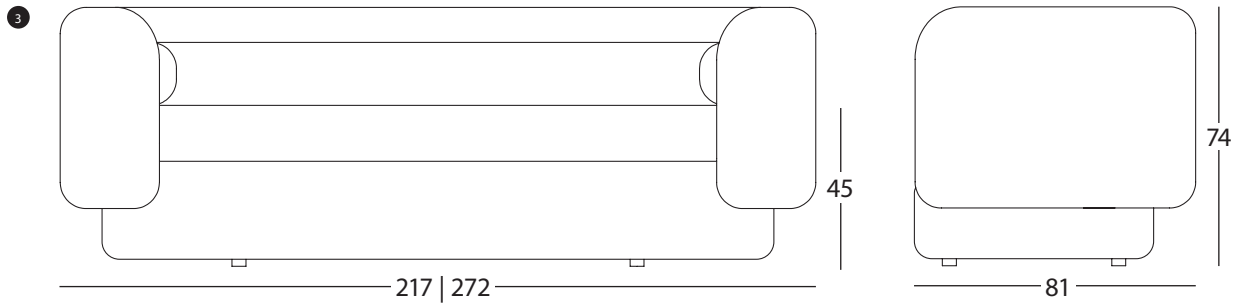
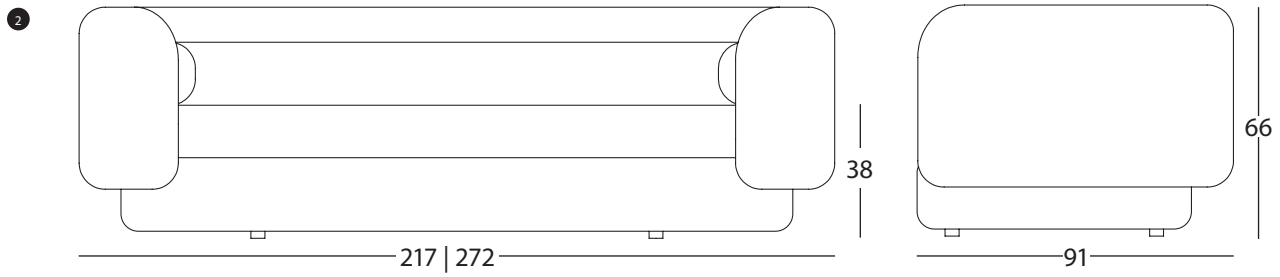
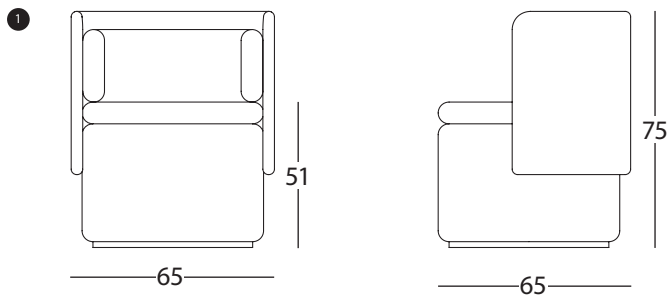


Group Philippe Malouin

A collection that comprises an upholstered cocktail chair, a formal and standard size sofa, and an armchair. The cocktail chair has a small footprint and a black powder coated steel fixed or swivel base. The compact sofa has a slightly higher seat and back, with a narrower seat than the standard size. The armchair has a fixed, round seat and low back, which offers depth and comfort. The design uses primary shapes in a concise way to form the base, back and seat. The frame is made from solid beech and poplar plywood. The seat base is webbed and has a seat and lumbar cushion made from feather and foam.

Made in the UK





Group

Philippe Malouin

- 1 Cocktail chair
- 2 Sofa: three, four seat
- 3 Compact sofa: three, four seat
- 4 Armchair