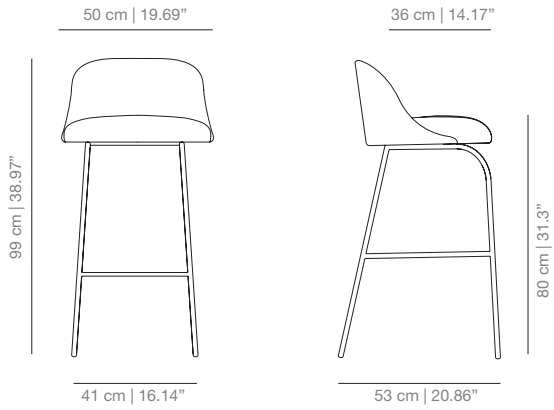
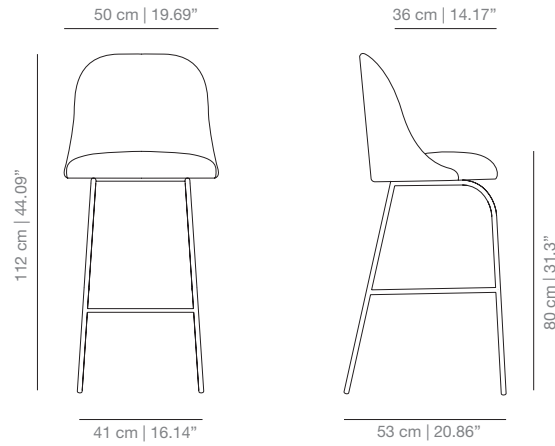


DIMENSIONES

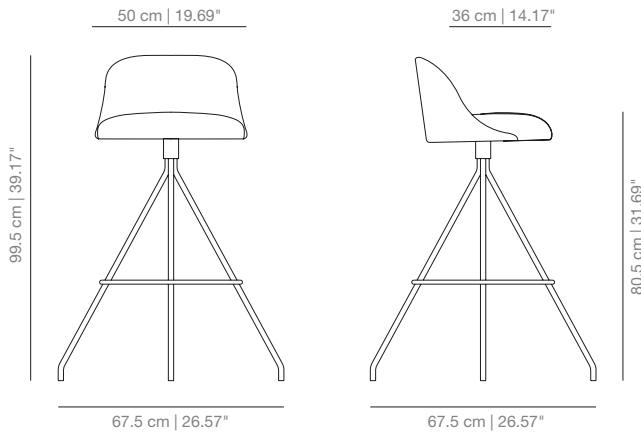
ALTA taburete bar



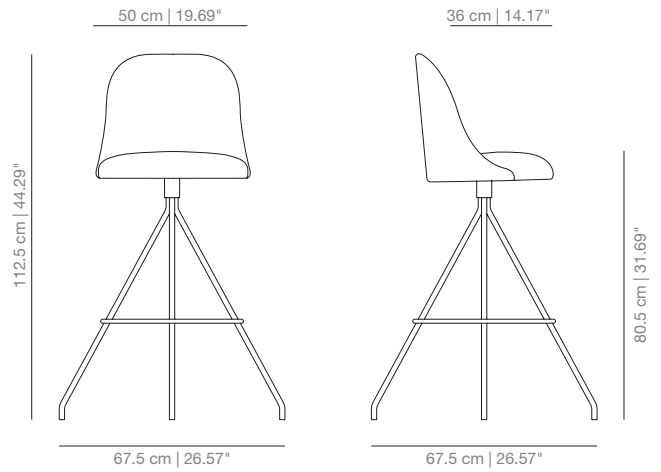
ALTAH taburete bar alto



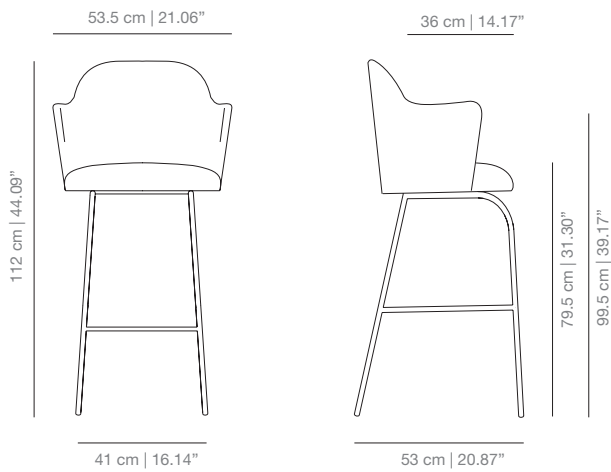
ALTABAR taburete bar giratorio



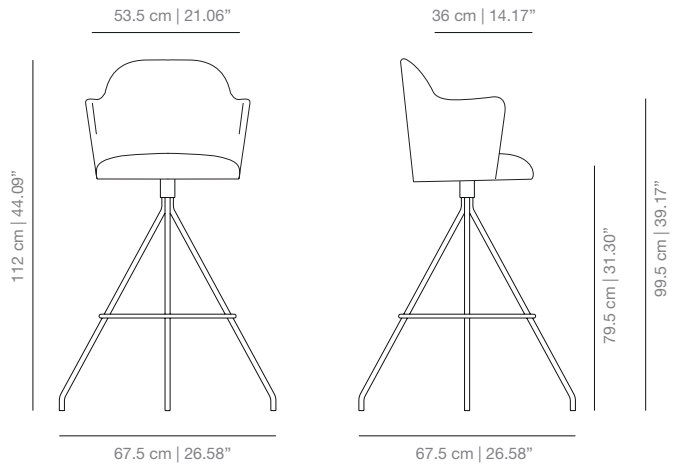
ALTABARH taburete bar giratorio alto



ALTAHBR taburete bar alto con brazos

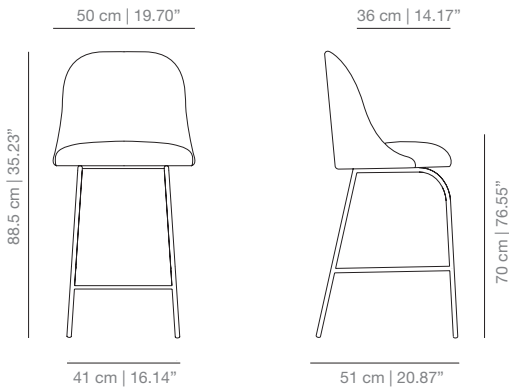


ALTABARHBR taburete bar giratorio alto con brazos

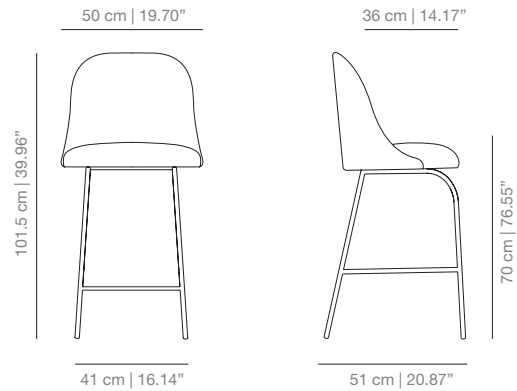


DIMENSIONS

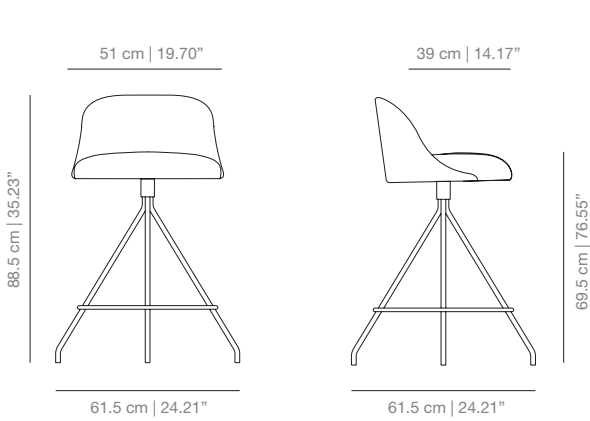
ALTAFC counter stool



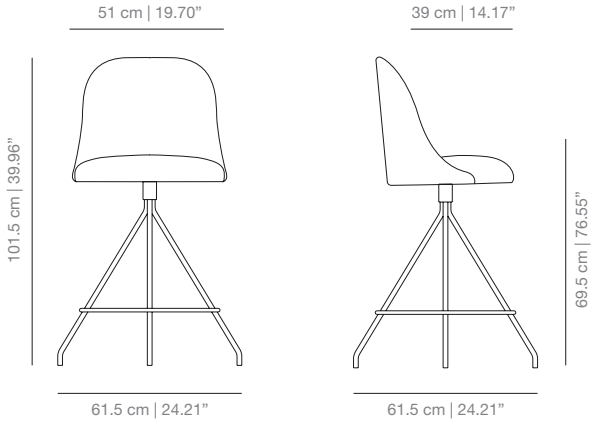
ALTAFCH high counter stool



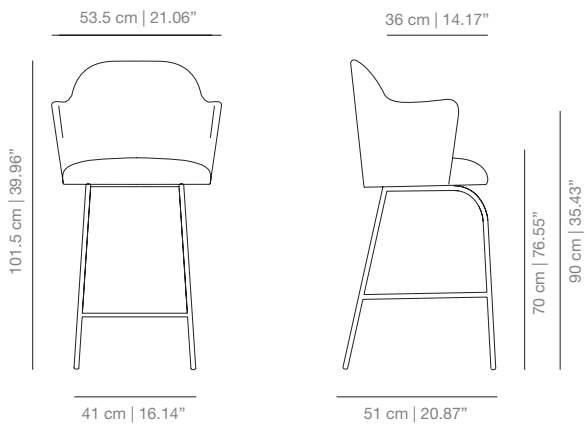
ALTACO swivel counter stool



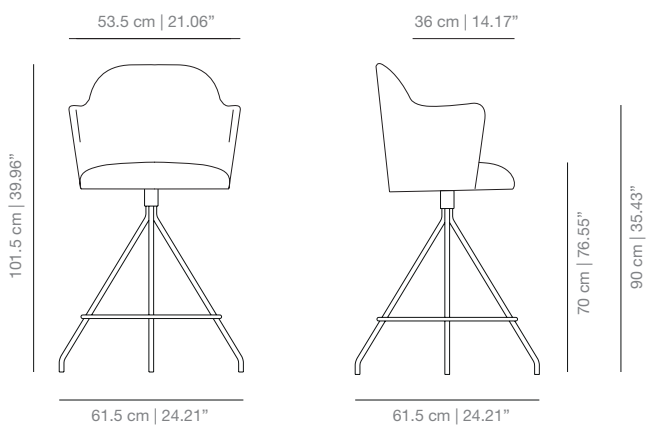
ALTACOH high swivel counter stool



ALTAFCHBR high counter stool with armrest



ALTACOHBR high swivel counter stool with armrest



## TECHNICAL INFO

Welded seat and backrest moulded in plywood coated with expanded polyuretane foam.

Base options:

**METAL BASE:** Calibrated steel structure powder coated in thermoreinforced polyester in white, black, sand or altea blue.

**WOODEN BASE:** Base in solid oak wood stained with the finishes of our collection.

**STOOL:** Calibrated steel structure powder coated in thermoreinforced polyester in white, black, sand or altea blue and footrest in stainless steel.

**CASTER BASE:** Aluminum swivel base powder coated in white or black (high gloss), height adjustment system and soft casters.

**SWIVEL BASE:** Calibrated steel swivel structure powder coated in thermoreinforced polyester in white, black, sand or altea blue.

**SWIVEL COUNTER STOOL:** Calibrated steel swivel structure powder coated in thermoreinforced polyester in white, black, sand or altea blue and footrest in stainless steel.

**SWIVEL BAR STOOL:** Calibrated steel swivel structure powder coated in thermoreinforced polyester in white, black, sand or altea blue and footrest in stainless steel.

## FINISHES

Upholstery

Check upholstery samples

## STRUCTURE



brass

*in metal base chair, bar stool and counter stool*

Powder coated



white  
RAL 9003



black  
RAL 9005



altea blue  
RAL 5000



sand  
NCS 3005Y50R

Stained (Oak)



matt  
oak



wenge



cognac



ash

## CERTIFICATES

ANSI BIFMA X5.4-2012  
(metal base chair, stool, high stool)