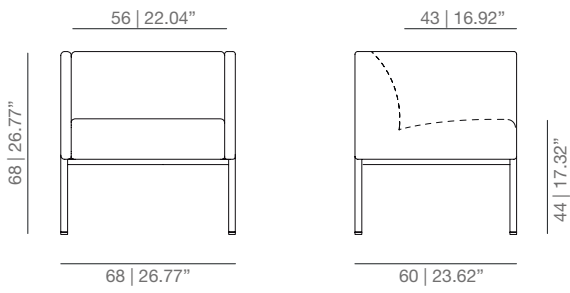
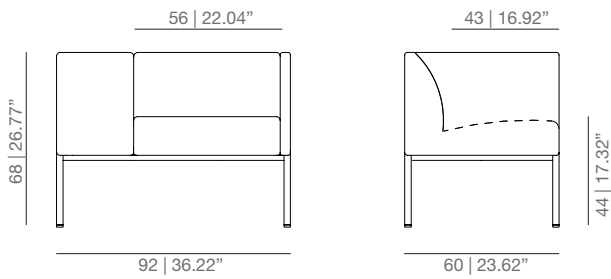


DIMENSIONS

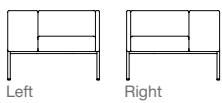
BRIX armchair thin



BRIX armchair

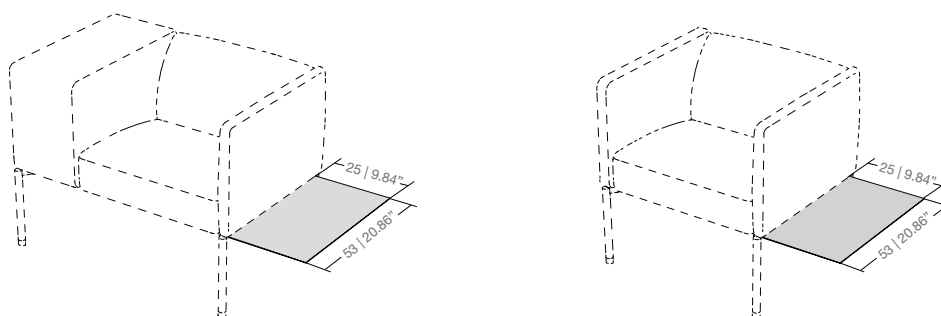


The BRIX armchair can be served with the wide arm to the left or to the right. Indicate the desired option in the order, remembering that the name left / right is understood by looking at the element for manufacturing purposes.



BRIX table

The auxiliary table is manufactured in lacquered MDF in the colours of our collection and is symmetrical so it can be used on the right or the left alike.



TECHNICAL INFO

Interior structure of arms, back and seat in solid wood.
Woven seat and back structure. We use PEFC certified wood.
Structure in calibrated steel tube powder coated in thermoreinforced polyester.
Expanded polyurethane foam in different densities.
Polyester fibre covering.
Fabric or leather.
Transparent injection polypropylene tips.
Auxiliary table manufactured in lacquered MDF.

FINISHES**UPHOLSTERY**

Check upholstery samples.

STRUCTURE

White
RAL 9003



Black
RAL 9005

TABLE

Lacquered



White
RAL 9003



Black
RAL 9005



Grey
RAL 9006



Sand
NCS 3005Y50R



Tobacco
RAL 8028



Smoke grey
RAL 1019



Silver
RAL 9006



Red
RAL 3001



Mustard
RAL 1012



Green
RAL 6007



Blue
RAL 5024



Bronze

CERTIFICATE

UNE EN 16139:13
ANSI-BIFMA X5.4-2012

