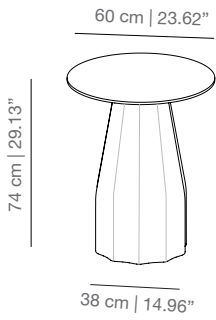


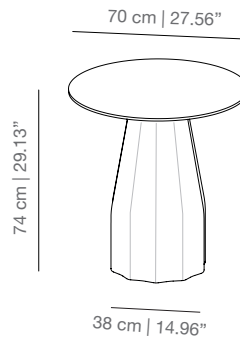
DIMENSIONS

HEIGHT 74

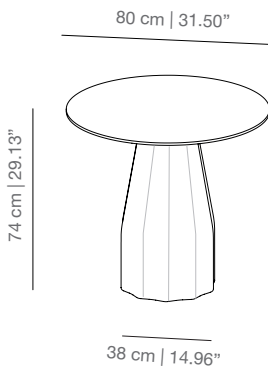
BUD60 round 60



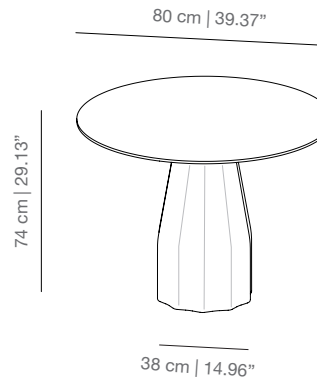
BUD70 round 70



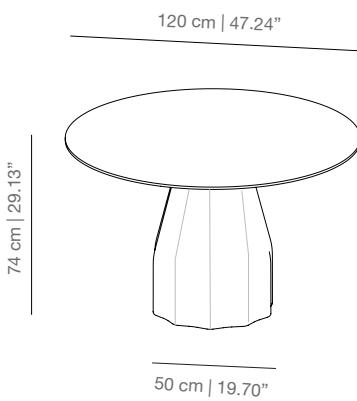
BUD80 round 80



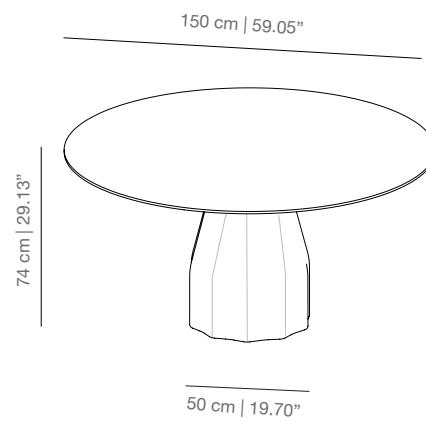
BUD100 round 100



BUD120 round 120



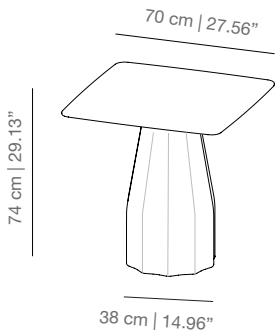
BUD150 round 150



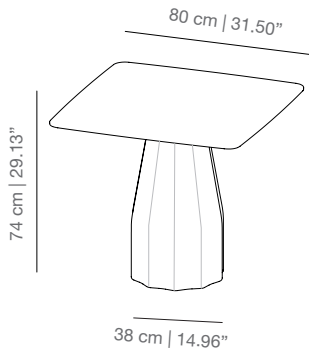
DIMENSIONS

HEIGHT 74

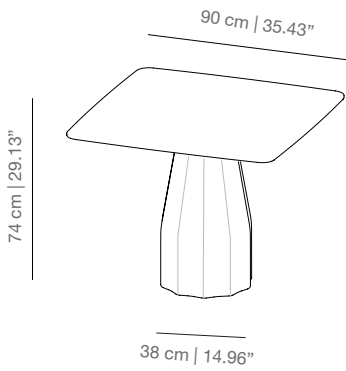
BUC70 70x70



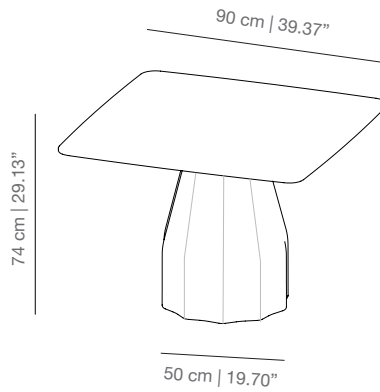
BUC80 80x80



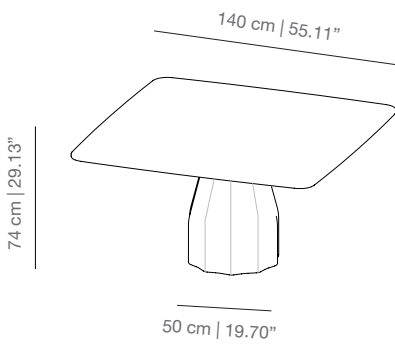
BUC90 90x90



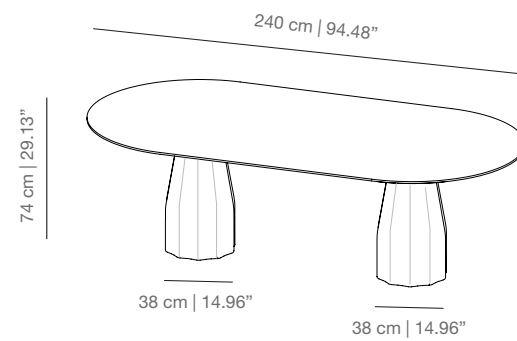
BUC100 100x100



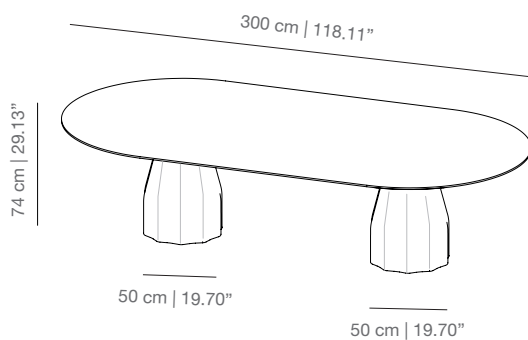
BUC140 140x140



BUC240 240x120



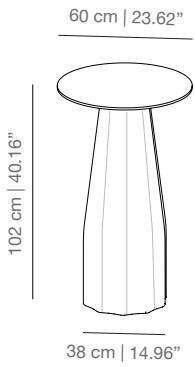
BUC300 300x150



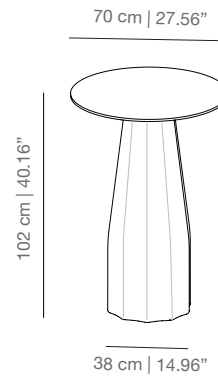
DIMENSIONS

HEIGHT 102

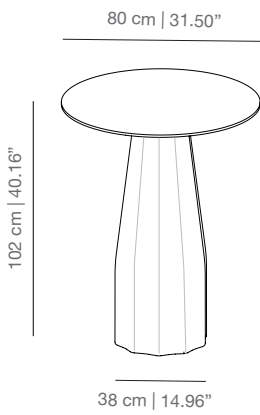
BUD60H round 60



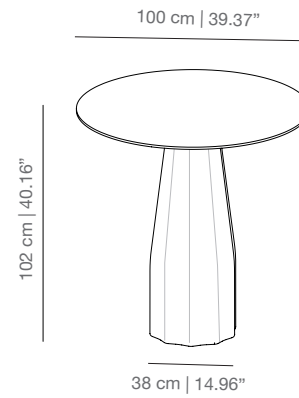
BUD70H round 70



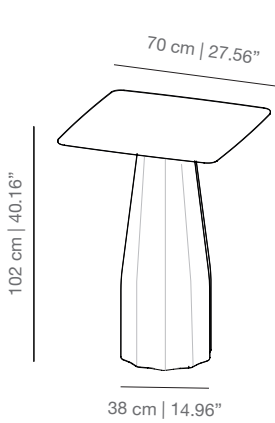
BUD80H round 80



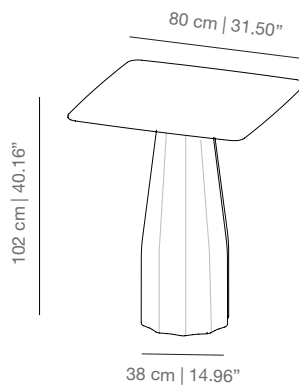
BUD100H round 100



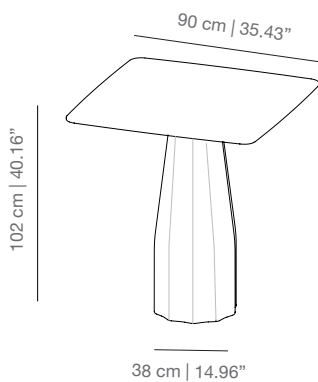
BUC70H 70x70



BUC80H 80x80



BUC90H 90x90



TECHNICAL INFO

The 30 mm thick cover or work surface is made with microtextured MDF. It is lacquered with one of our collection's finishes, making it very scratch resistant. It also comes with a solid oak veneer, stained in mate, wenge, cognac or ash. Available in high resistance materials such as HPL with MDF for heavy contract use.

FINISHES

BASE

Lacquered



white  
RAL 9003



black  
RAL 9005



sand  
NCS S3005Y50 R

TOP

Lacquered (microtexturized)



white  
RAL 9003



black  
RAL 9005



grey  
RAL 7004



tobacco  
RAL 8028



smoke  
RAL 1019



sand  
NCS S3005Y50 R



silver  
RAL 9006



red  
RAL 3001



mustard  
RAL 1012



green  
RAL 6007



blue  
RAL 5024

Stained



matt  
oak



wenge



cognac



ash

LPL



black



white

Compact laminate



white |  
white



black |  
black



white |  
black

HPL



black



white