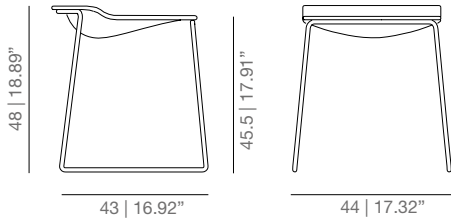
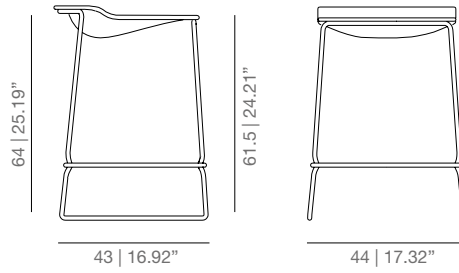


DIMENSIONS

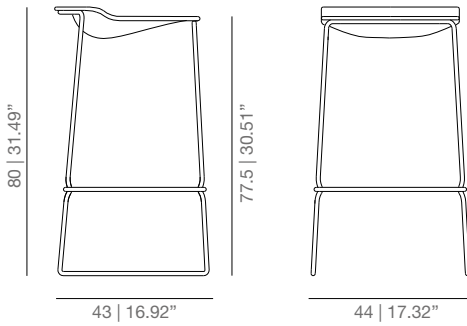
LMB low stool



LMM medium stool



LMA high stool



TECHNICAL INFO

Rotomolded polyethylene seat in black, white or sand colour or upholstered in fabric or leather.

Structure in calibrated powder coated steel in thermoreinforced polyester.

Footrest in stainless steel.

FINISHES

UPHOLSTERY

Check upholstery samples.

Polyethylene



White
RAL 9003



Black
RAL 9005



Sand
NCS 3005Y50R

STRUCTURE

Lacquered



White
RAL 9003



Black
RAL 9005



Sand
NCS 3005Y50R