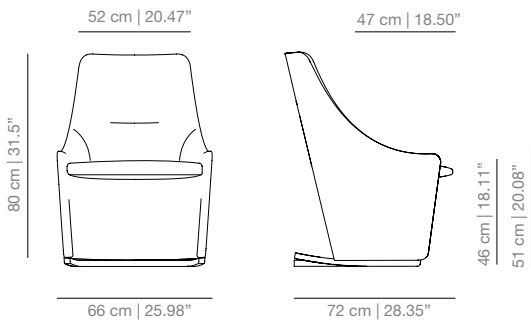
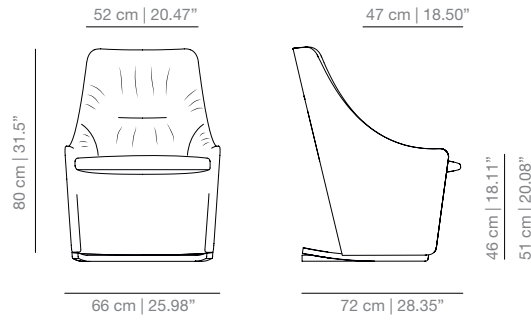


DIMENSIONS

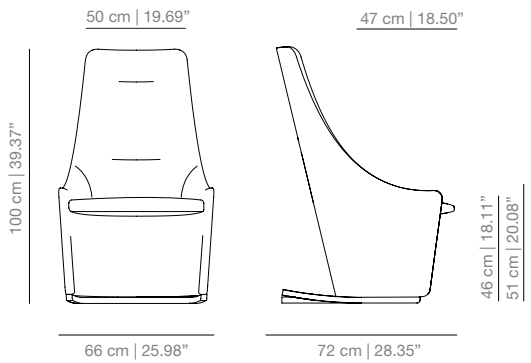
NAGIB low fixed armchair smooth upholstery
NAGIBSM low rocking armchair smooth upholstery



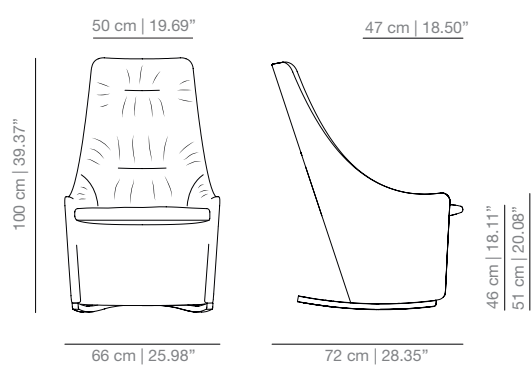
NAGIBS low fixed armchair soft upholstery
NAGIBSM low rocking armchair soft upholstery



NAGI high fixed armchair smooth upholstery
NAGISM high rocking armchair smooth upholstery

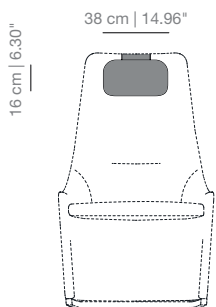


NAGIS high fixed armchair soft upholstery
NAGISM high rocking armchair soft upholstery

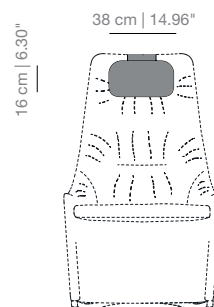


ACCESSORIES

NAGIRE headrest



NAGIRE headrest



TECHINICAL INFO

Inferior structure (fixed and rocking) in calibrated steel tube with brass finish or powder coated in thermoreinforced polyester, in black, white, altea blue and fluorescent orange. Internal steel tube and sheet structure.

Undeformable moulded Fire Retardant polyurethane foam.
(Certificates CAL117 and CL 1 IM).

FINISHES

UNPHOLSTERY

Check unholstery samples

STRUCTURE



brass

Powder coated



white
RAL 9003



black
RAL 9005



altea blue
RAL 5000



fluorescent orange
RAL 2005

CERTIFICATES

UNE EN 16139:13
ANSI BIFMA X5. 1-20011

