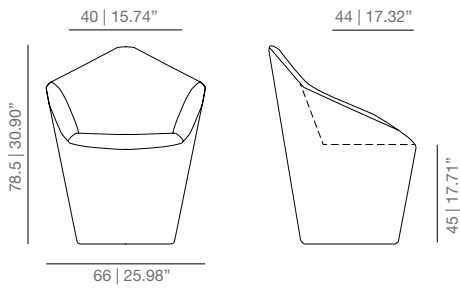
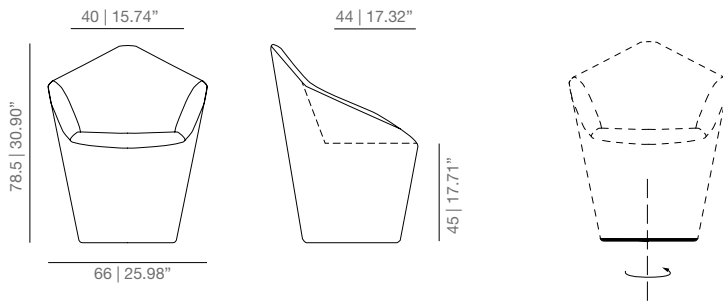


DIMENSIONS

PE fixed armchair



PEG swivel base armchair



TECHNICAL INFO

Internal steel tube and sheet structure.
 Undeformable moulded Fire Retardant polyurethane foam. (Certificates CAL117 and CL 1 IM).
 Fabric or leather.

FINISHES

UPHOLSTERY

Check upholstery samples.

CERTIFICATES

UNE EN 15373:07
 UNE EN 1022:05

